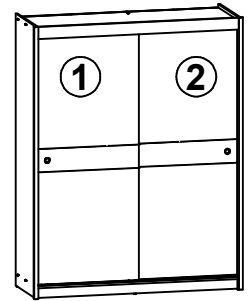


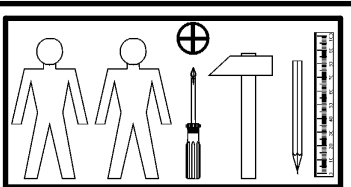
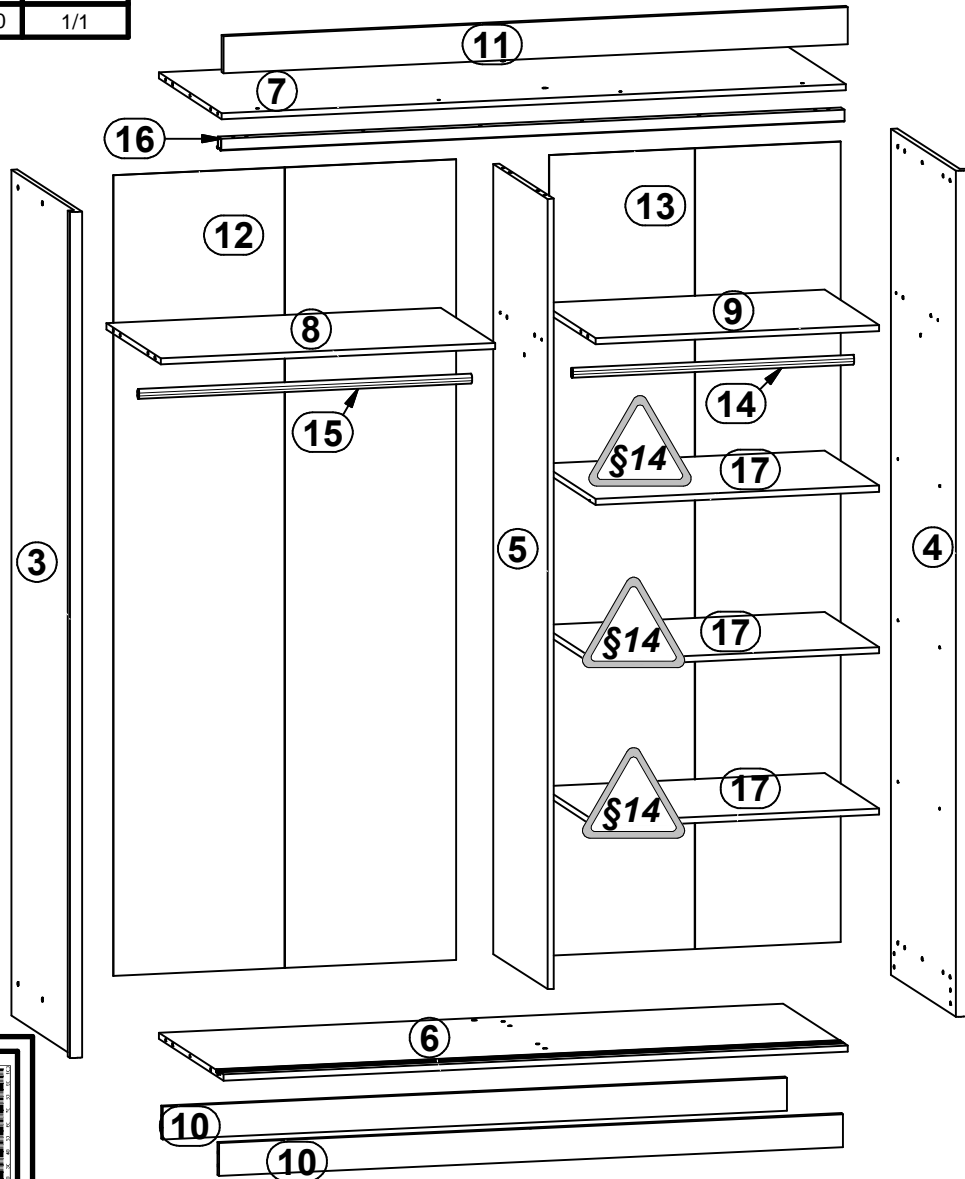
# OREN

## L18-SZF/160

A	B	C	D	A	B	C	D		
1	L18-001	1870	780	3/3	9	L18-304	700	500	2/3
2	L18-002	1870	780	3/3	10	L18-401	1540	80	2/3
3	L18-101	2050	600	1/3	11	L18-402	1540	90	2/3
4	L18-102	2050	600	1/3	12	L18-901	1940	845	1/3
5	L18-103	1915	500	1/3	13	L18-902	1940	719	1/3
6	L18-301	1540	595	2/3	14	dr-694	694	22	2/3
7	L18-302	1540	580	2/3	15	dr-821	821	22	2/3
8	L18-303	825	500	2/3	16	w16\10	1538	43	2/3

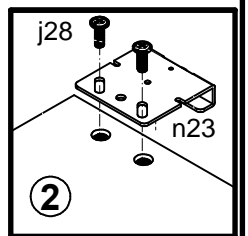
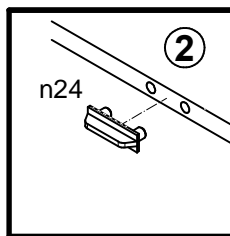
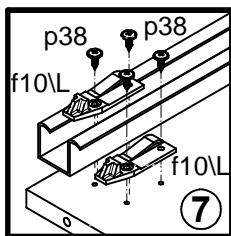
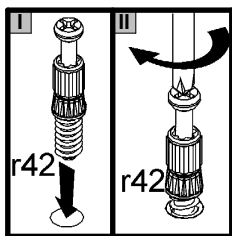
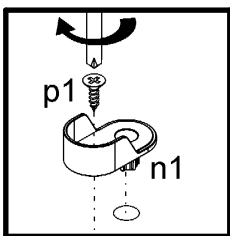
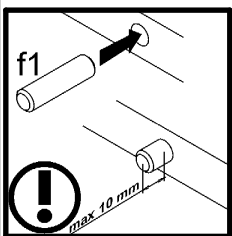
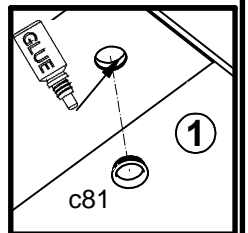
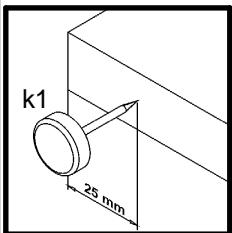
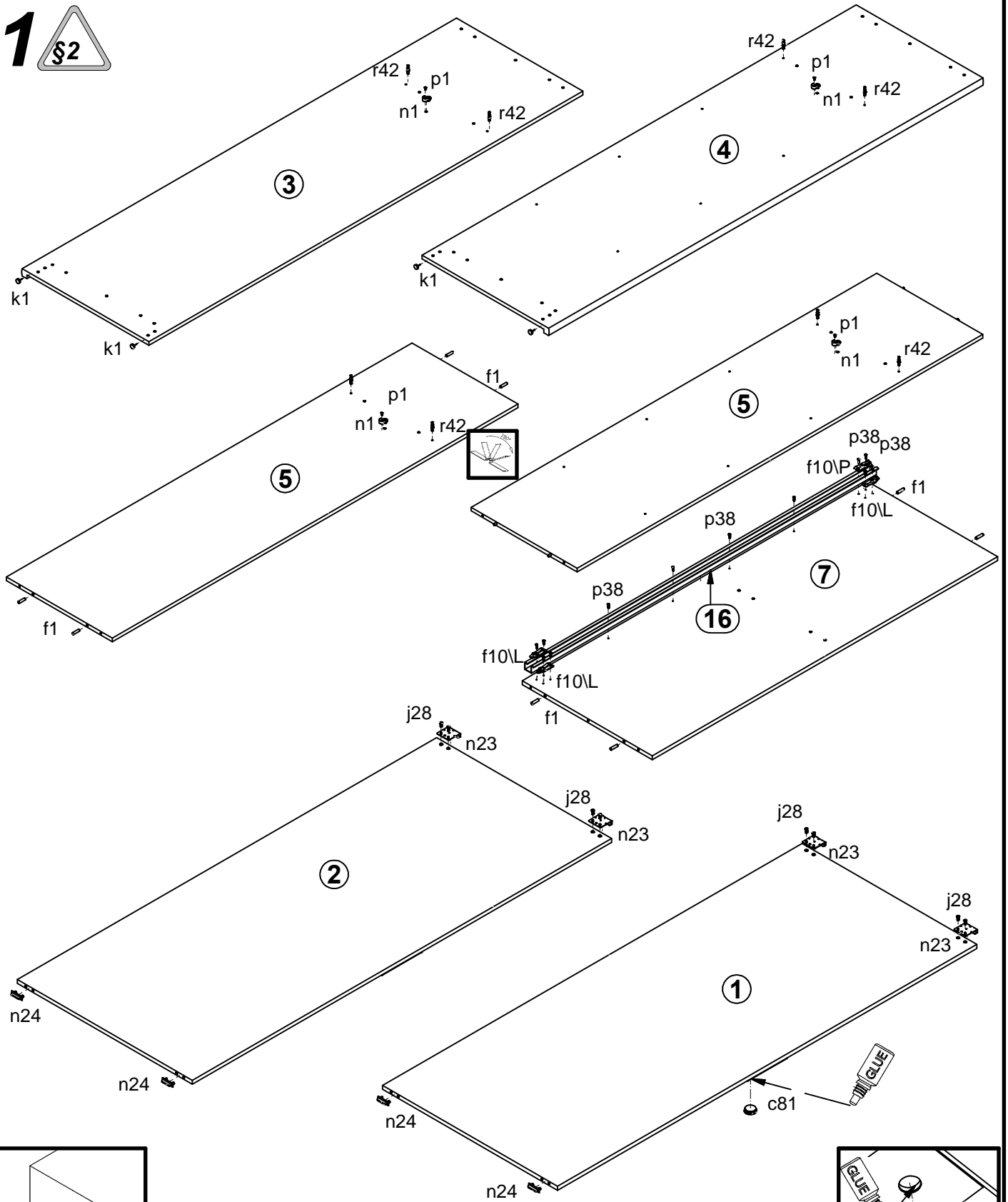


A	B	C	D	
17	L18-305	700	500	1/1

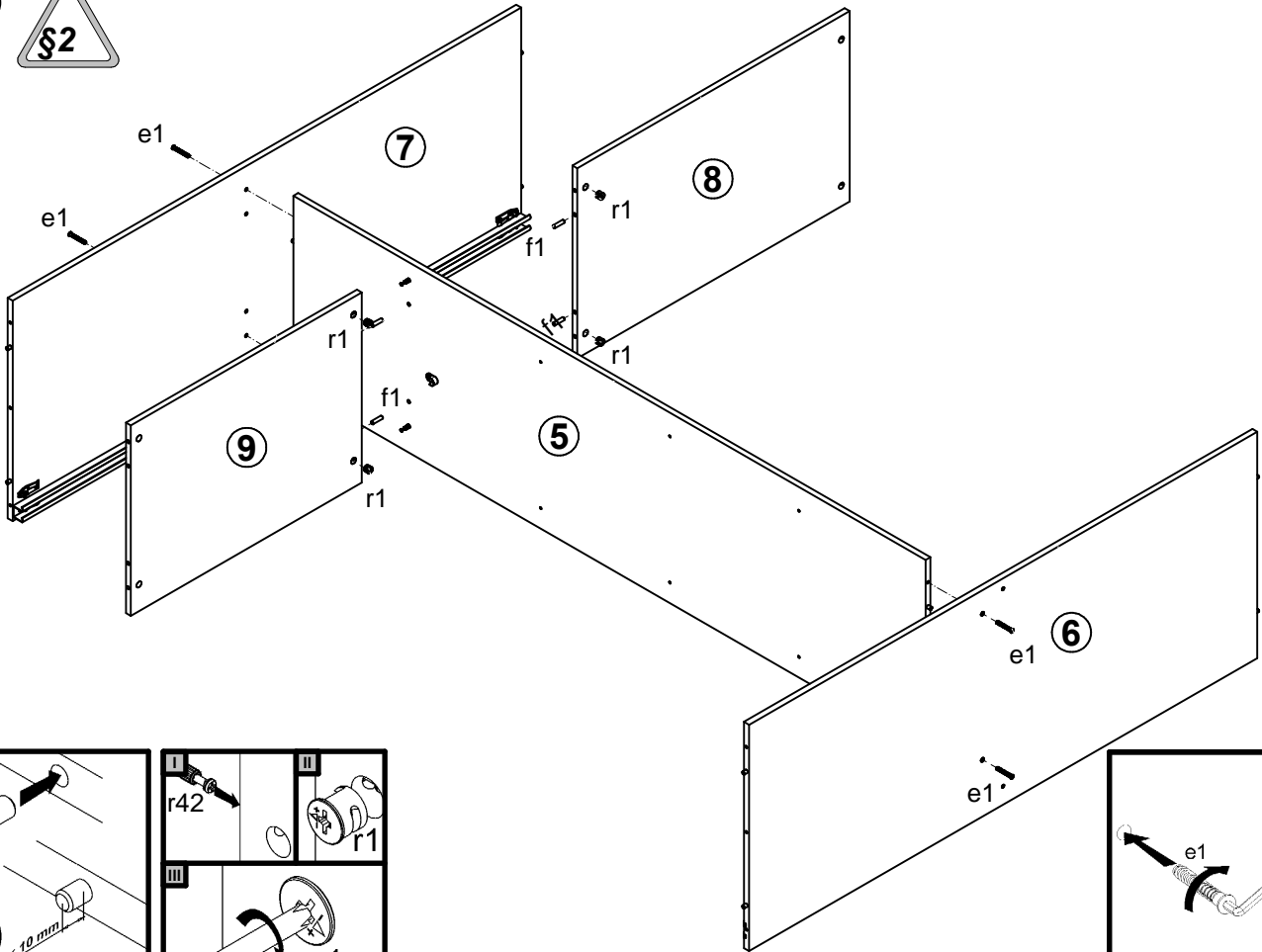


2x  c81	8x  r42	18x  e1 φ7x50 mm	8x  e2 φ6,3x13 mm	4x  j83 M4x16 mm	28x  f1 φ8x30 mm	2x  f10/L	2x  f10/P	8x  j28 M5x14 mm				
6x  k1	130x  l1	4x  n1	4x  n129 47x20x16\1 mm	4x  n23	4x  n24	4x  p1 φ3,5x13 mm	12x  p38 φ3,5x16 mm	8x  r1 φ15x12mm #16				
		12x  d1 φ5x17 mm							14x  s1	8x  s2 ø16	1x  z1	1x  y1

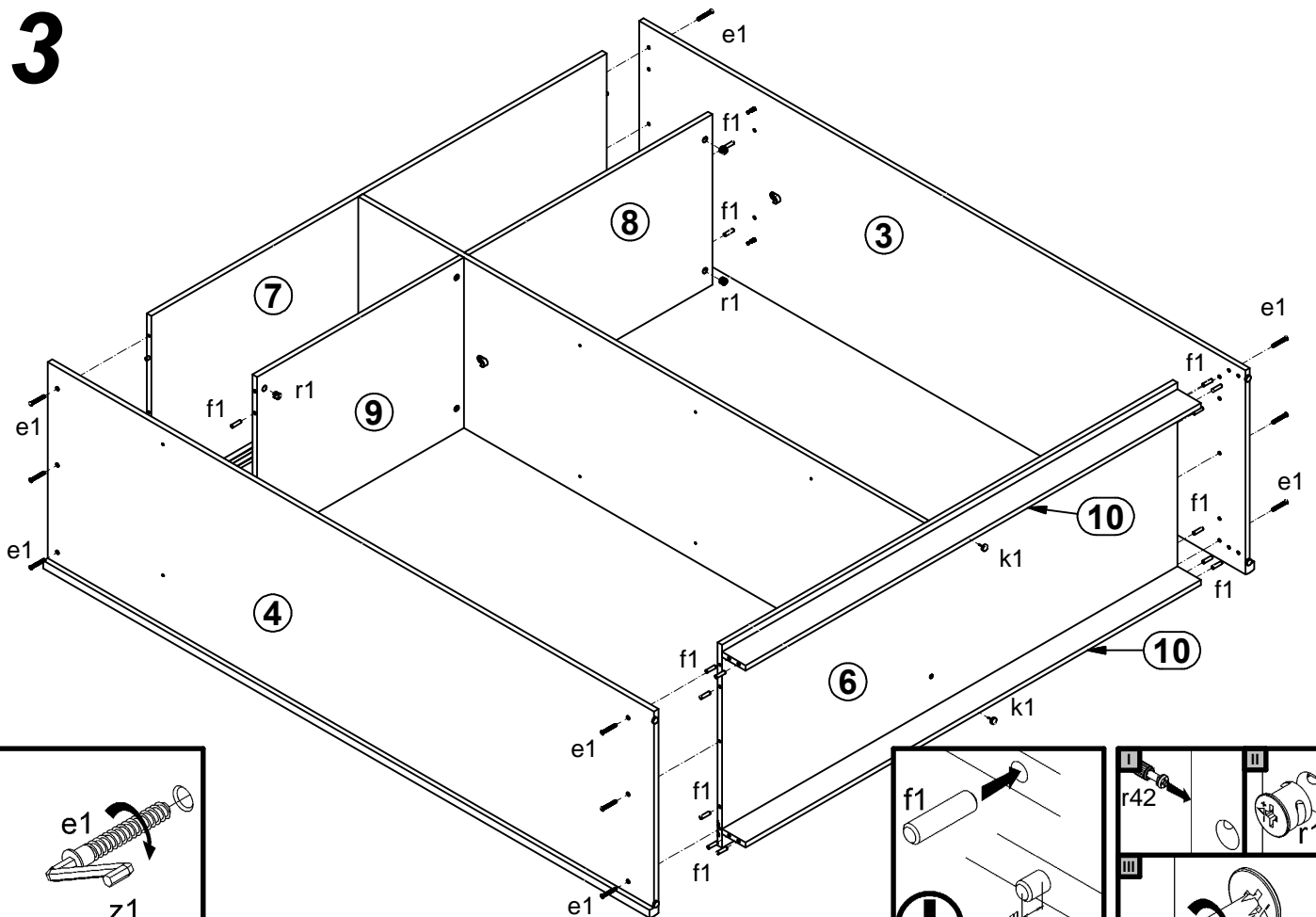
**1** 



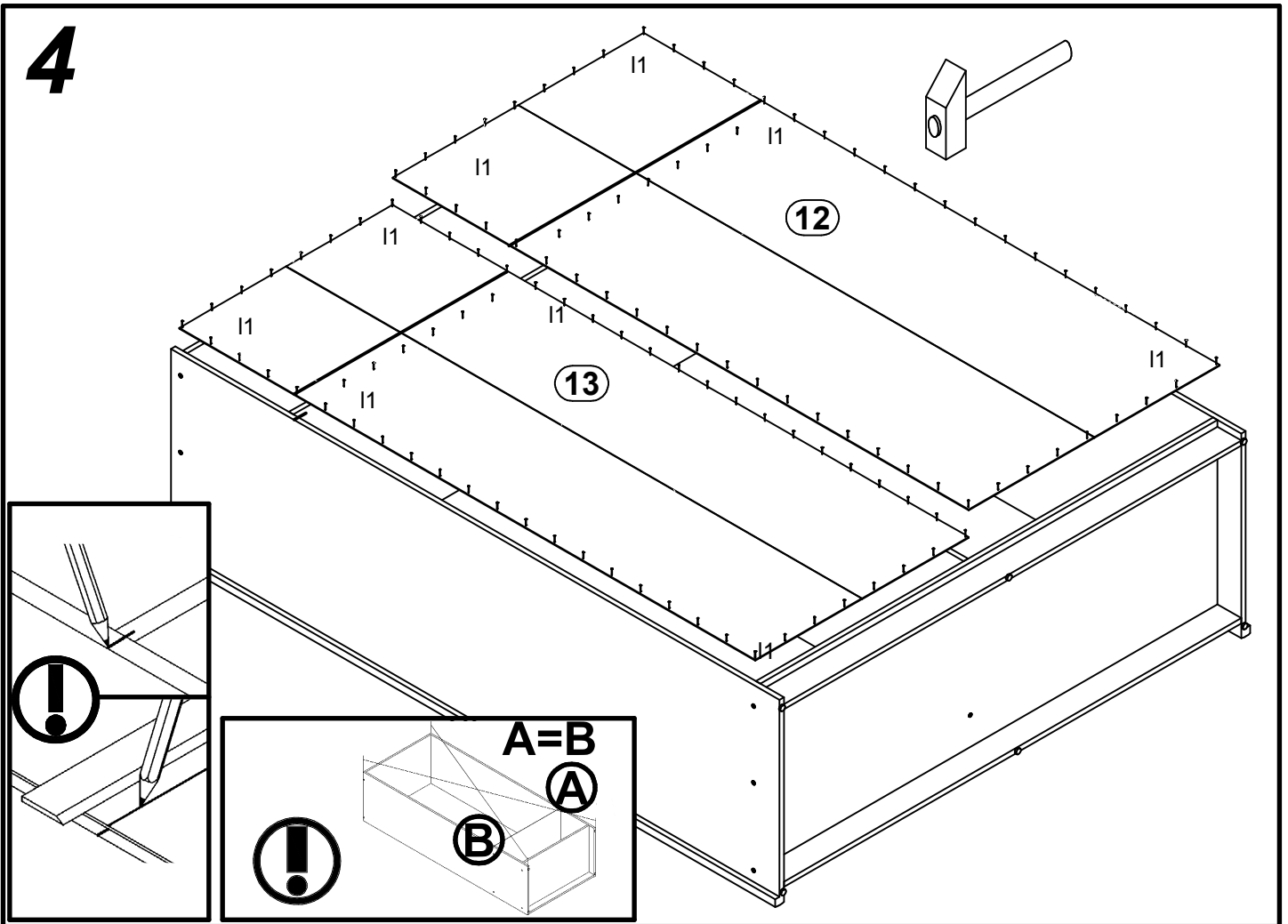
# 2



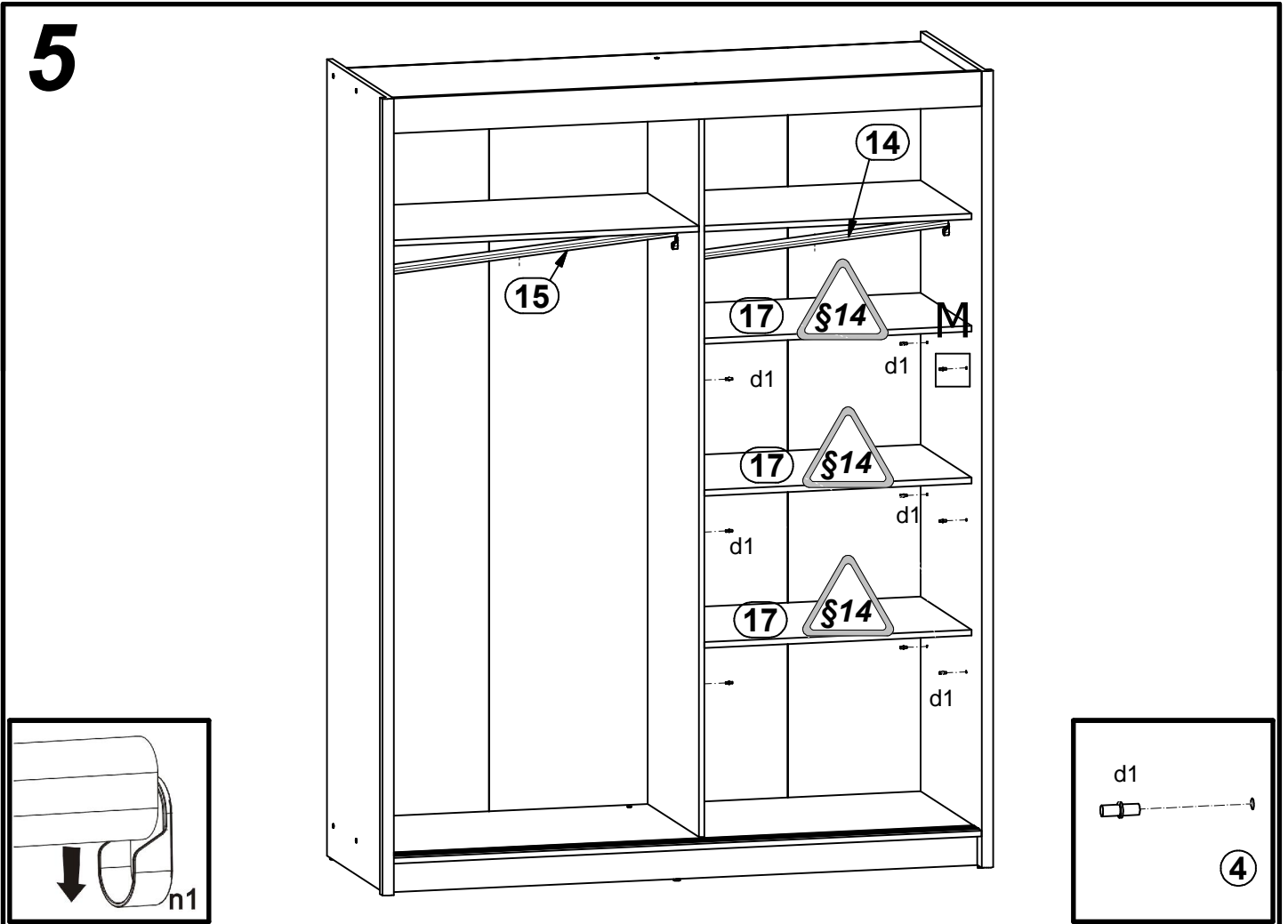
# 3



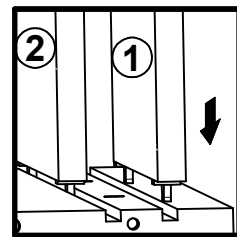
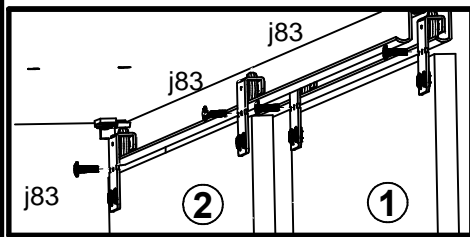
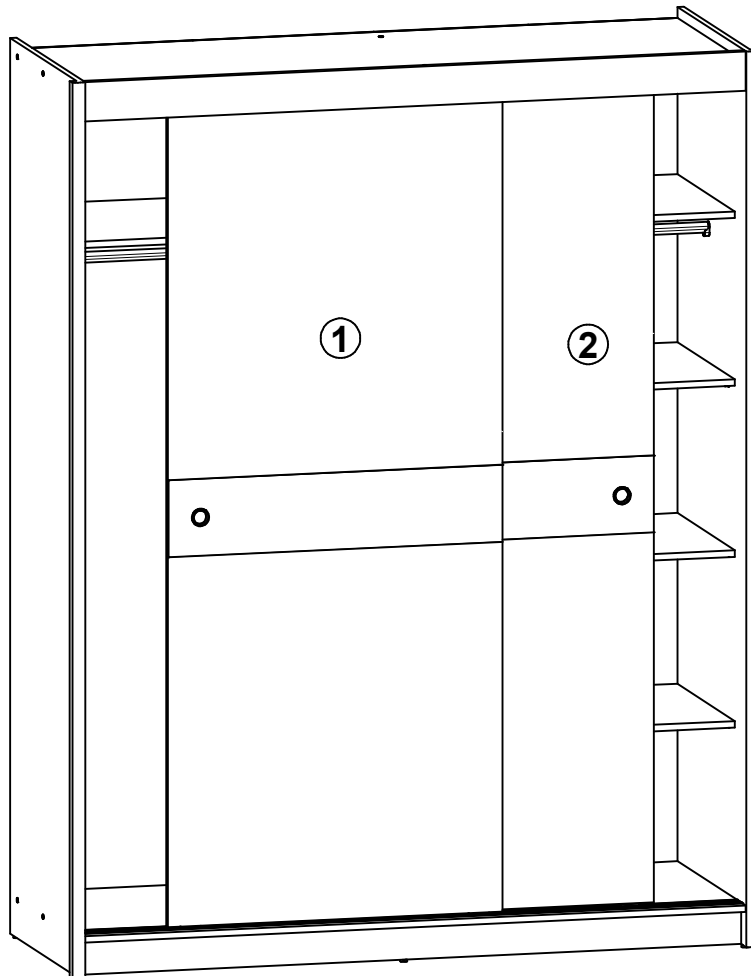
# 4



# 5



# 6



# 7

