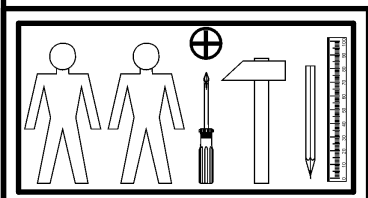
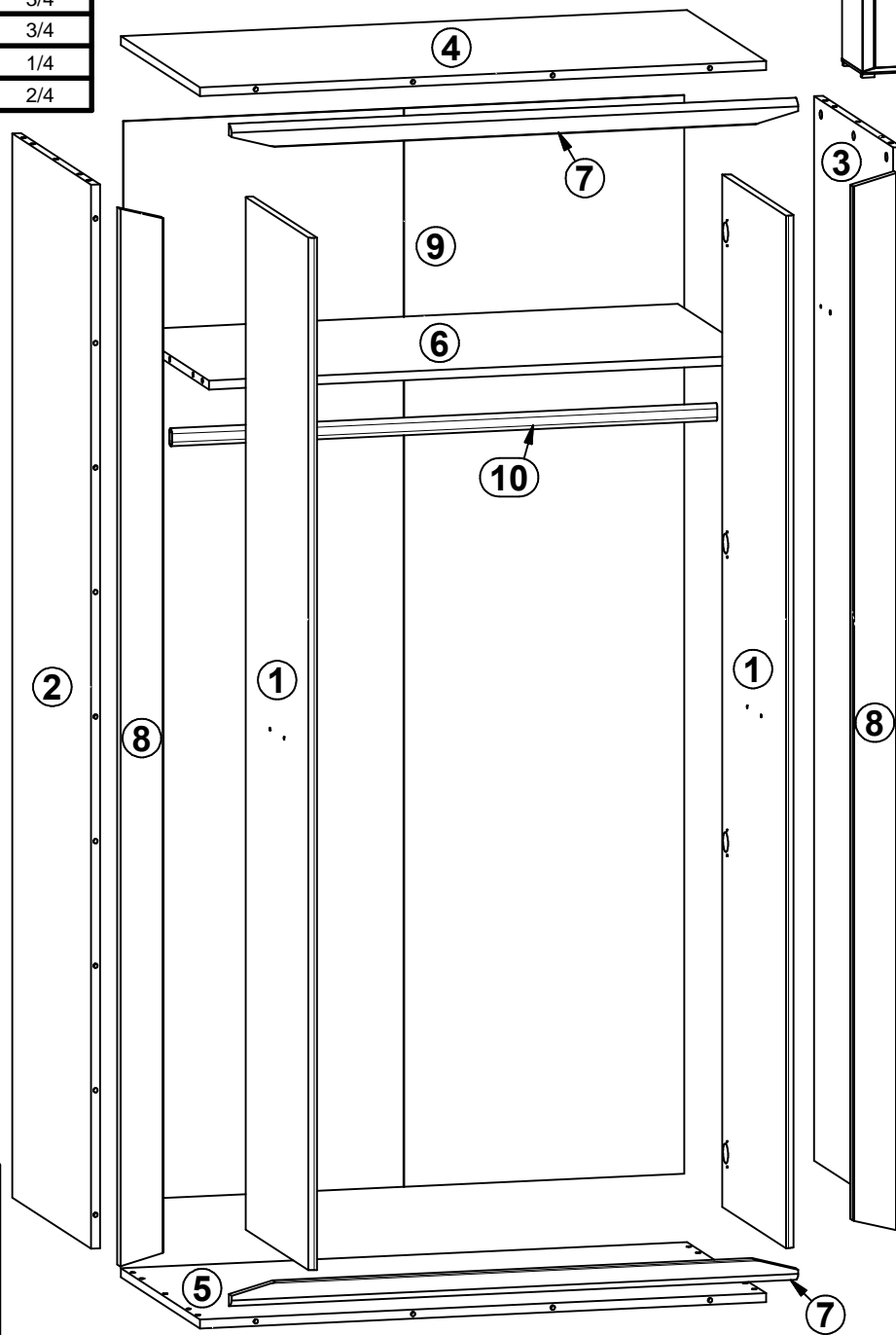
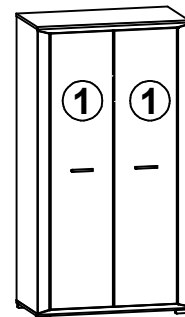


PALEMO

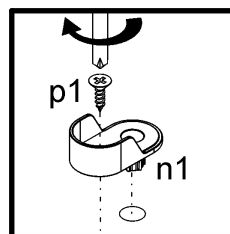
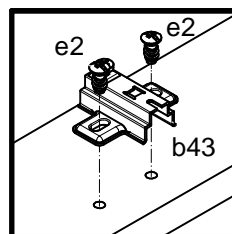
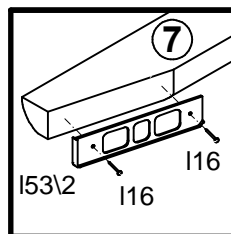
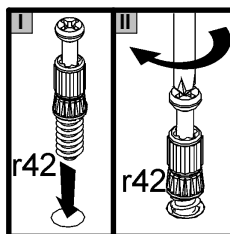
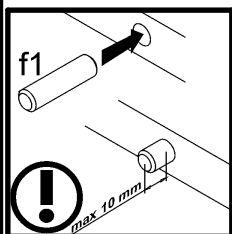
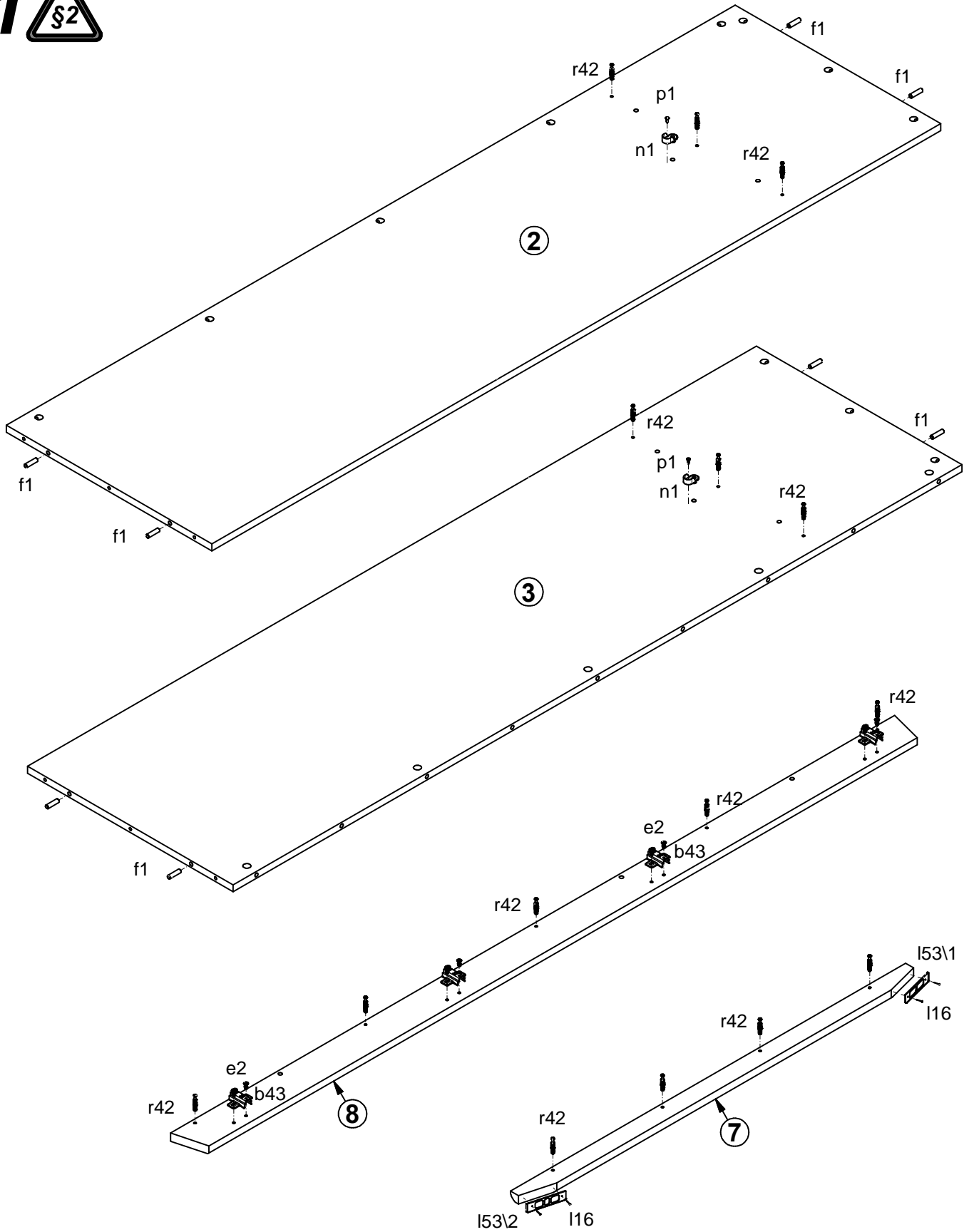
S159-SZF2D

A	B	C	D
1	S159-008	1857	435
2	S159-120	1914	540
3	S159-121	1914	540
4	S159-211	1037	540
5	S159-212	1037	540
6	S159-304	1003	540
7	S159-571	1038	42
8	S159-579	1902	80
9	S159-912	1940	1027
10	dr-999	999	30

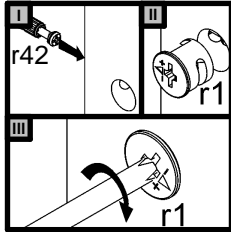
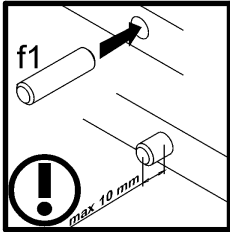
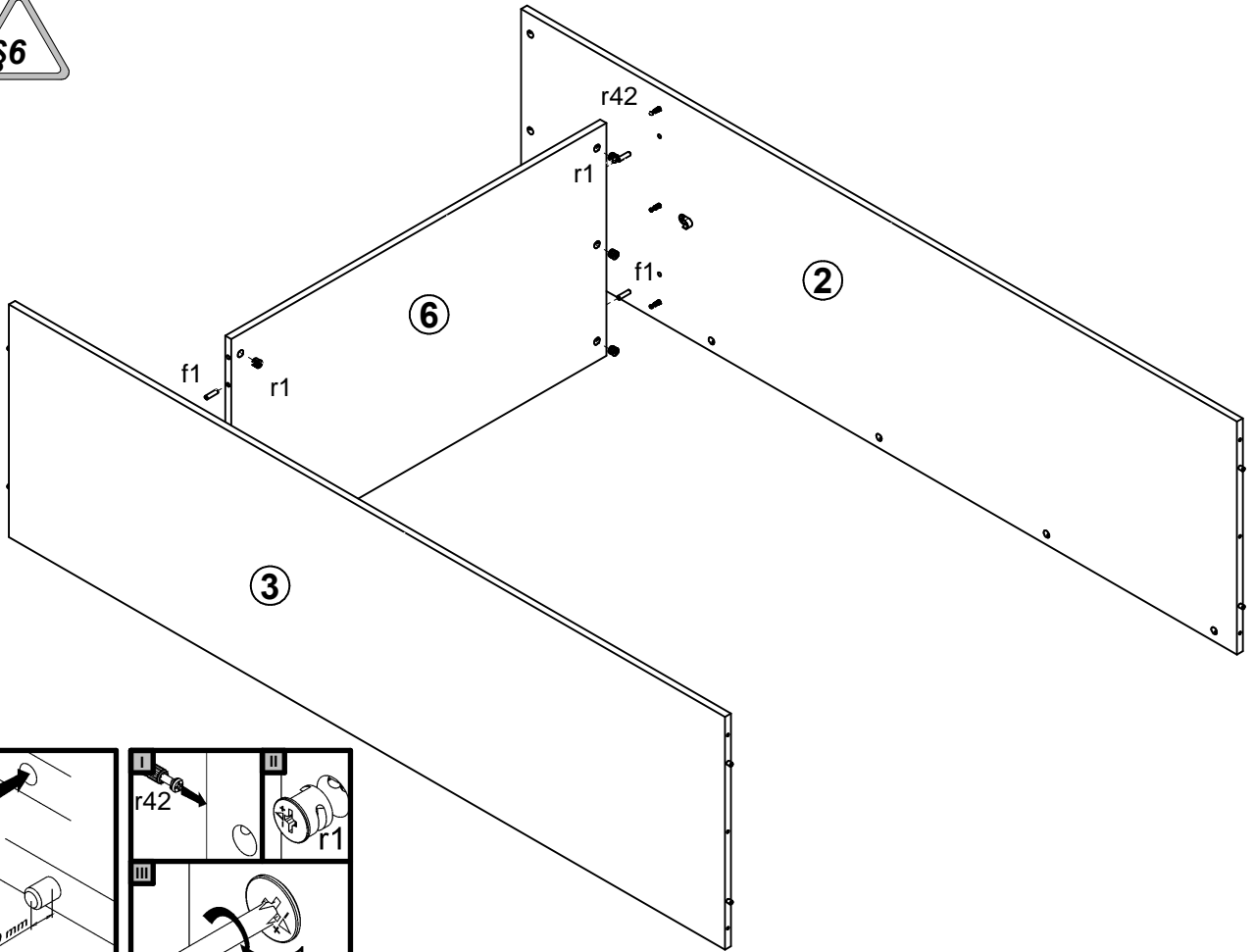


8x a99	8x b43	2x c335	6x e1 φ7x50 mm	16x e2 φ6,3x13 mm	20x f1 φ8x30 mm	4x k77 84x40x25mm	70x l1	8x l16 1,0x12 mm
2x i53/1	2x i53/2	2x n1	2x p1 φ3,5x13 mm	8x p36 φ4x25 mm	16x p51 φ3,5x15 mm	4x p60 φ4x22 mm	30x r1 φ15x12mm #16	30x r42
20x s2 ø16	1x z1	1x n26/1	1x p38 φ3,5x16 mm					

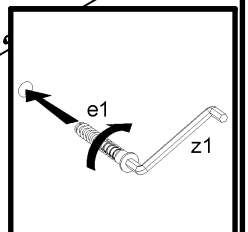
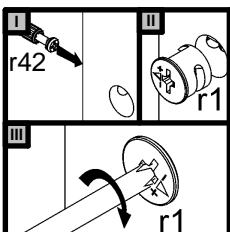
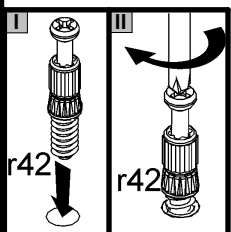
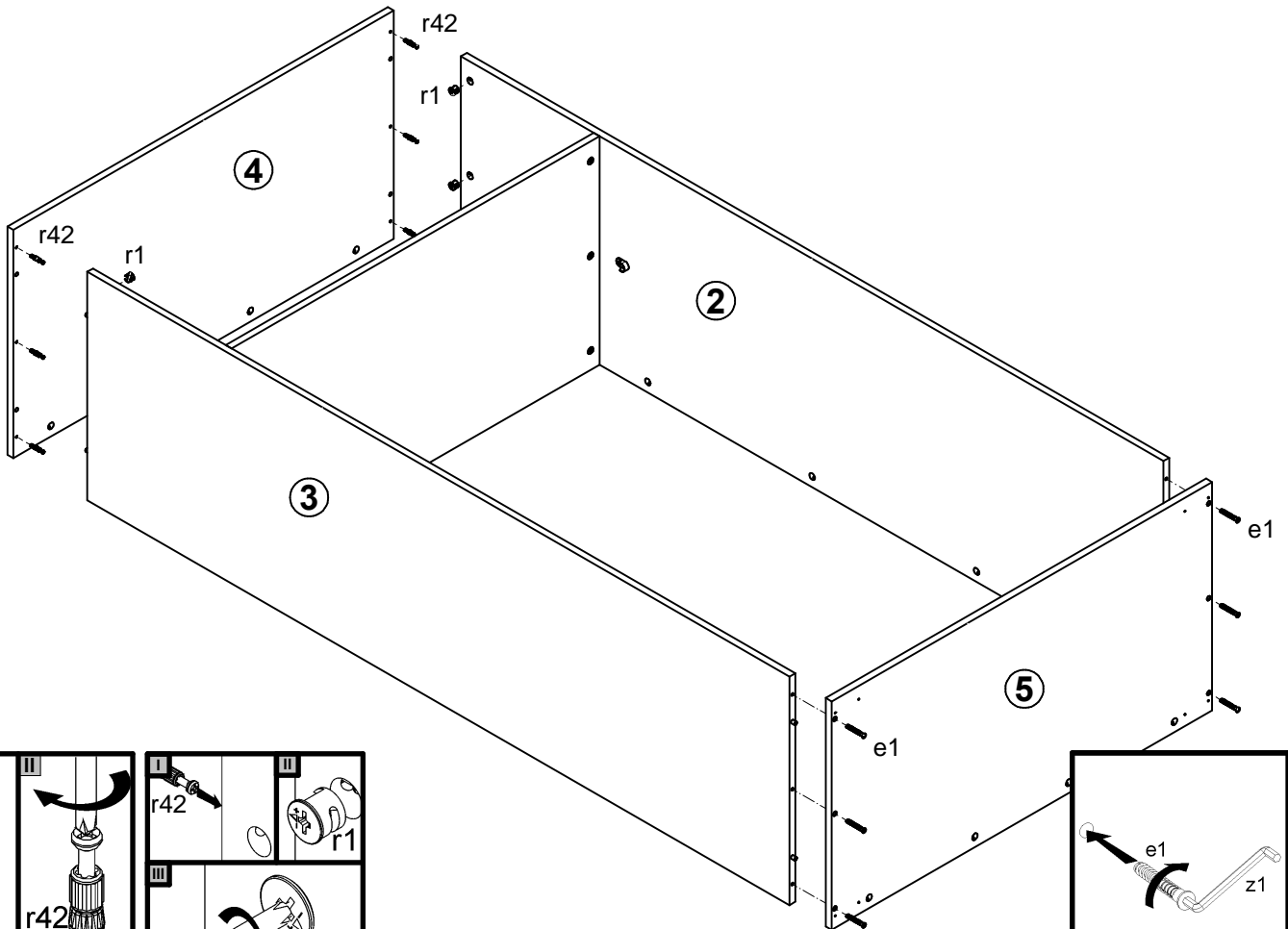
1 

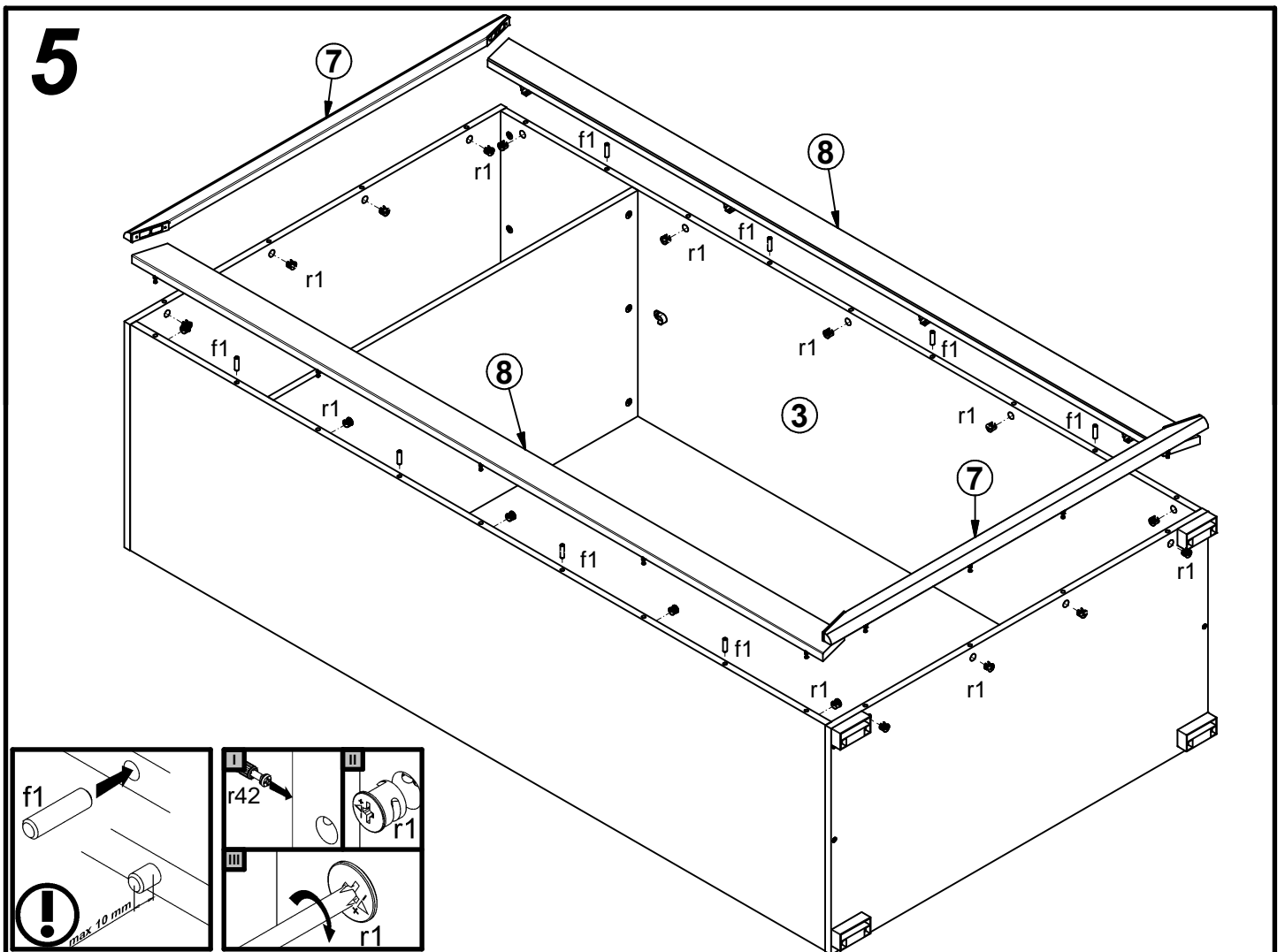
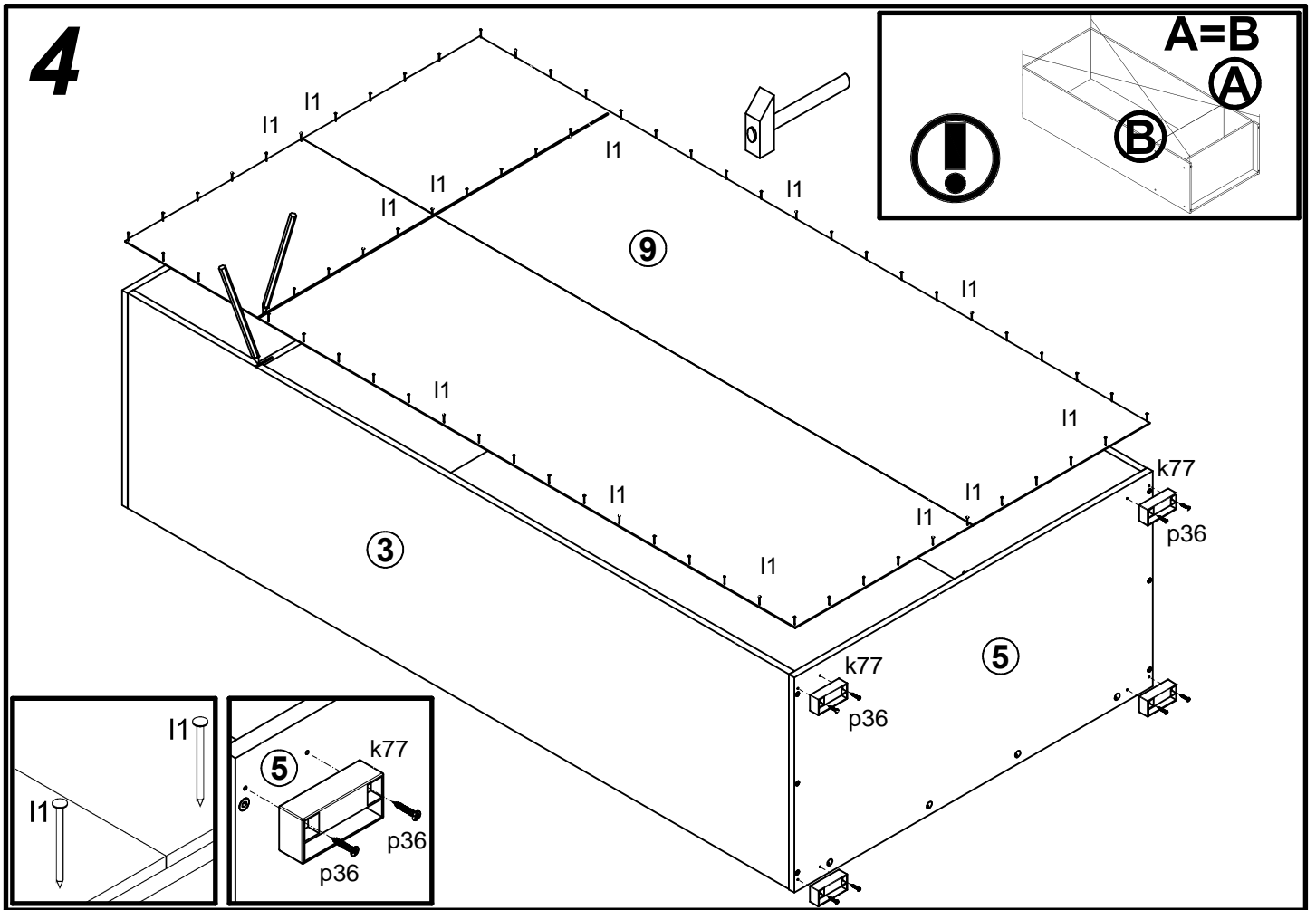


2



3





6

