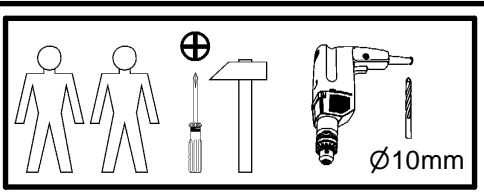
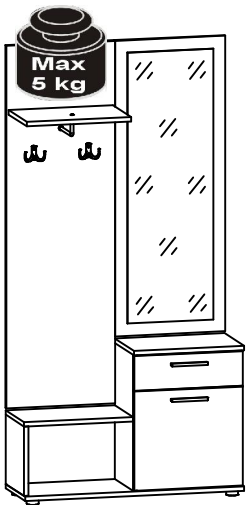
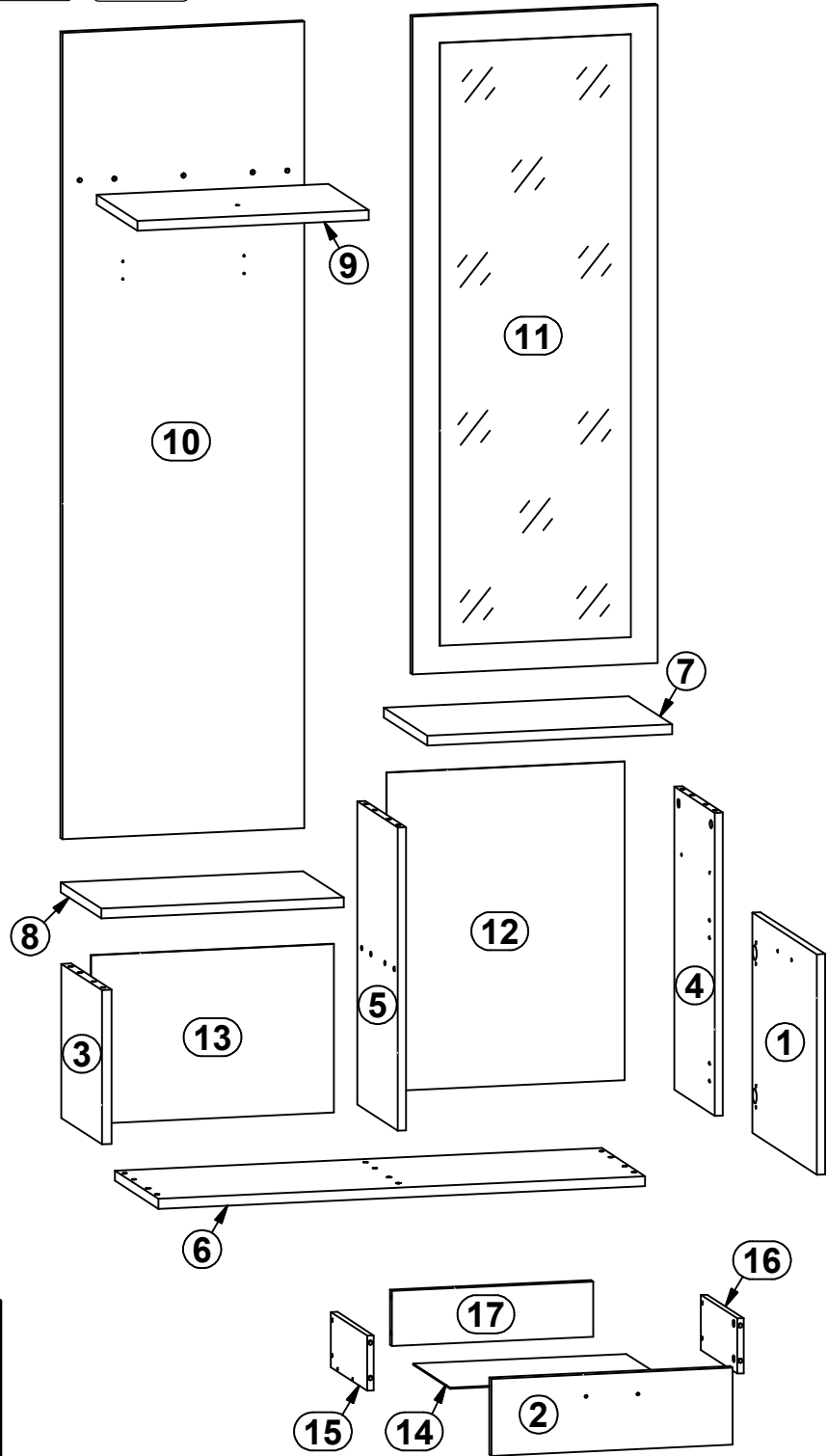


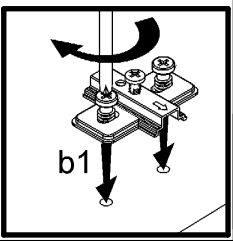
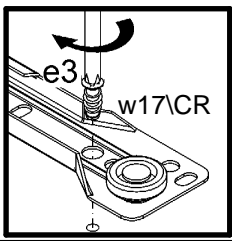
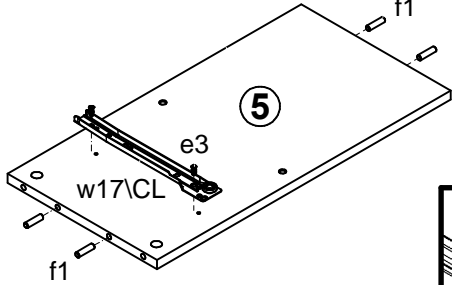
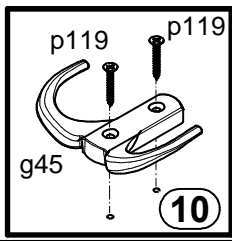
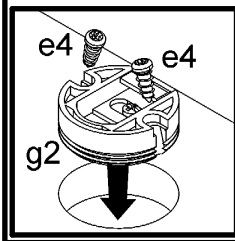
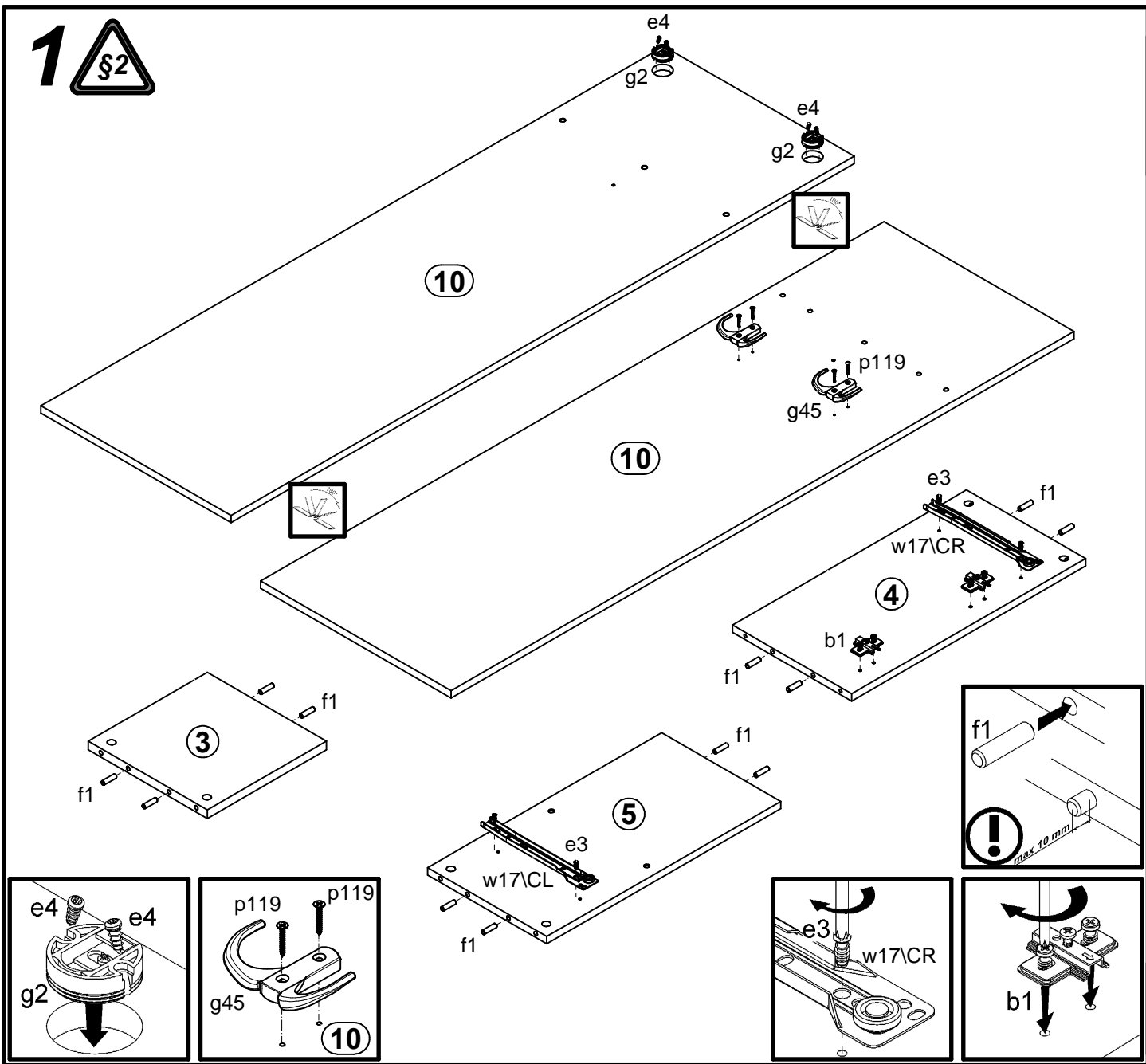
M120-PPK

A	B	C	D
1	M120-001	400	446
2	M120-002	446	140
3	M120-101	280	280
4	M120-102	550	280
5	M120-103	550	280
6	M120-201	900	300
7	M120-202	453	300
8	M120-203	448	280
9	M120-301	428	280
10	M120-401	1464	447
11	M120-402	1194	453
12	M120-901	578	440
13	M120-902	306	449
14	M120-903	394	255
15	ZS3-521	250	100
16	ZS3-522	250	100
17	ZS3-5529	372	100

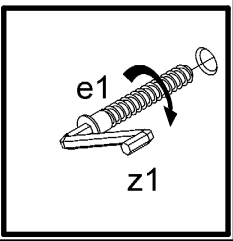
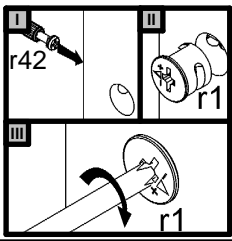
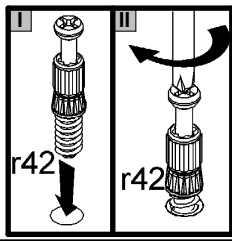
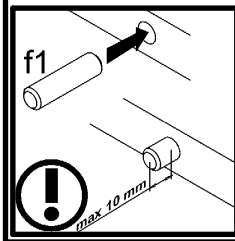
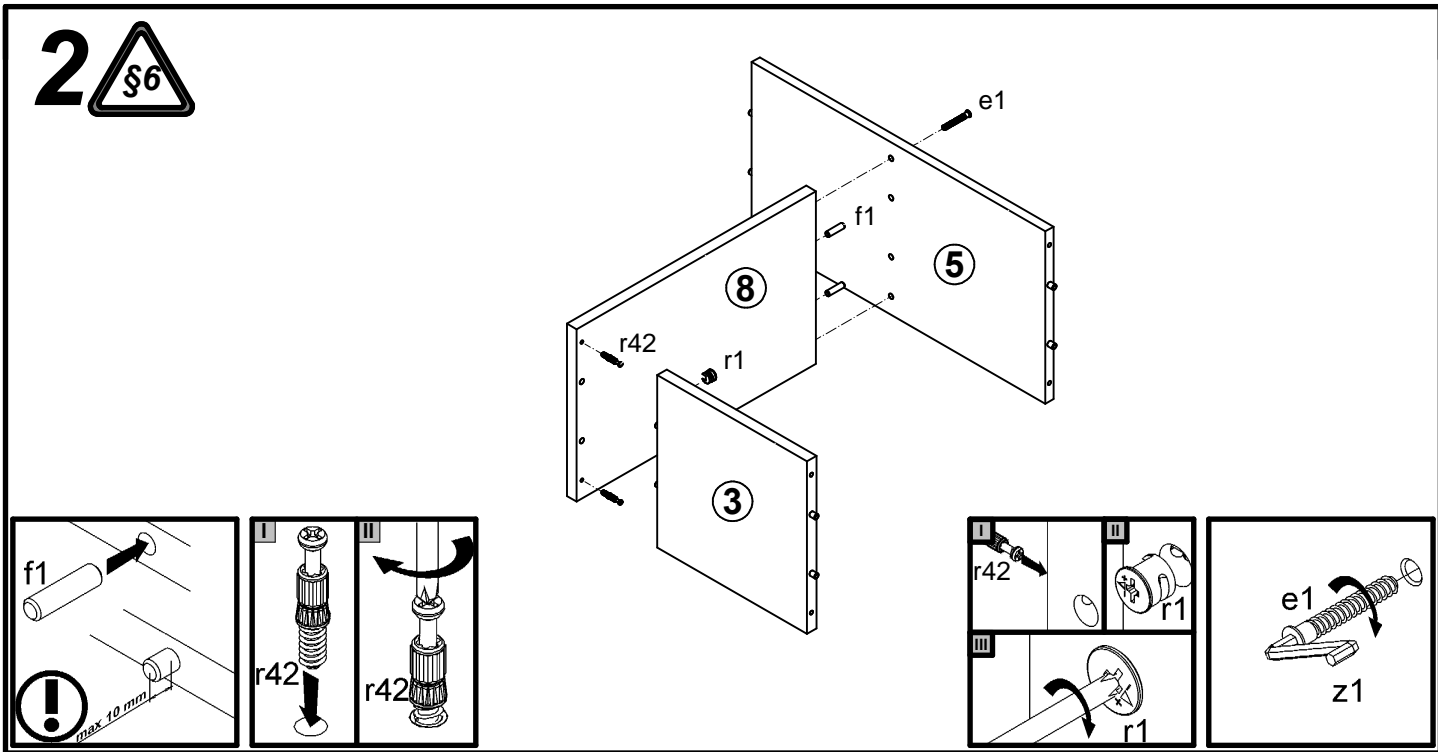


2x a2	2x b1	2x L=96/128 mm c235	11x Ø7x50 mm e1	4x Ø5x9 mm e19	4x Ø6x13 mm e3	4x Ø5x11 mm e4	16x Ø8x30 mm f1	4x Ø6.5x40 mm f25
4x Ø10x50 mm f35	2x g2	1x g30	2x g45	4x k27	35x l1	4x Ø3.5x24 mm p119	2x Ø4x35 mm p26	4x Ø3.5x16 mm p38
4x Ø4x22 mm p60	4x Ø6x60 mm p75	6x Ø15x12 mm #16 r1	4x Ø12x10.5 mm #12 r15	10x r42	2x s1	4x Ø16 s2	1x 250 mm w17\CL	1x 250 mm w17\CR
1x 250 mm w17\DL	1x 250 mm w17\DR	1x z1						

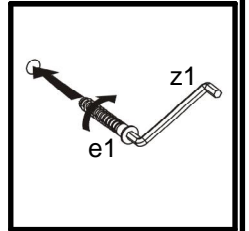
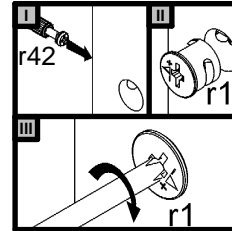
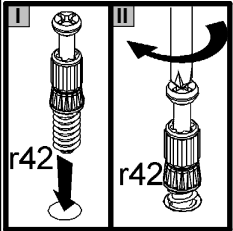
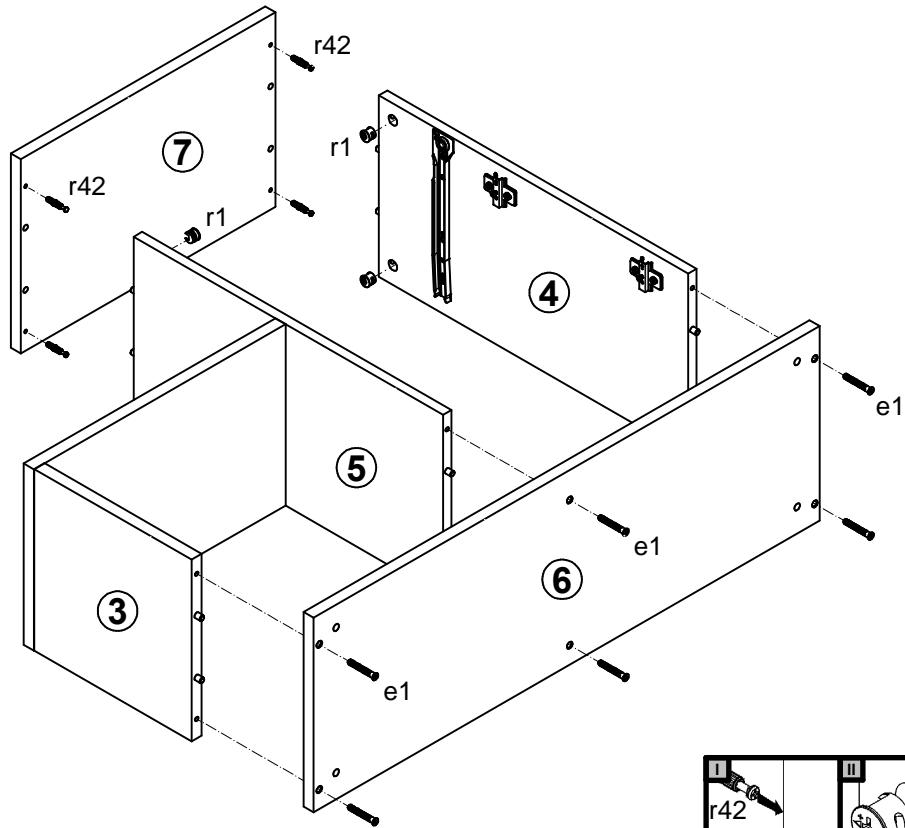
1 §2



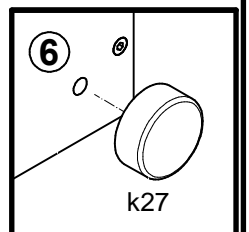
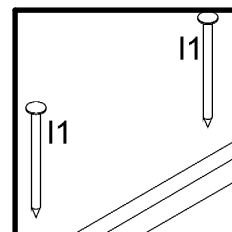
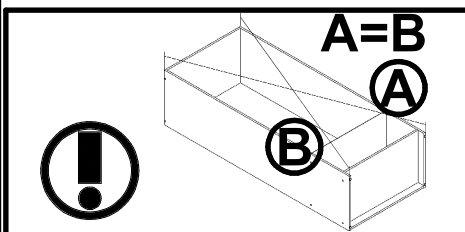
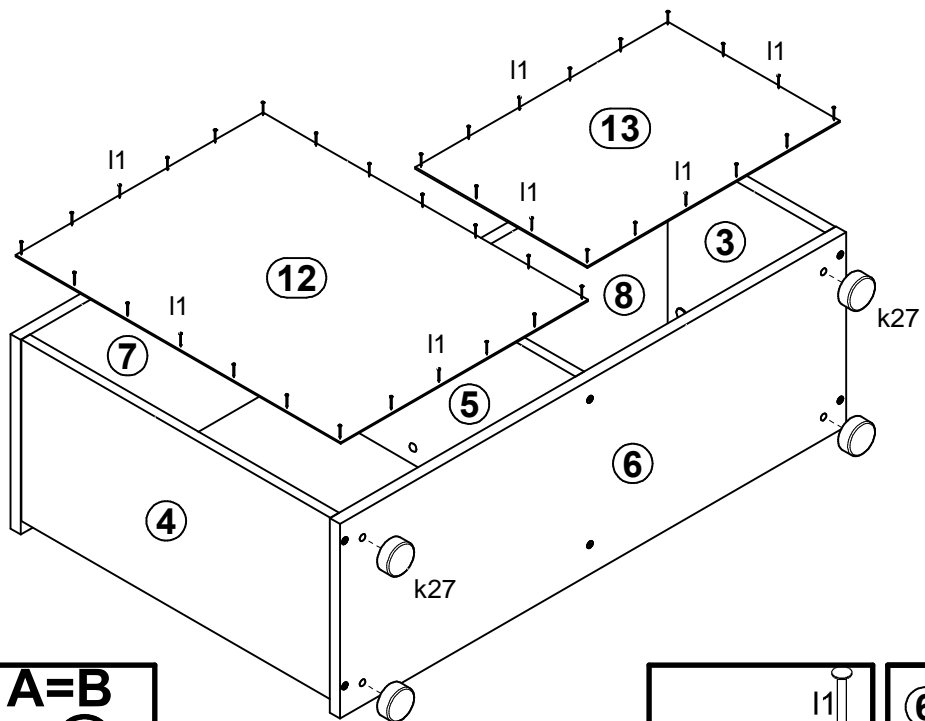
2 §6



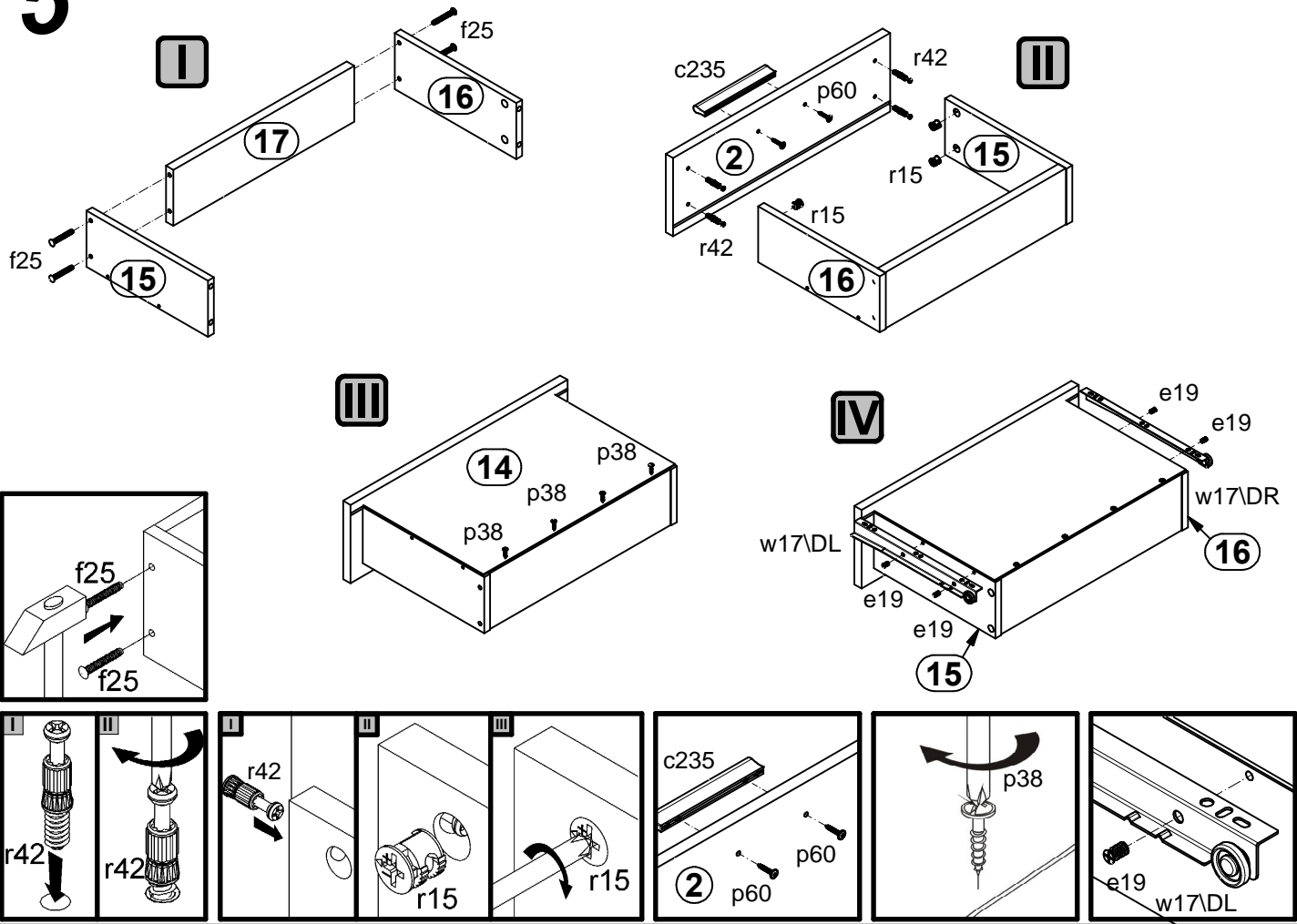
3



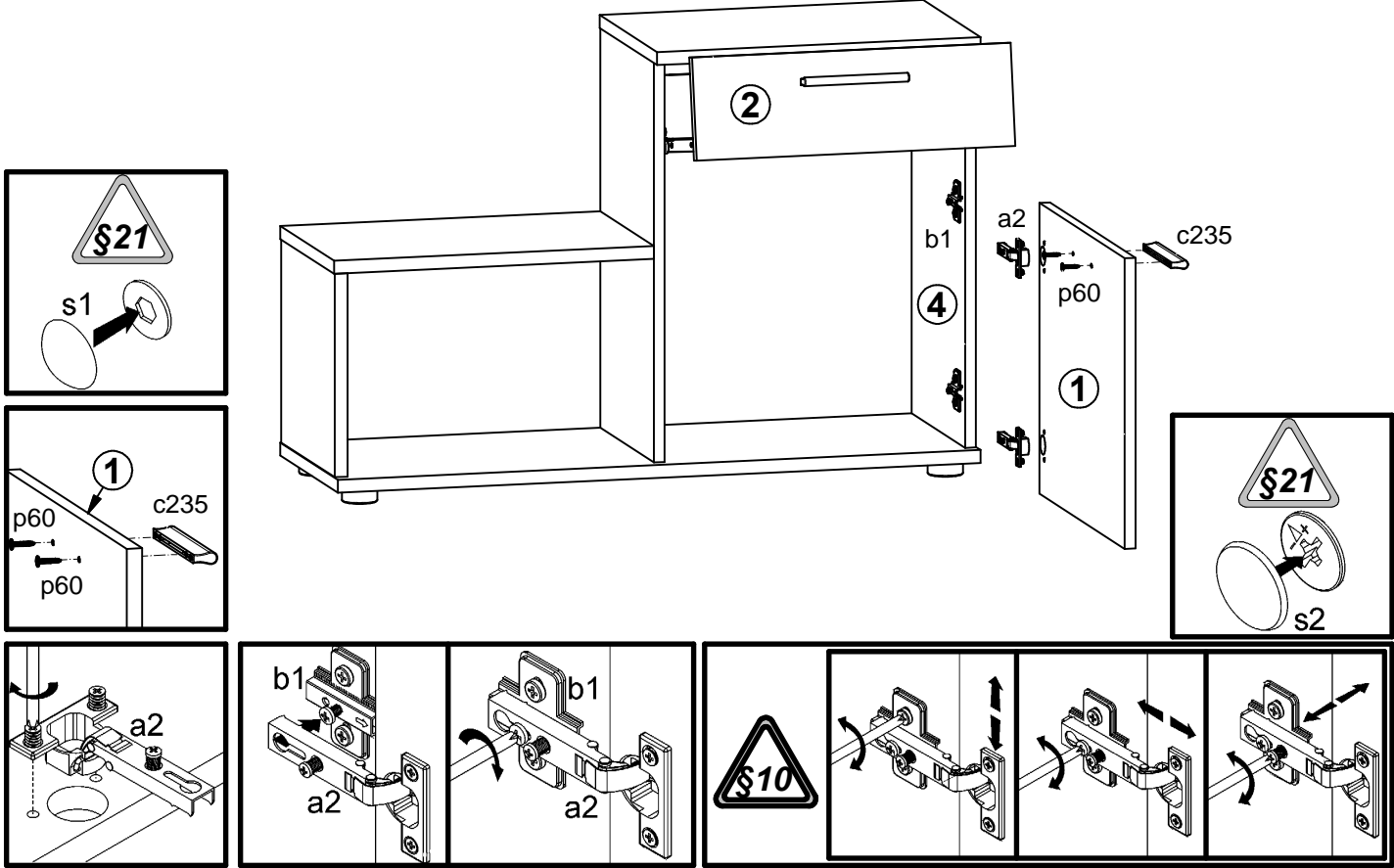
4



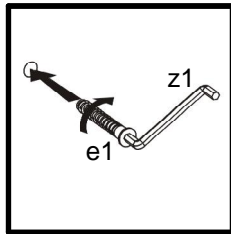
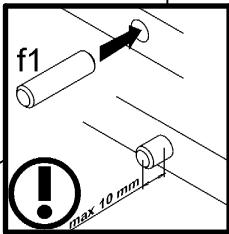
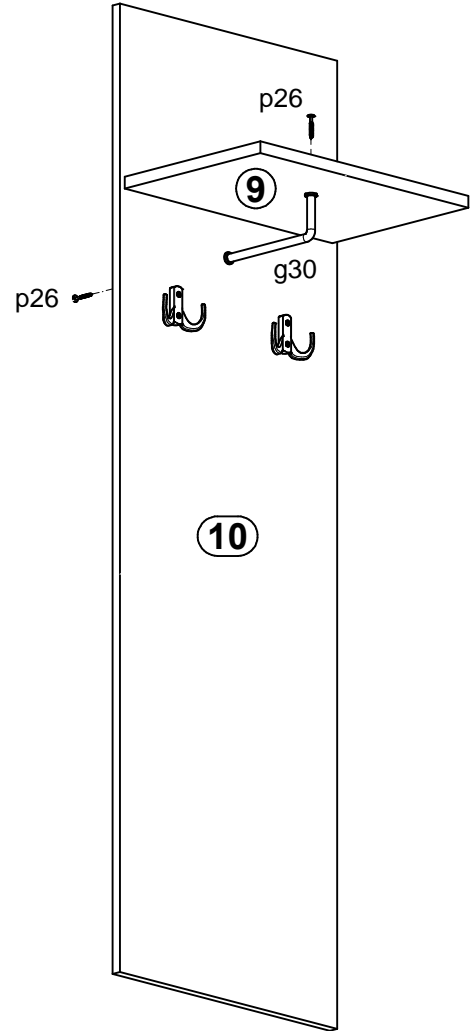
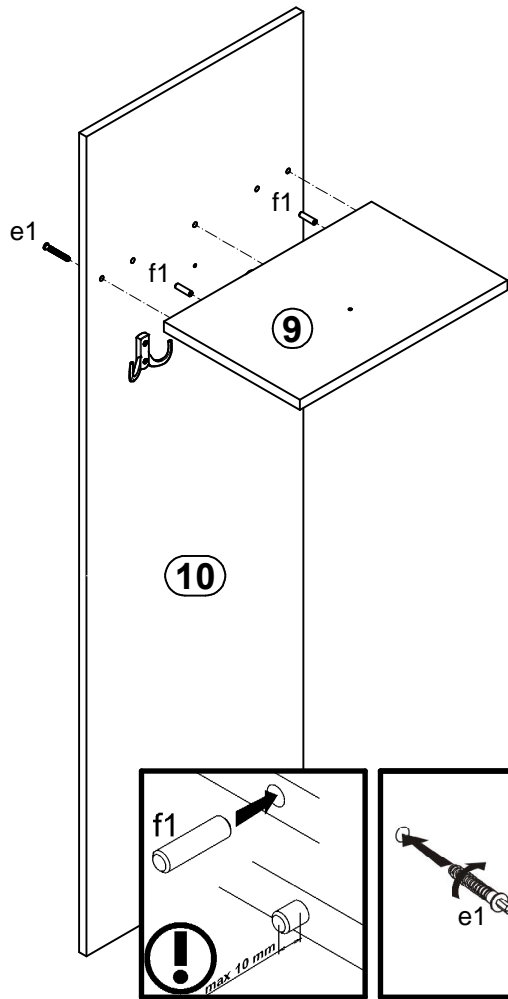
5



6



7



8

