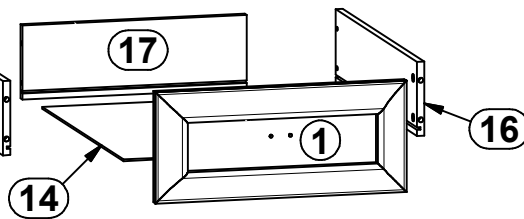
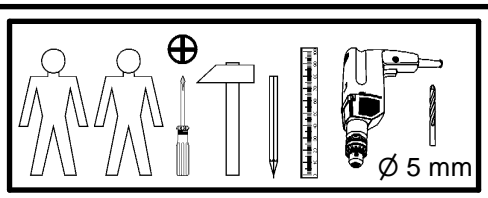
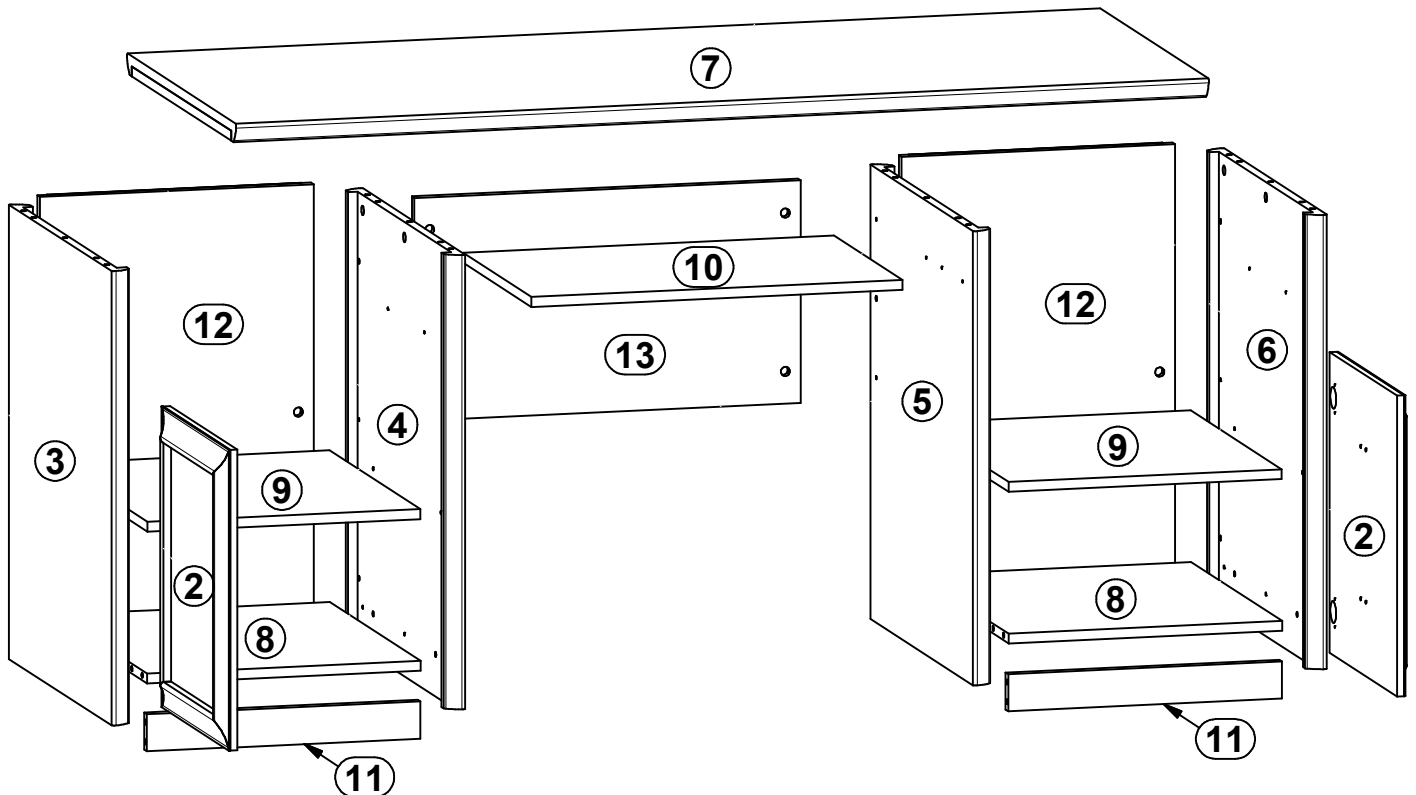
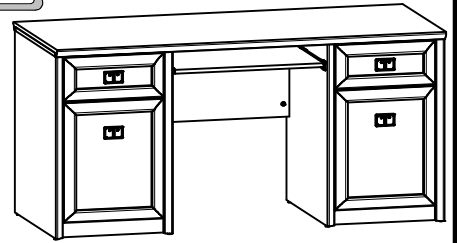


BOLDEN

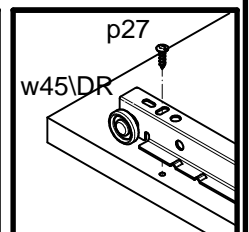
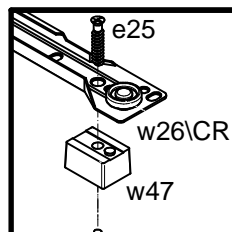
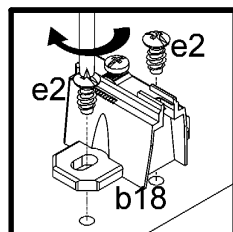
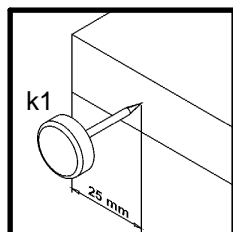
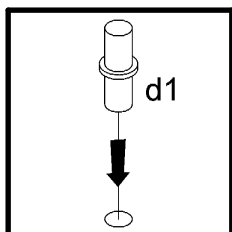
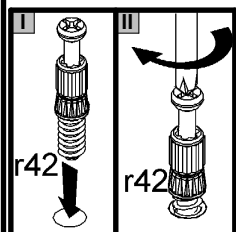
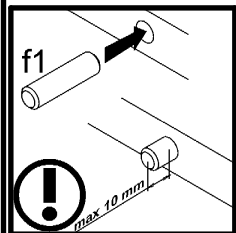
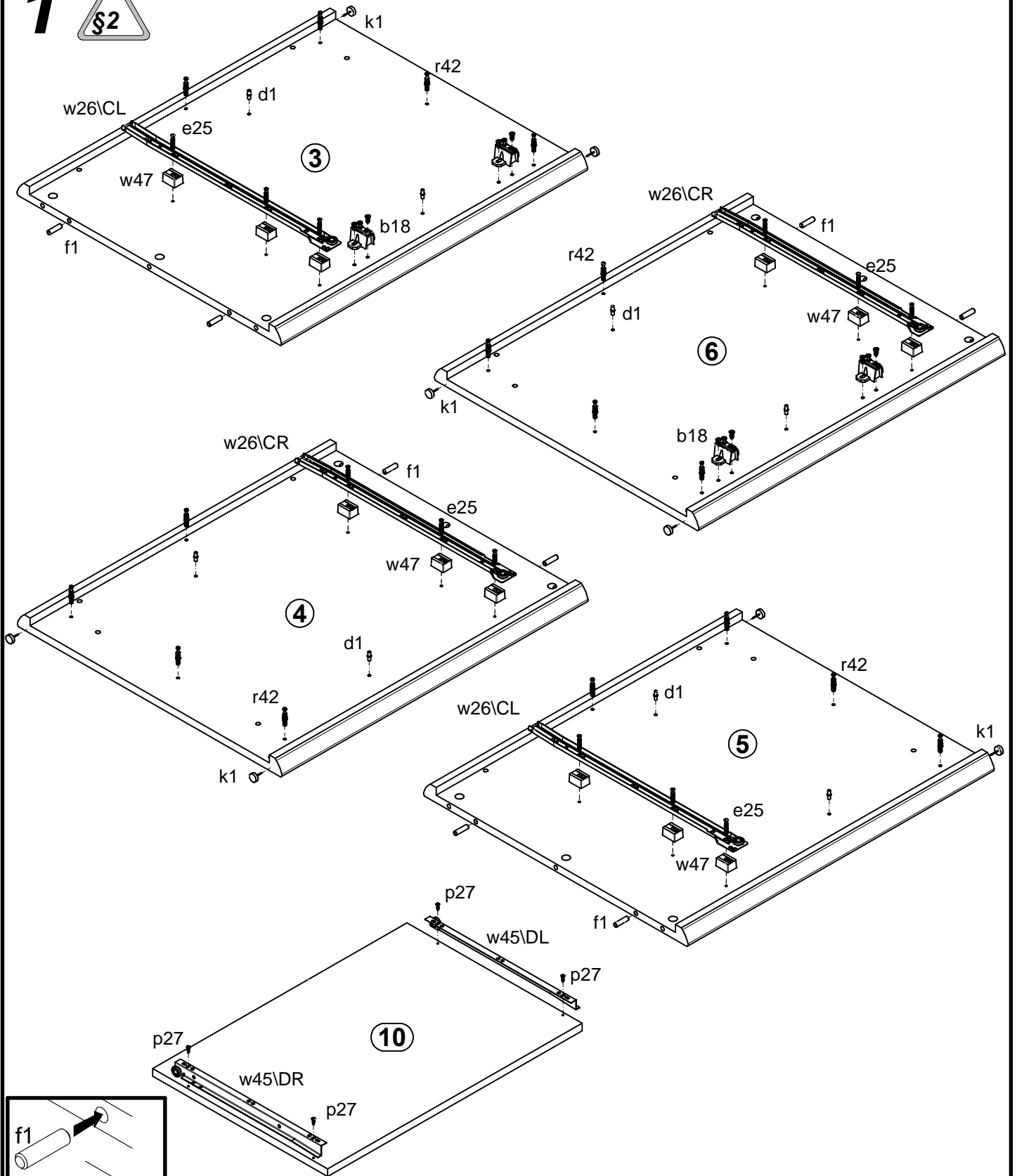
S130-BIU2D2S

A	B	C	D	A	B	C	D		
1	S130-021	413	180	3/3	10	S130-322	610	420	2/3
2	S130-022	486	413	3/3	11	S130-412	450	60	2/3
3	S130-138	734	634	1/3	12	S130-415	734	450	3/3
4	S130-139	734	634	1/3	13	S130-416	635	360	3/3
5	S130-141	734	634	1/3	14	S130-920	380	498	2/3
6	S130-142	734	634	1/3	15	ZS2-509	500	120	2/3
7	S130-214	1600	670	2/3	16	ZS2-510	500	120	2/3
8	S130-320	450	558	1/3	17	ZS2-5538	369	120	2/3
9	S130-321	449	558	1/3					

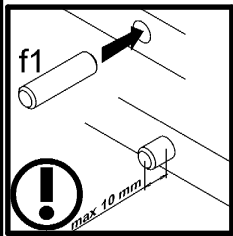
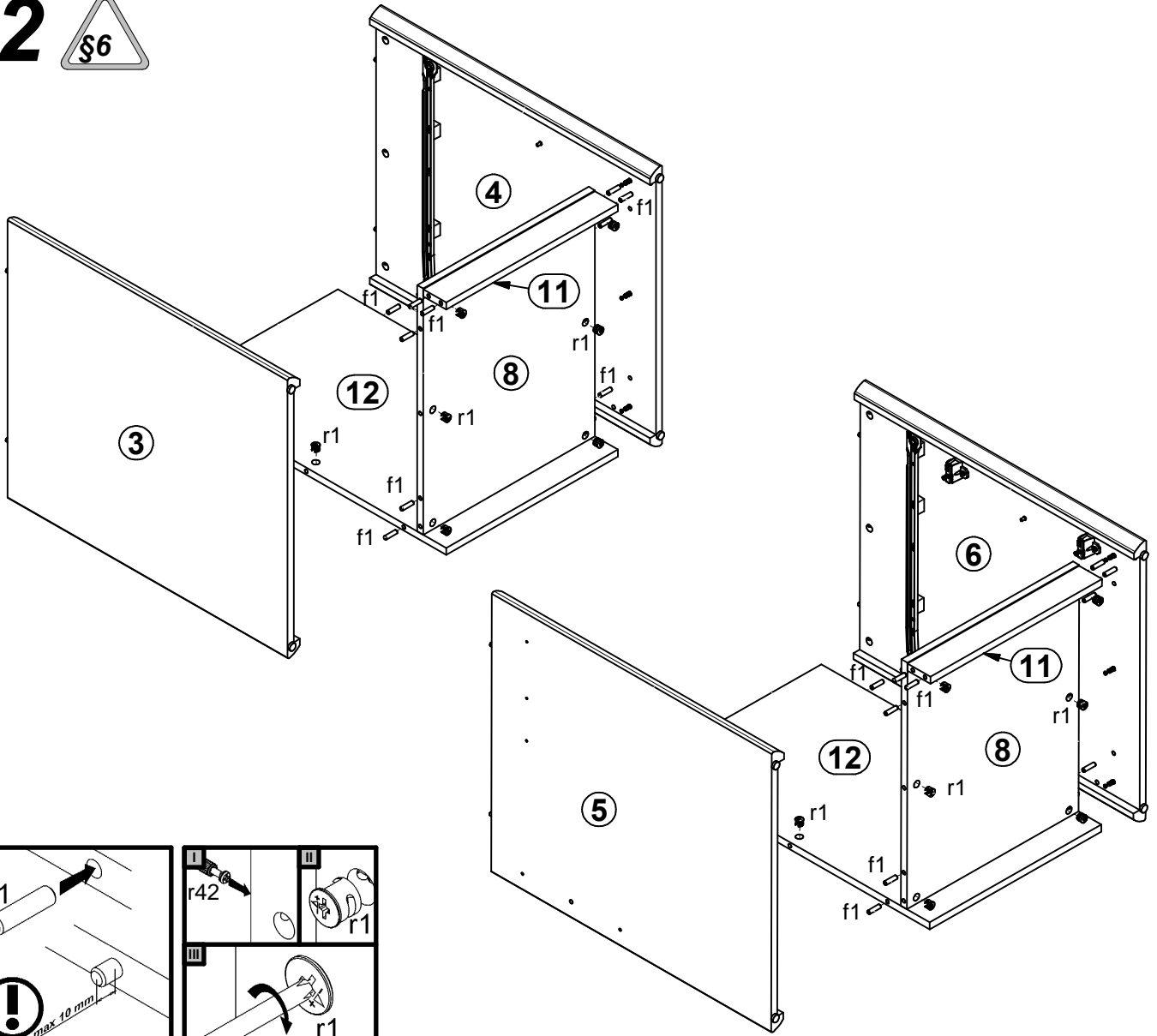


4x a43	4x b18	4x c239\2	8x d1 φ5x17 mm	12x e19 φ5x9 mm	8x e2 φ6,3x13 mm	12x e25 φ6x28 mm	6x e3 φ6x13 mm	34x f1 φ8x30 mm
8x f25 φ6,5x40 mm	8x j83 M4x16 mm	8x k1	4x p27 φ3,5x13 mm	8x p51 φ3,5x15 mm	32x r1 φ1,5x12mm #16	8x r15 φ12x10,5mm #12	40x r42	2x w26\CL 500 mm
2x w26\CR 500 mm	2x w26\DL 500 mm	2x w26\DR 500 mm	1x w45\CL 350 mm	1x w45\CR 350 mm	1x w45\DL 350 mm	1x w45\DR 350 mm	12x w47 h=16 mm	8x s2 φ16

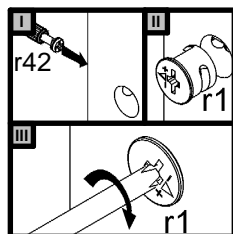
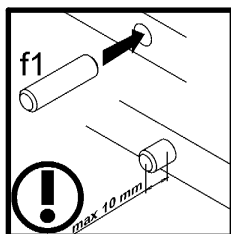
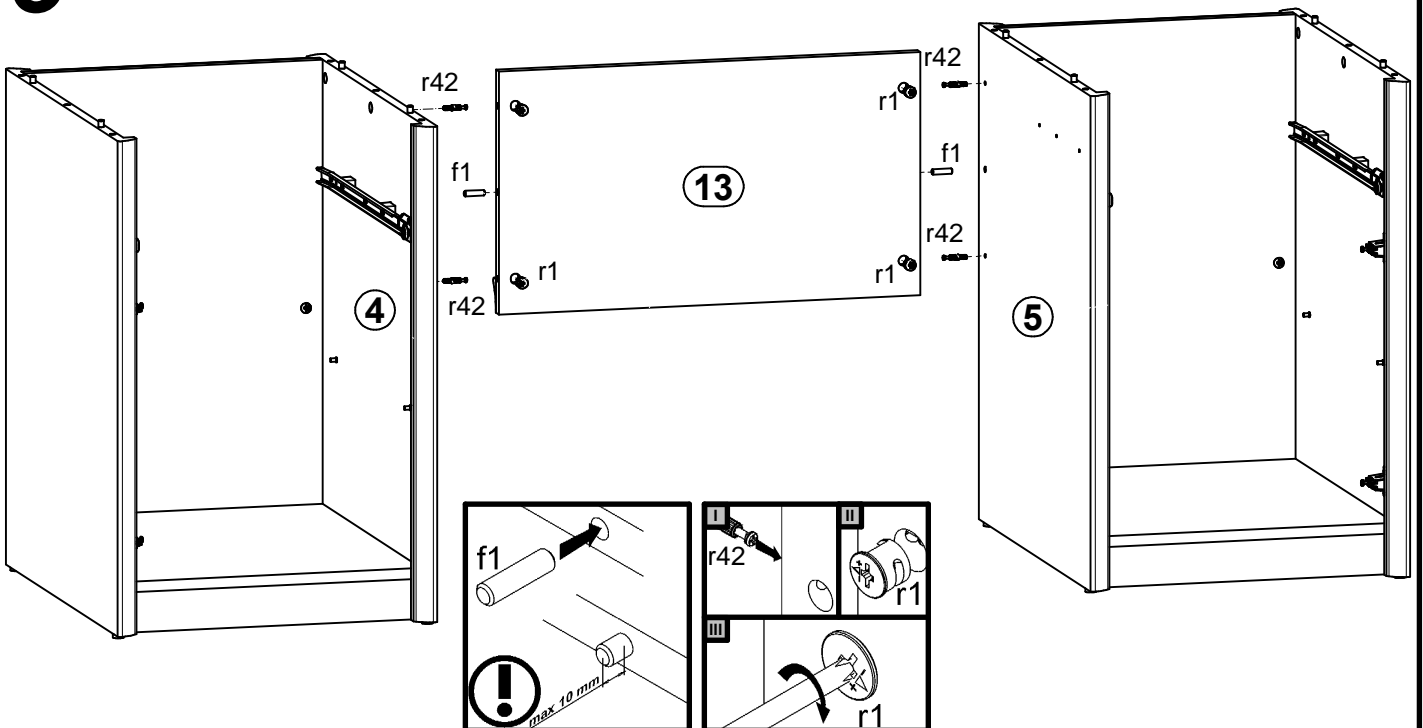
1

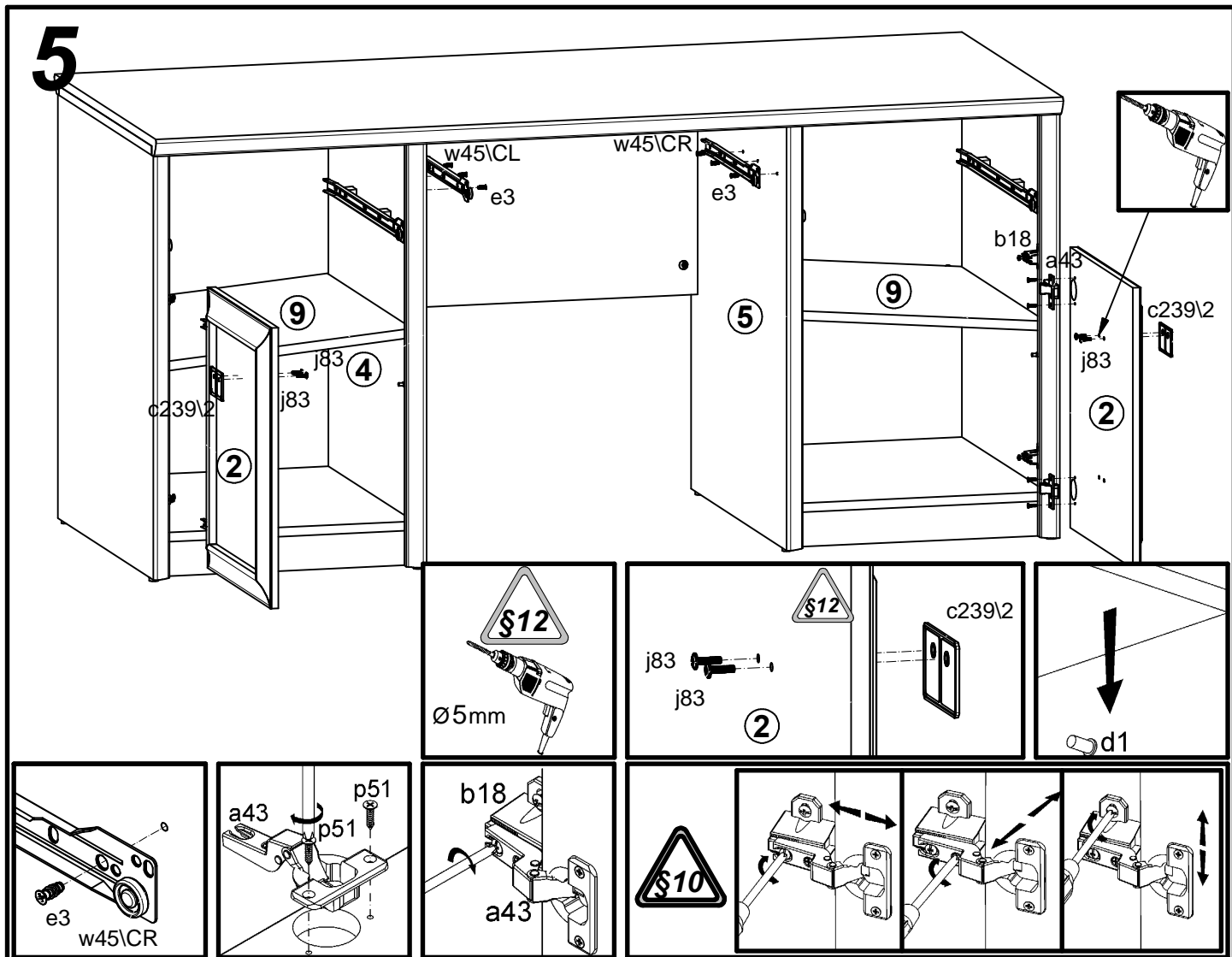
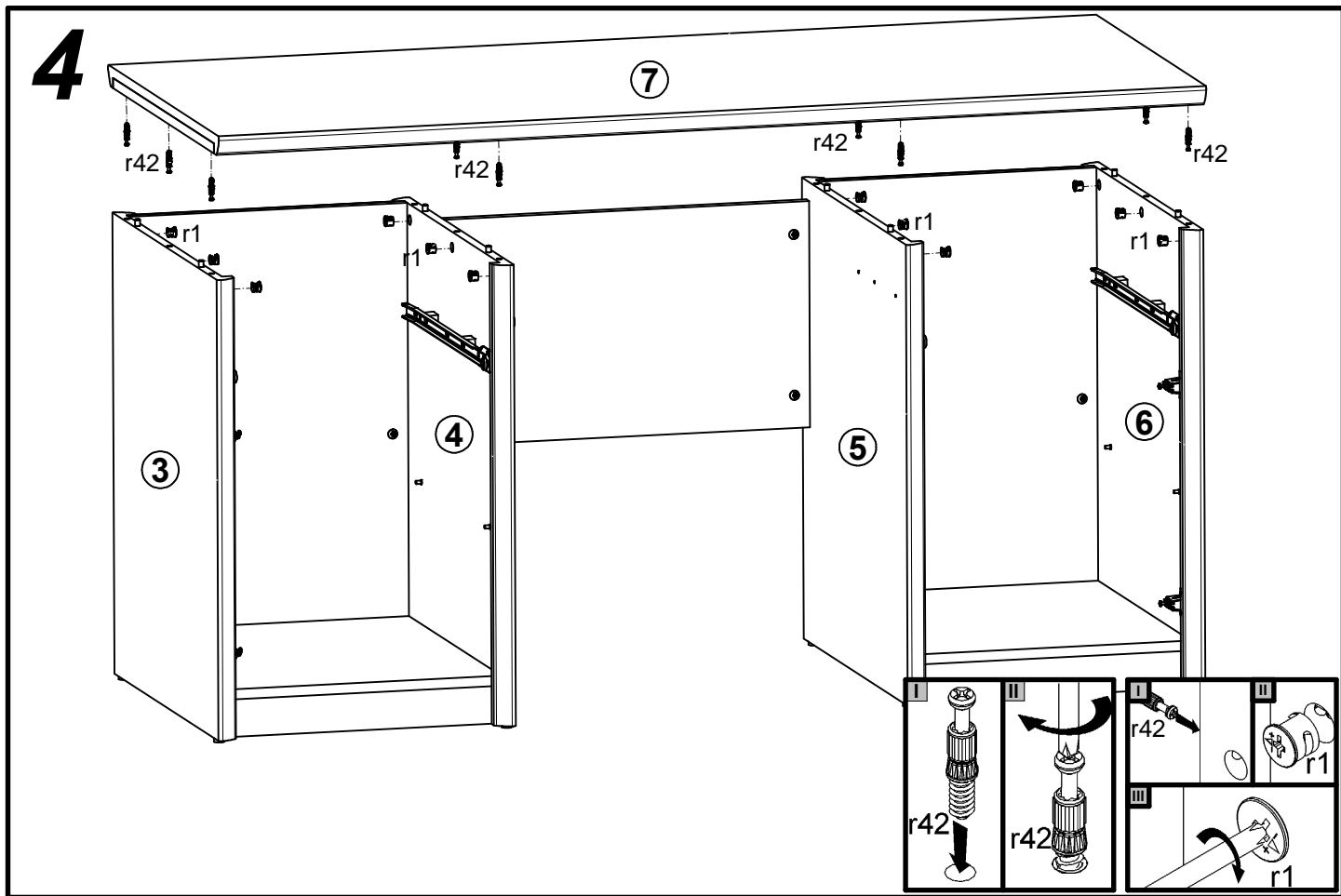


2

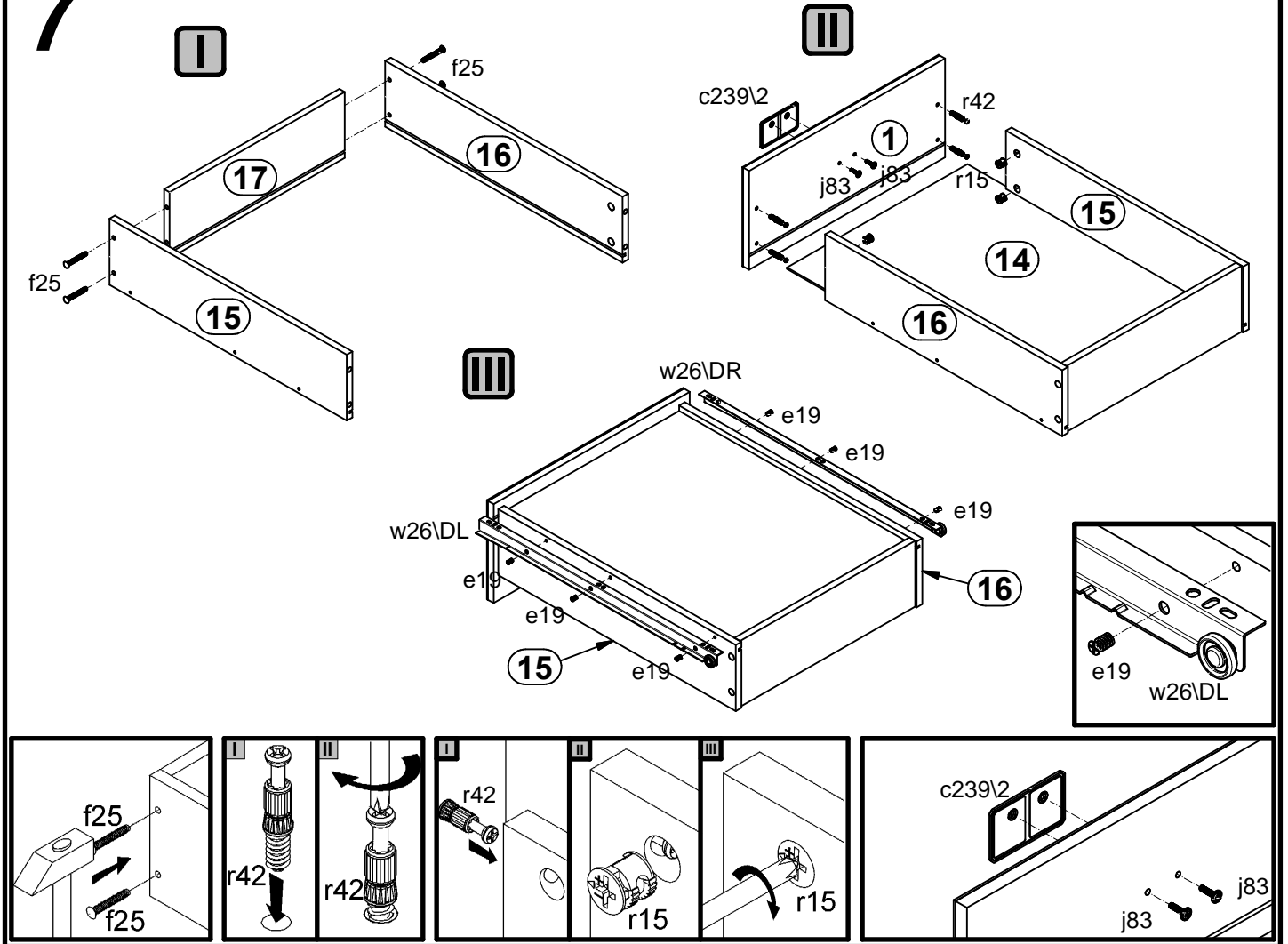


3





7



8

