

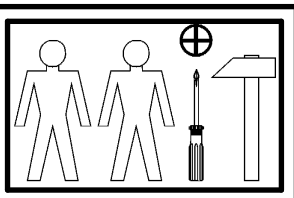
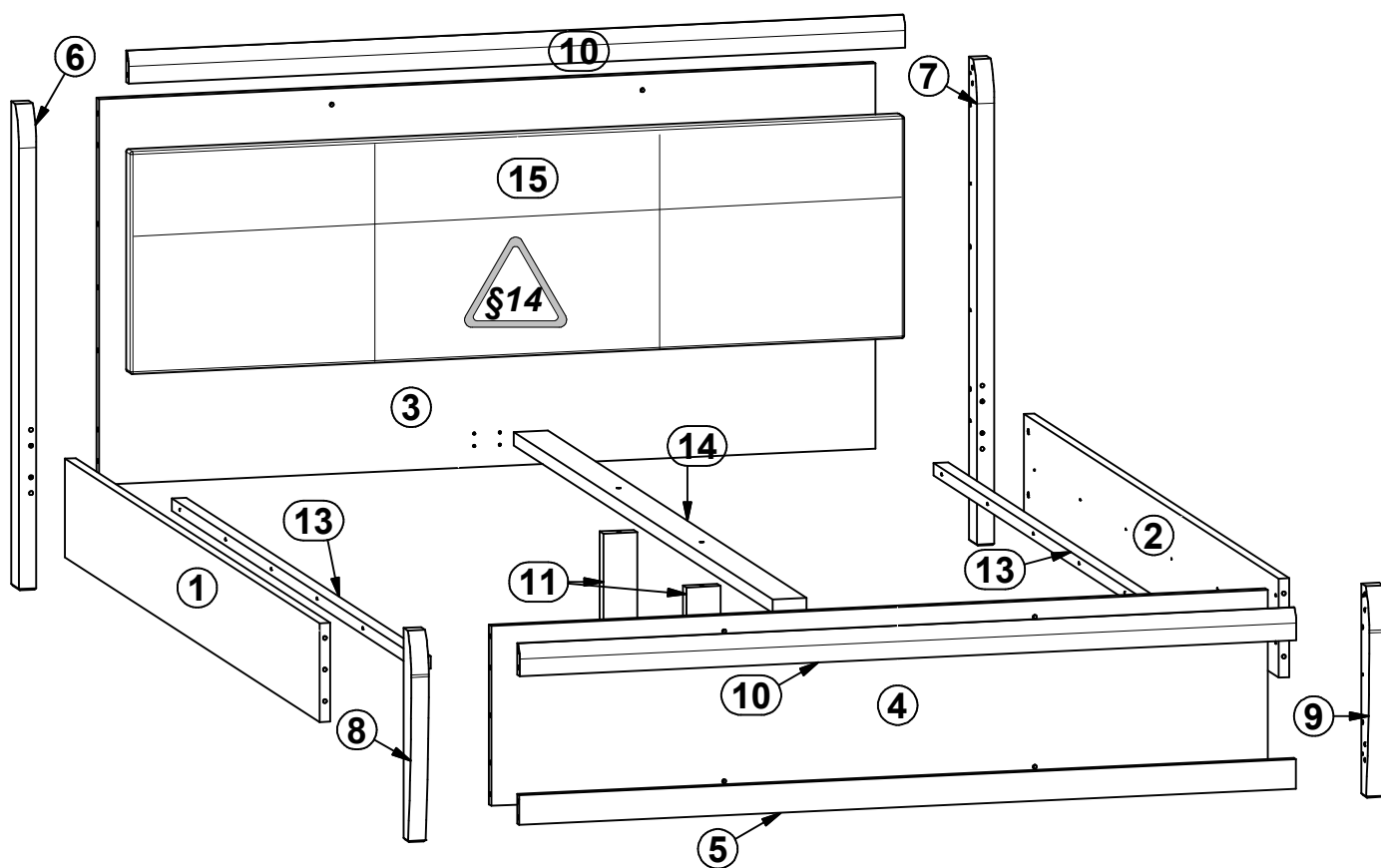
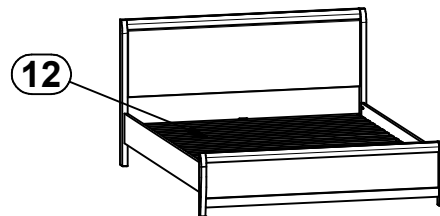
LOREN

S163-LOZ/160

A	B	C	D
1	S163-134	1958	200
2	S163-135	1958	200
3	S163-414	1600	780
4	S163-415	1600	364
5	S163-416	1600	60
6	S163-516	980	60
7	S163-517	980	60
8	S163-518	428	60
9	S163-519	428	60
10	S163-520	1600	64
11	ZZ1-416	238	70
12	ZZ1-501	1872	1578
13	ZZ1-720	1880	25
14	ZZ1-719	1983	70

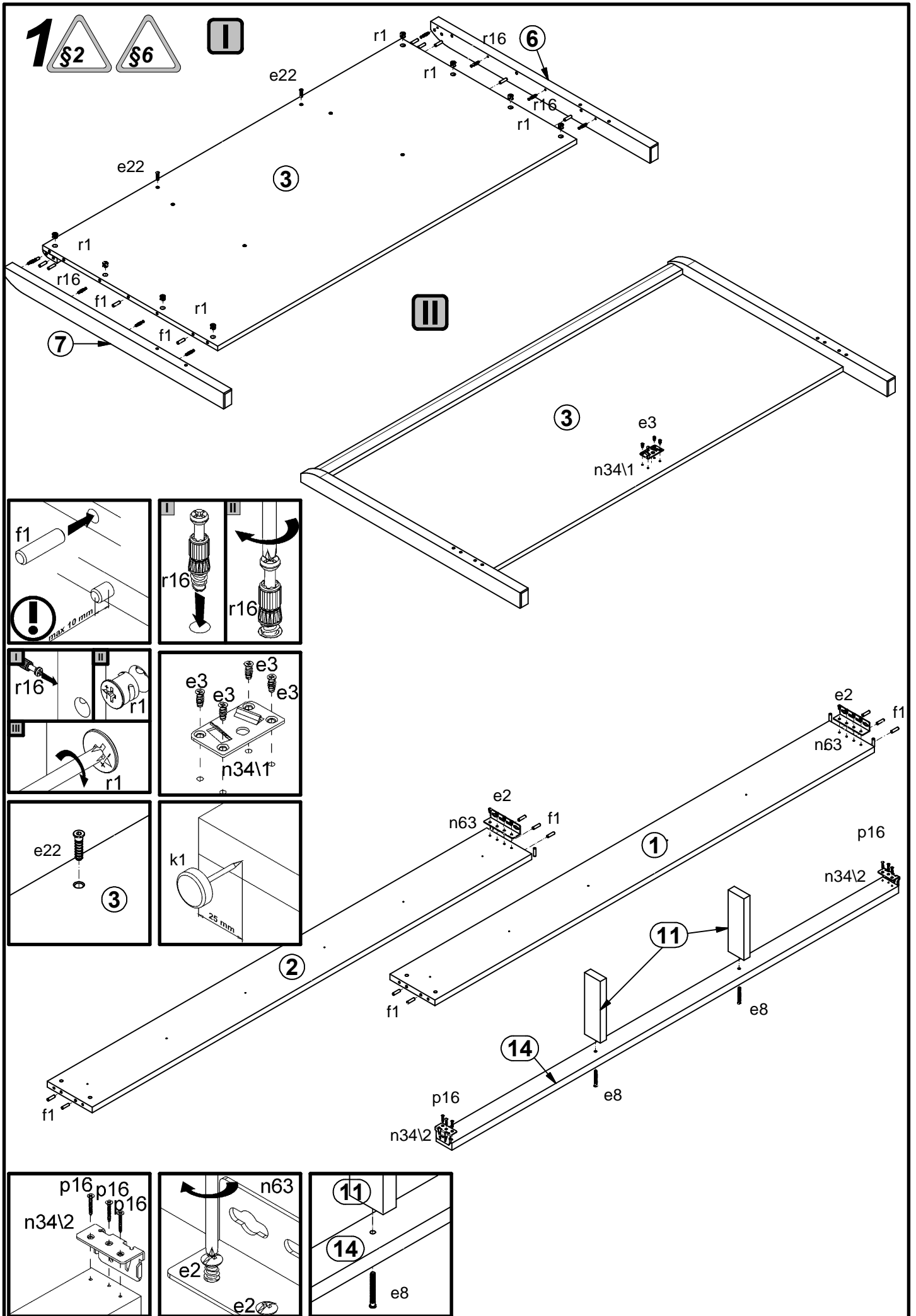


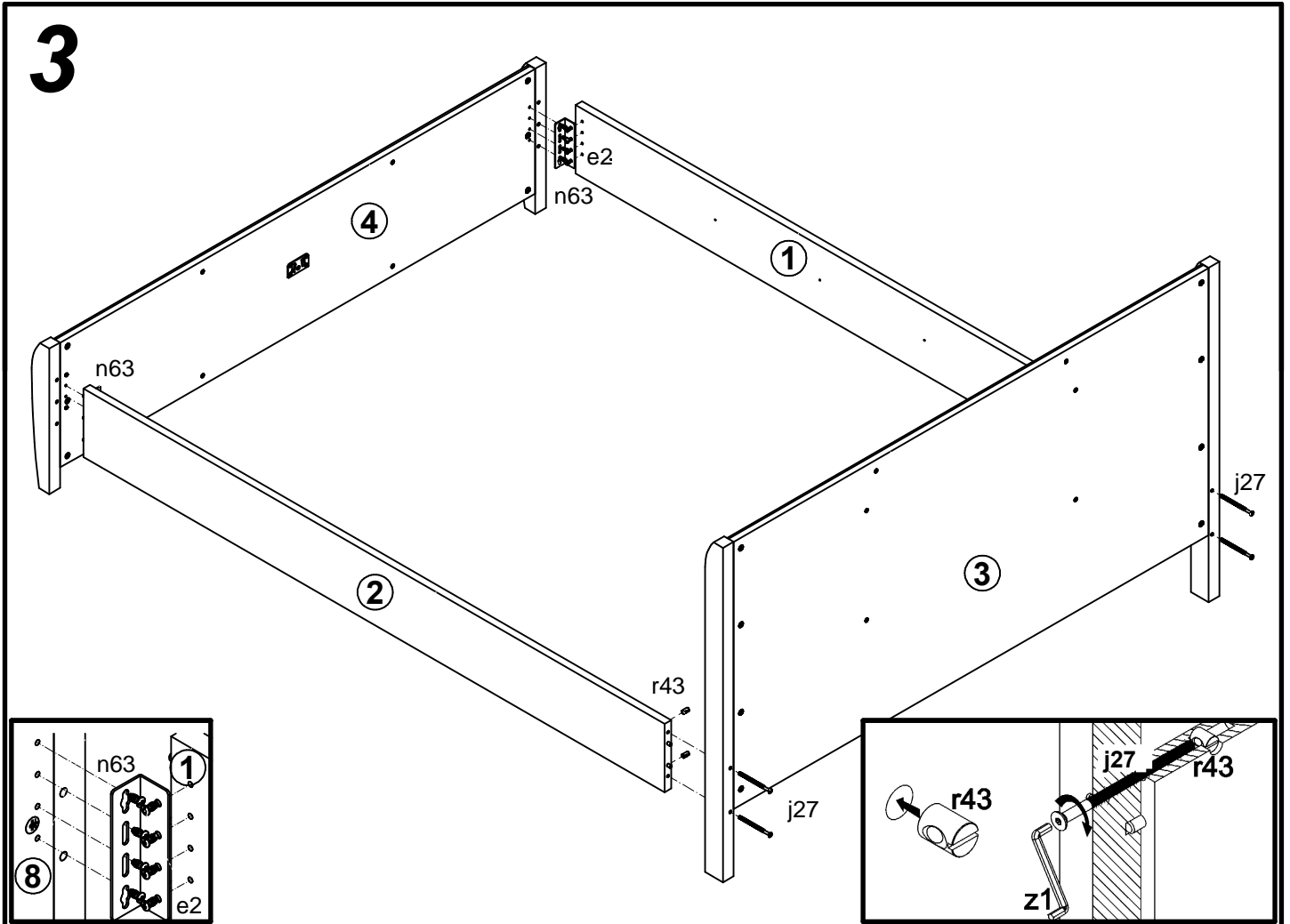
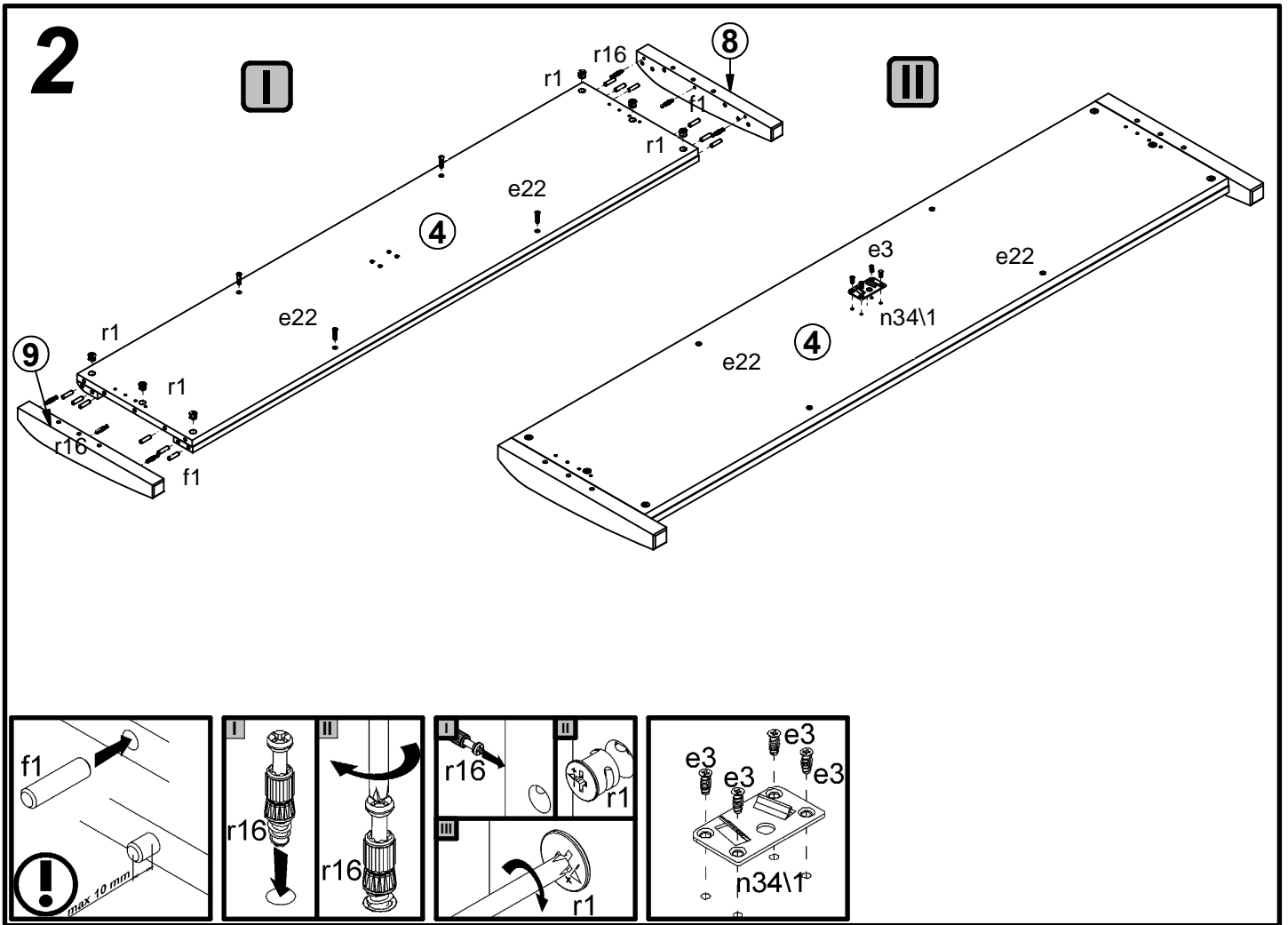
A	B	C	D
15	S163-521	1595	450



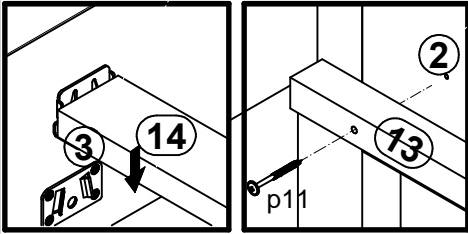
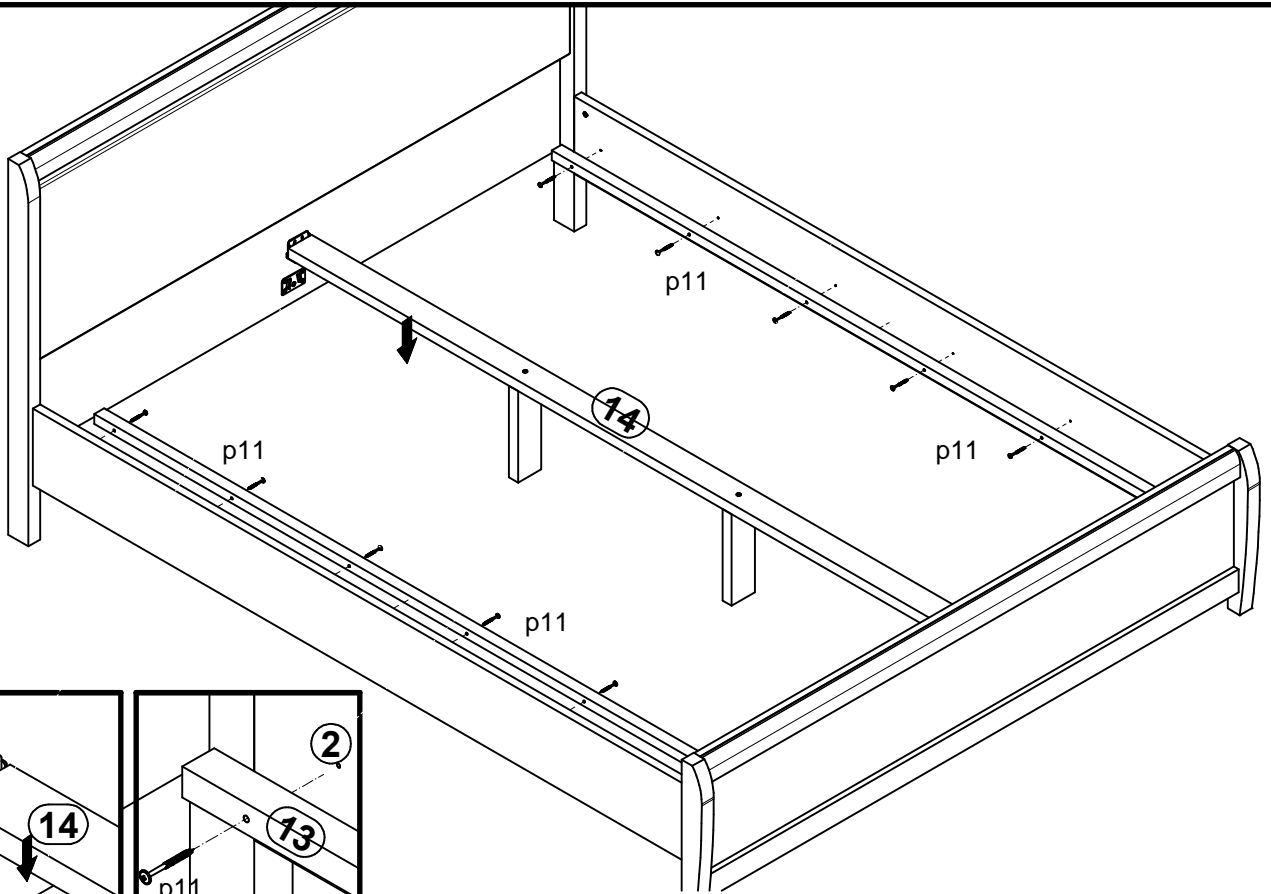
16x Ø6.3x13 mm e2	6x Ø7x28 mm e22	8x Ø6x13 mm e3	2x Ø7x60 mm e8	32x Ø8x30 mm f1	4x M6x105 mm j27	2x n34/1	2x n34/2	2x 130x34x34/2 mm n63
12x Ø4x45 mm p11	6x Ø3.5x25 mm p16	6x Ø4x35 mm p6	14x Ø15x12 mm #16 r1	14x r16	4x Ø10x16 mm r43	1x z1		
4x s1	12x Ø16 s2	6x Ø7x50 mm e1						







4



5

