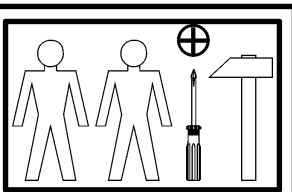
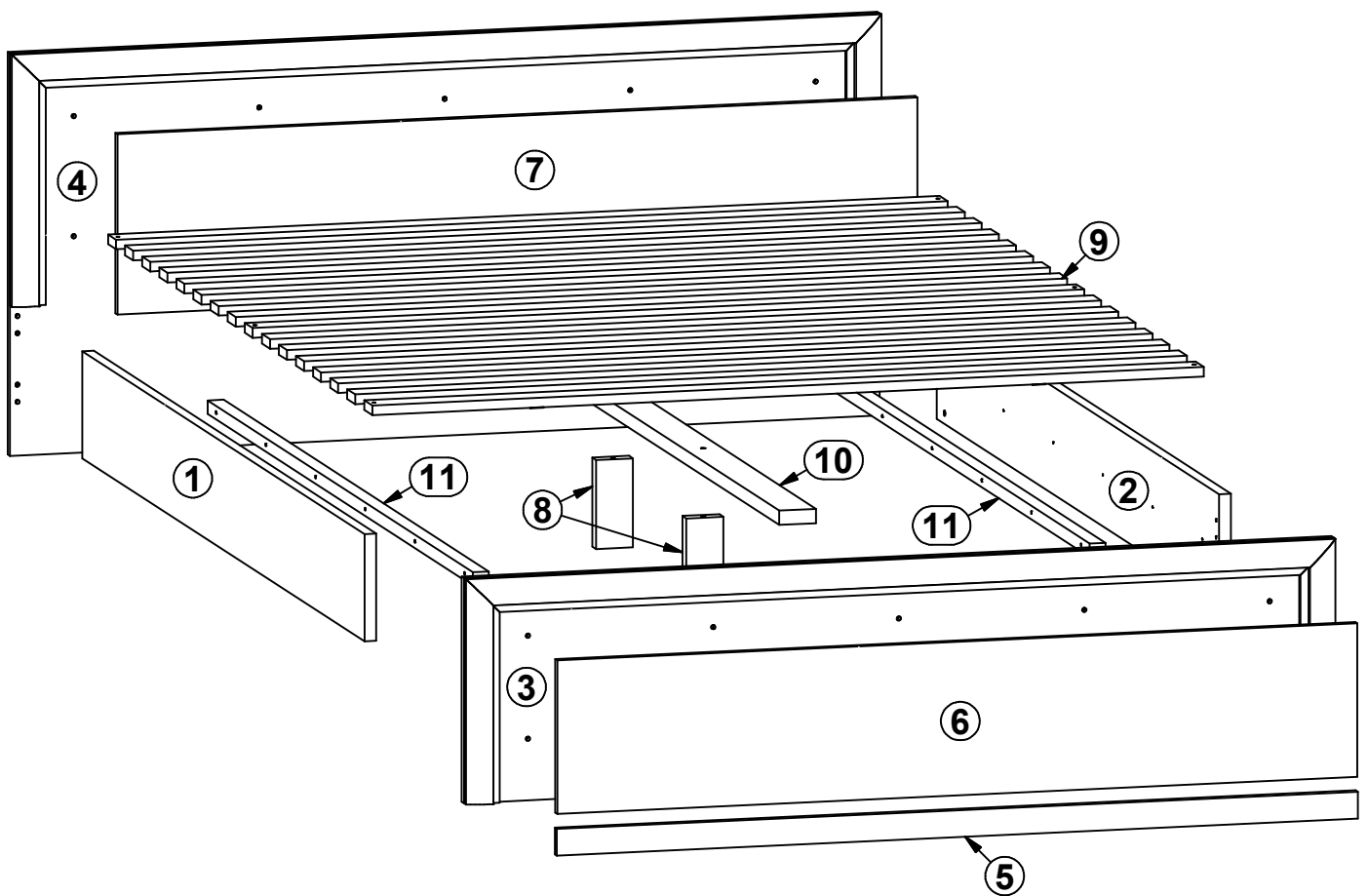
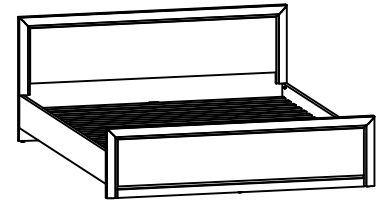


A	B	C	D	
1	S103-418	2000	200	3/3
2	S103-419	2000	200	3/3
3	S136-018	1650	420	1/3
4	S136-019	1650	750	2/3
5	S136-420	1520	50	1/3
6	S136-712	1518	286	1/3
7	S136-716	1518	336	2/3
8	ZZ1-418	166	70	3/3
9	ZZ1-501	1872	1578	1/1
10	ZZ1-719	1983	70	3/3
11	ZZ1-720	1880	25	3/3



16x φ6.3x13 mm e2	12x φ7x28 mm e22	8x φ6x13 mm e3	2x φ7x60 mm e8	4x φ8x30 mm f1	8x φ8x20 mm f13	4x M6x84 mm j117	6x k1	2x n3411
2x n3412	2x 130x34x34/2mm n63	12x φ4x45 mm p11	6x φ3.5x25 mm p16	6x φ4x35 mm p6	5x φ4x28 mm p94	4x φ10x16mm r43	3x s1	1x z1

1  

