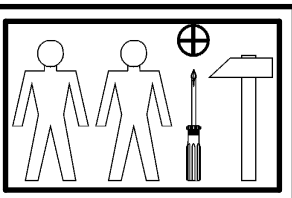
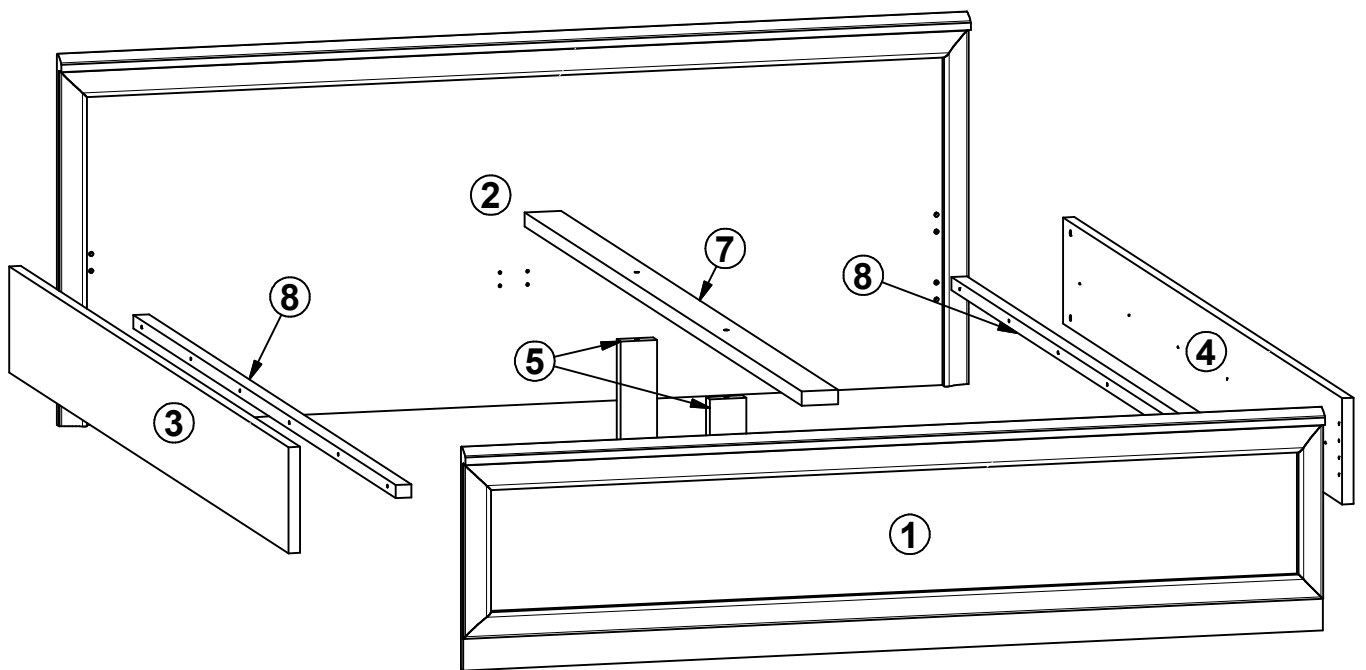
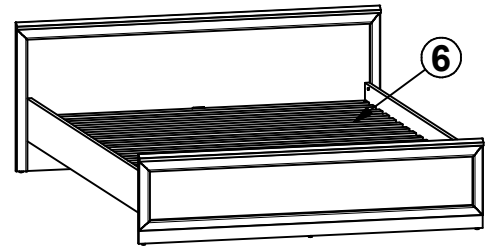


BOLDEN

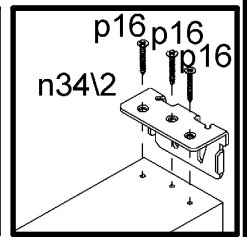
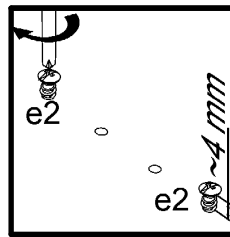
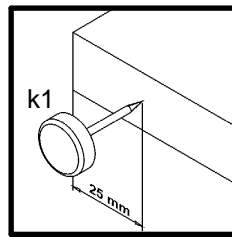
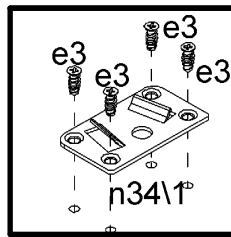
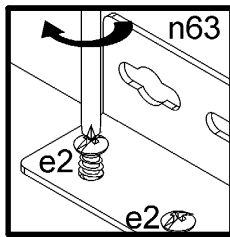
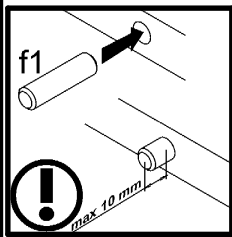
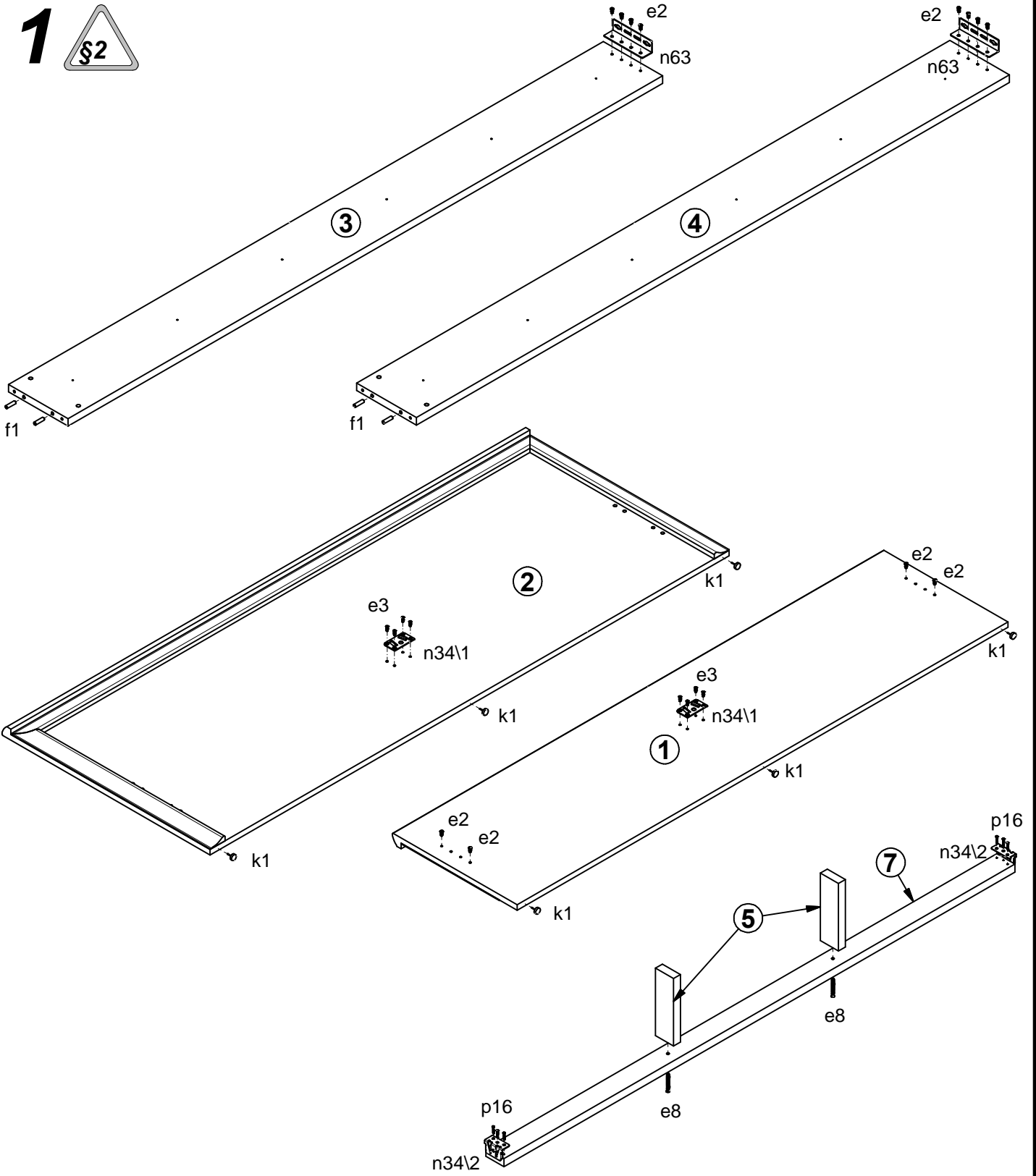
S130-LOZ/160

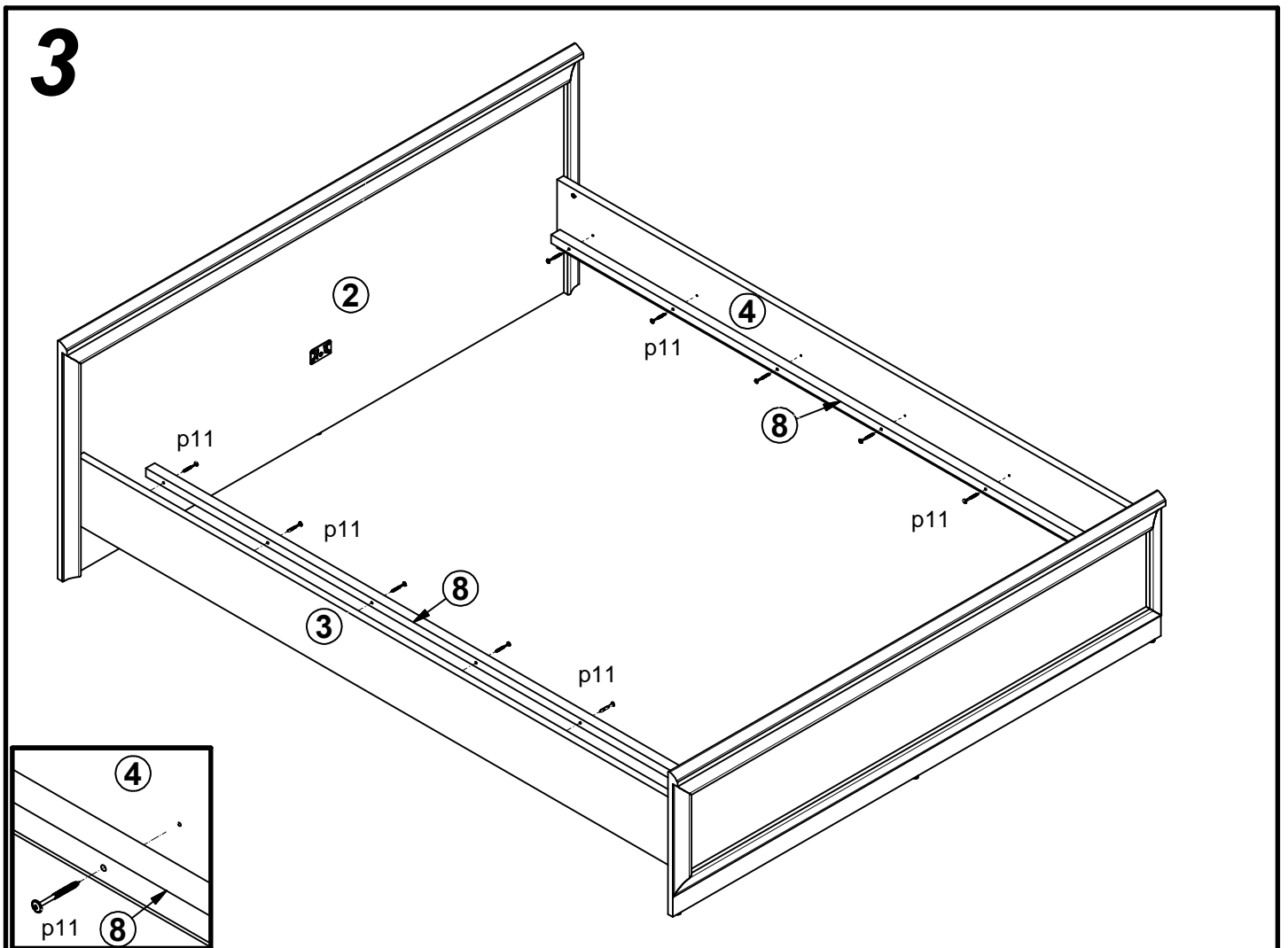
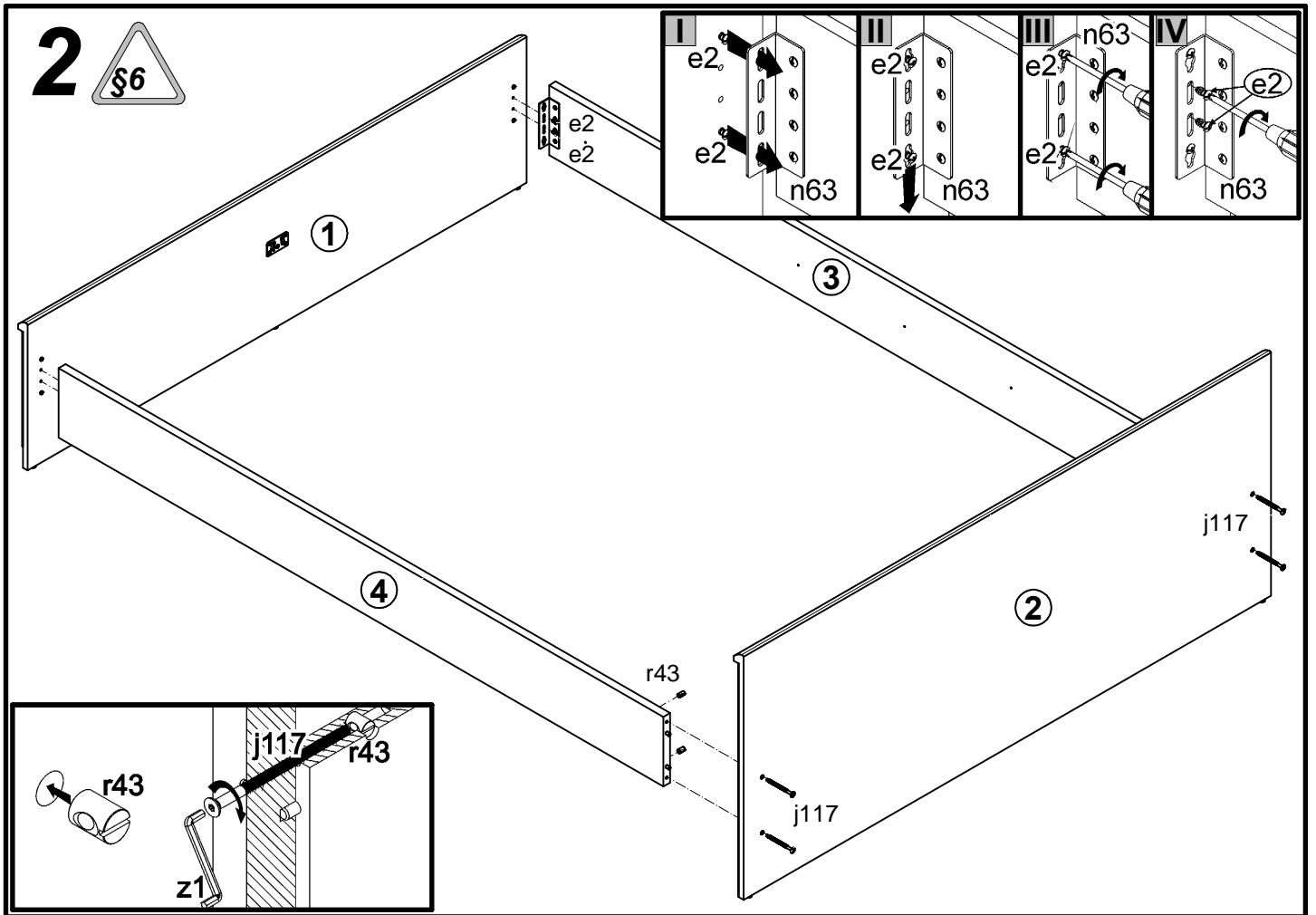
A	B	C	D
1	S130-028	1650	420
2	S130-029	1745	700
3	S130-417	2000	200
4	S130-418	2000	200
5	ZZ1-421	227	70
6	ZZ1-501	1872	1578
7	ZZ1-719	1983	70
8	ZZ1-720	1880	25



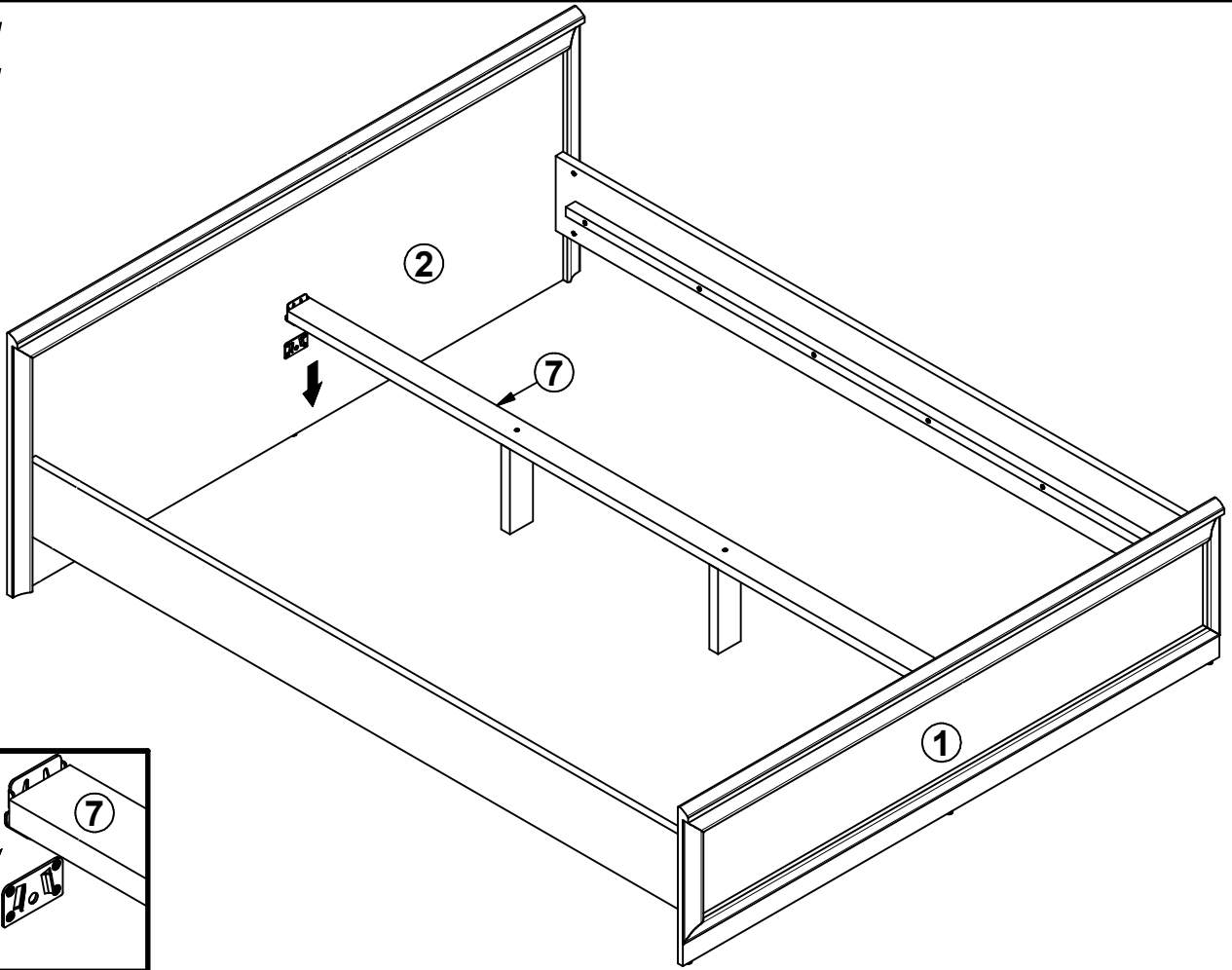
16x φ6,3x13 mm e2	8x φ6x13 mm e3	2x φ7x60 mm e8	4x φ8x30 mm f1	4x M6x84 mm j117	6x k1	2x n34/1	2x n34/2	2x 130x34x34,2mm n63
12x φ4x45 mm p11	6x φ3,5x25 mm p16	6x φ4x35 mm p6	4x φ10x16mm r43	1x z1				

1 





4



5

