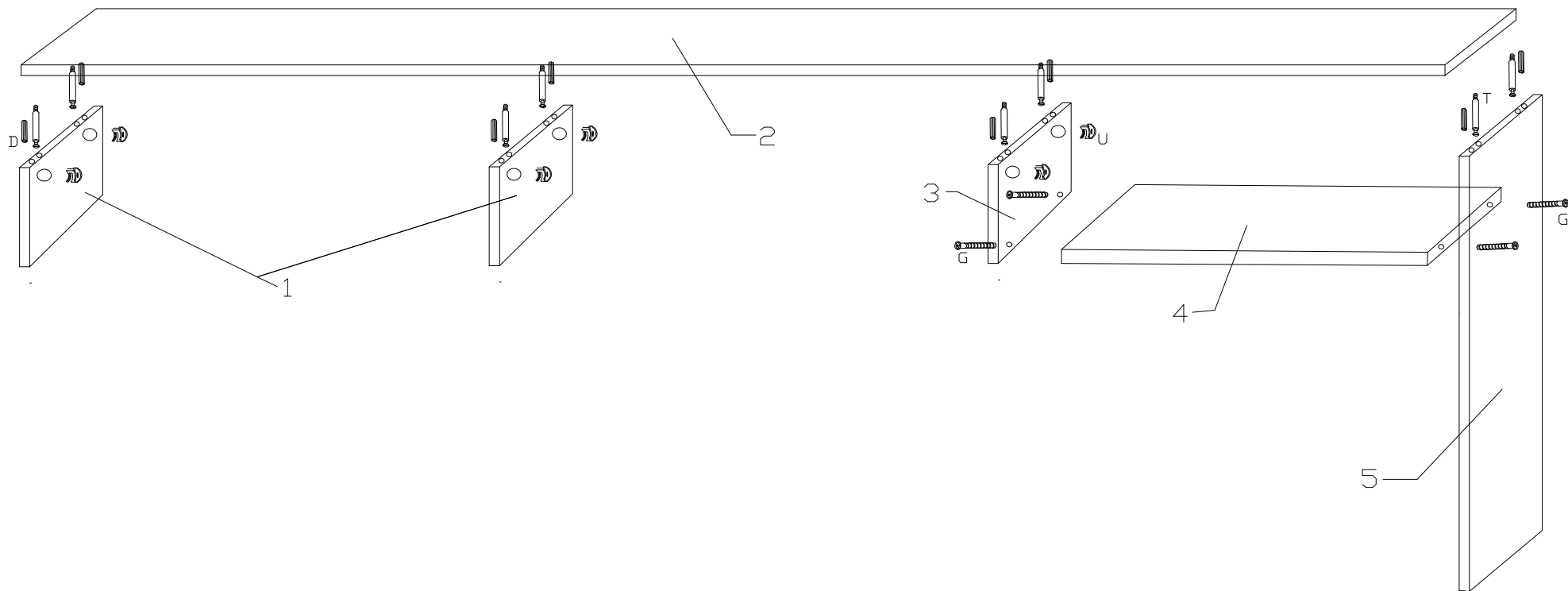


STEFANO SF-8



4x C	8x D	1x M	8x U	8x W	8x T	4x G 7X50
---------	---------	---------	---------	---------	---------	--------------