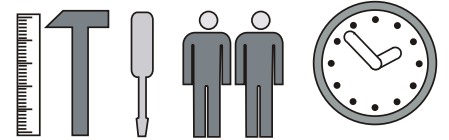
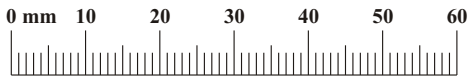
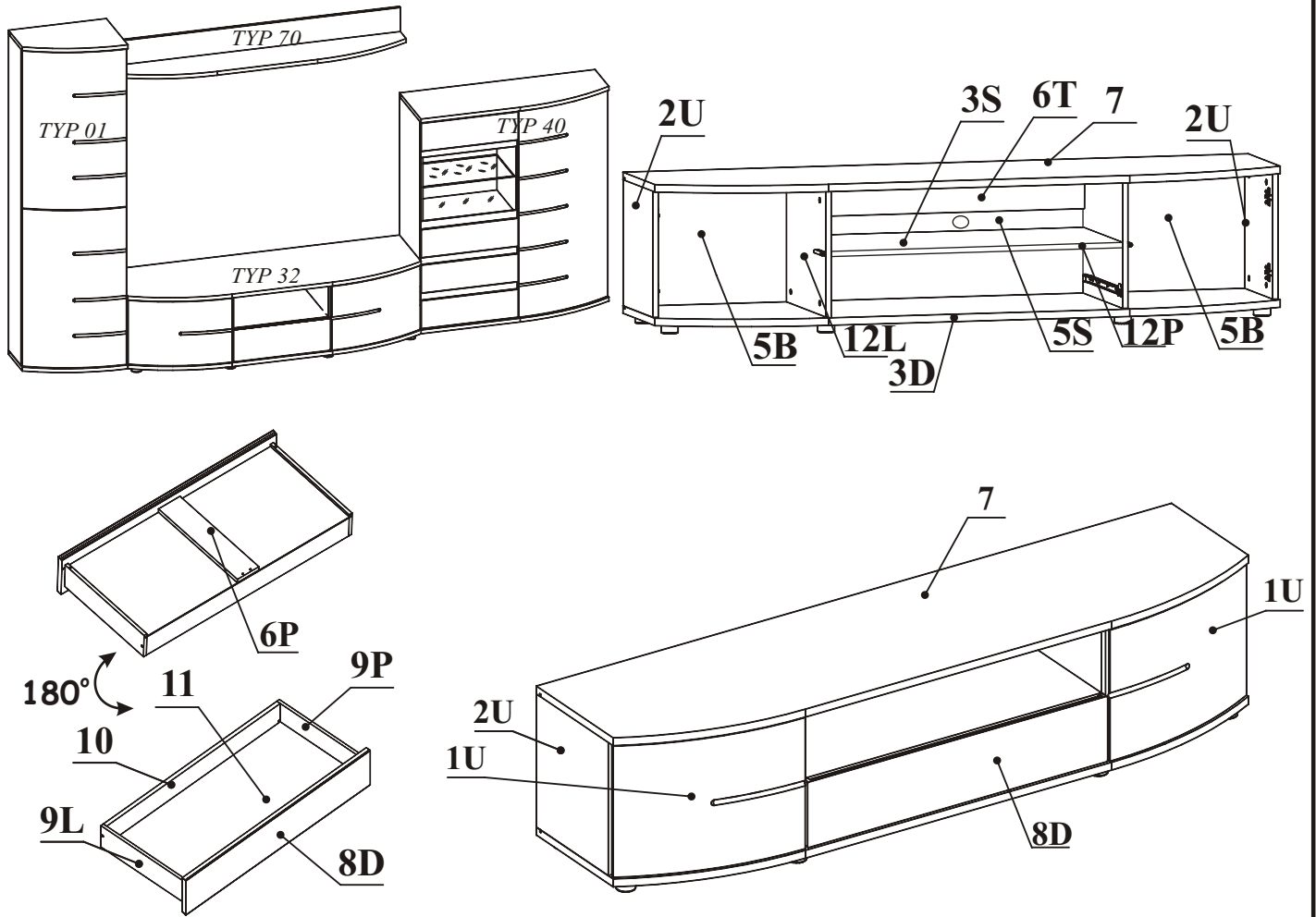


ABW ONTARIO II
RTV ONTARIO II

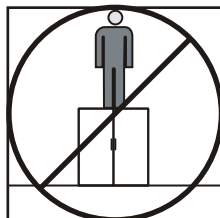
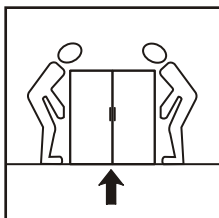
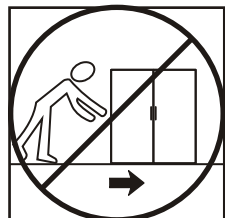
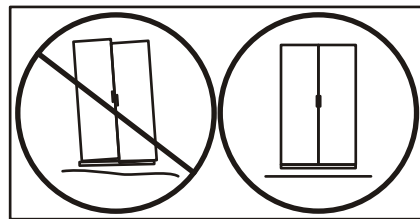
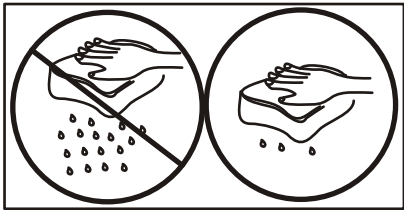
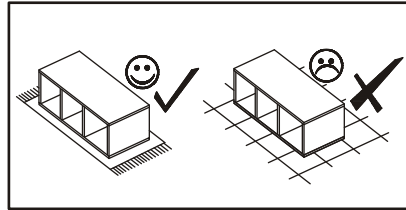
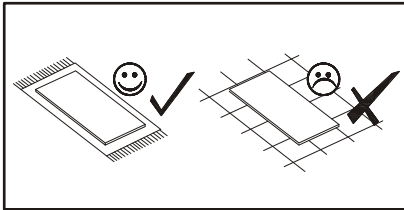
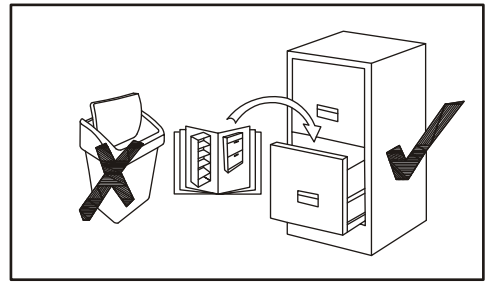
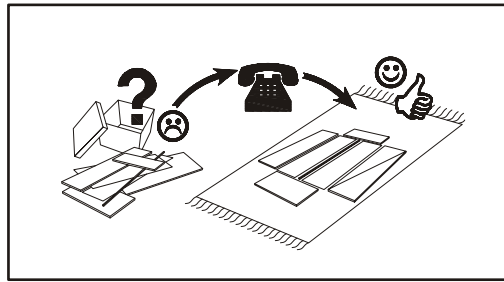
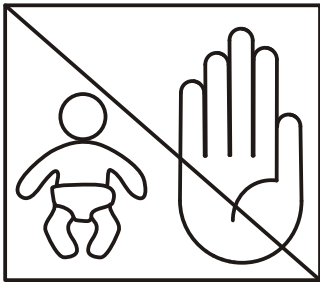
TYPE-32

24...O2



90 min

A1 X32 ø8x36	B4 X22	B5 X22 ø15x12	H5 X1	G5 X22	D11 X8 USØ3,5x25
E1 X4 H=0	E2 X4 H=0	ST2 X8	D9 X4 USØ3x20	G16 X4	D27 X4 EsØ5x13
S1 X18	D10 X12 USØ3,5x13	G2 X1	UP13 X6 UPØ3x16	T1 X2	B11 X2 Ø7x50
G4 X2	G18 X1	UP 16 X2 UpØ4x35			

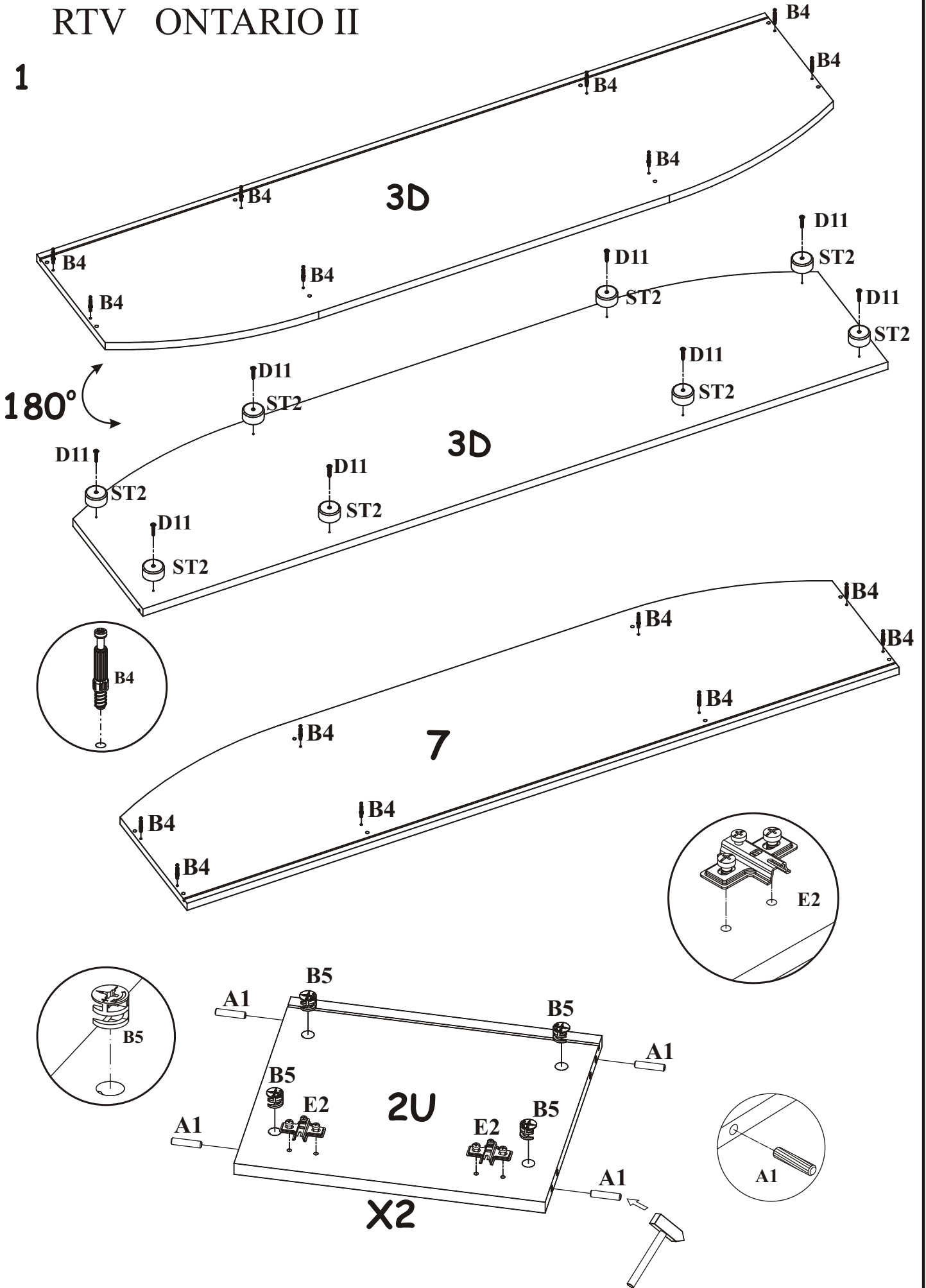


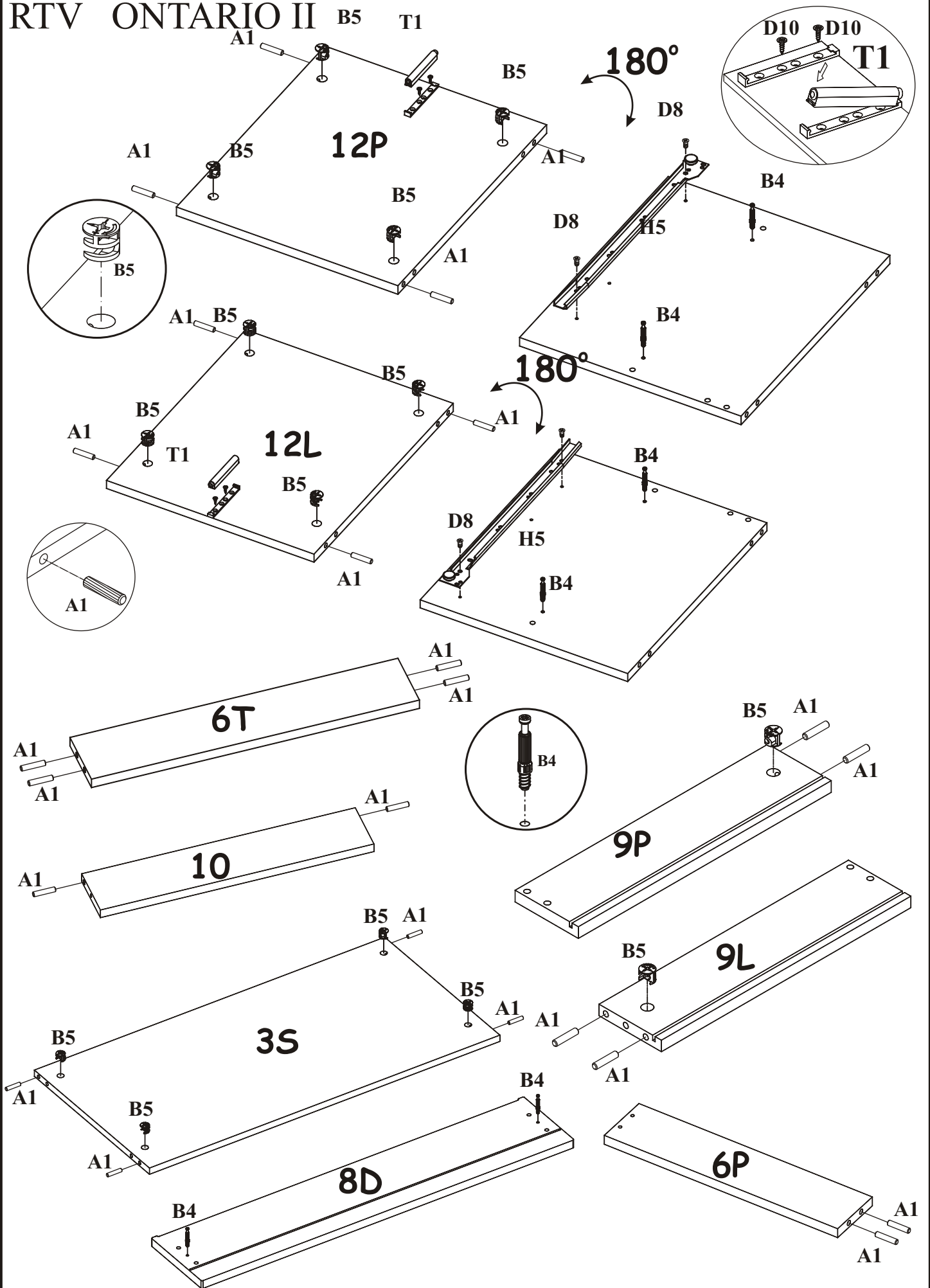
ABW ONTARIO II
RTV ONTARIO II

TYPE-32

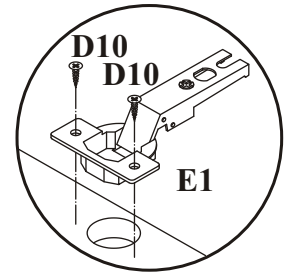
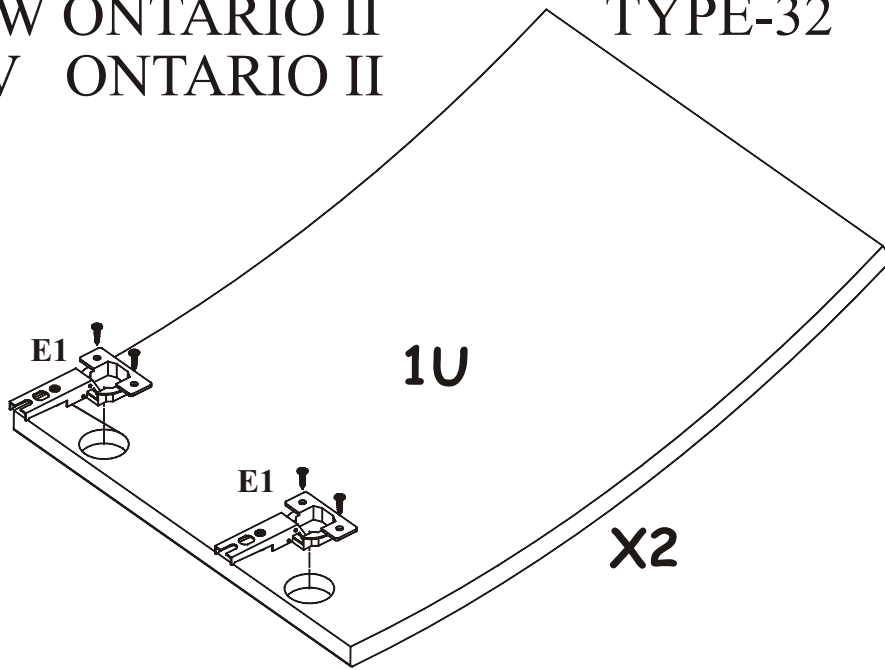
24...O2

1

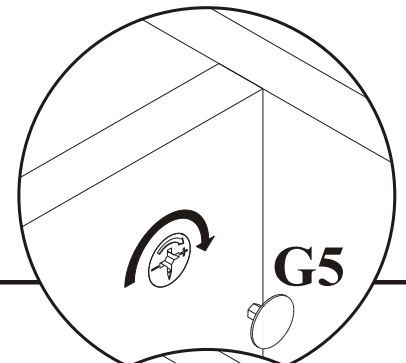
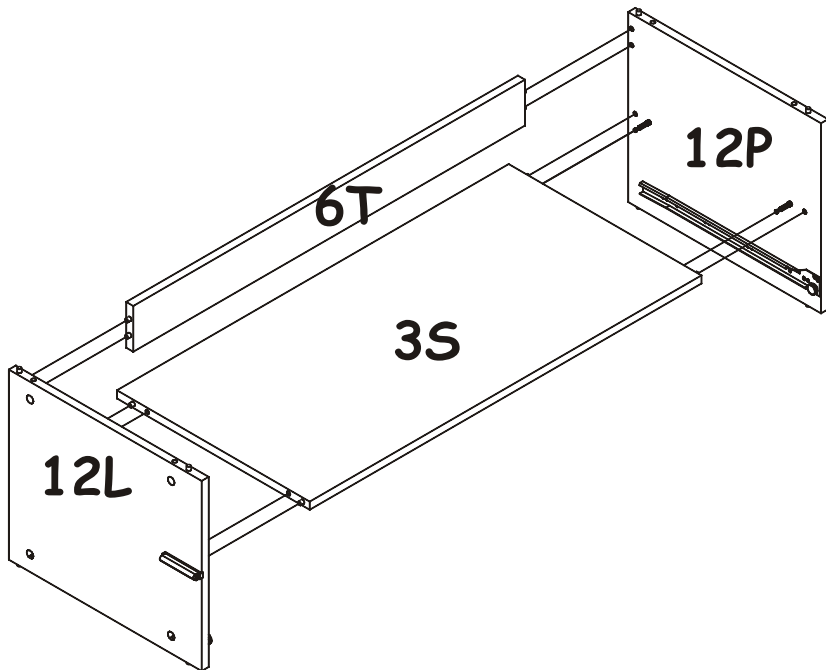




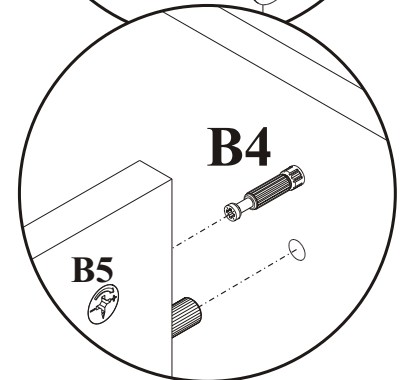
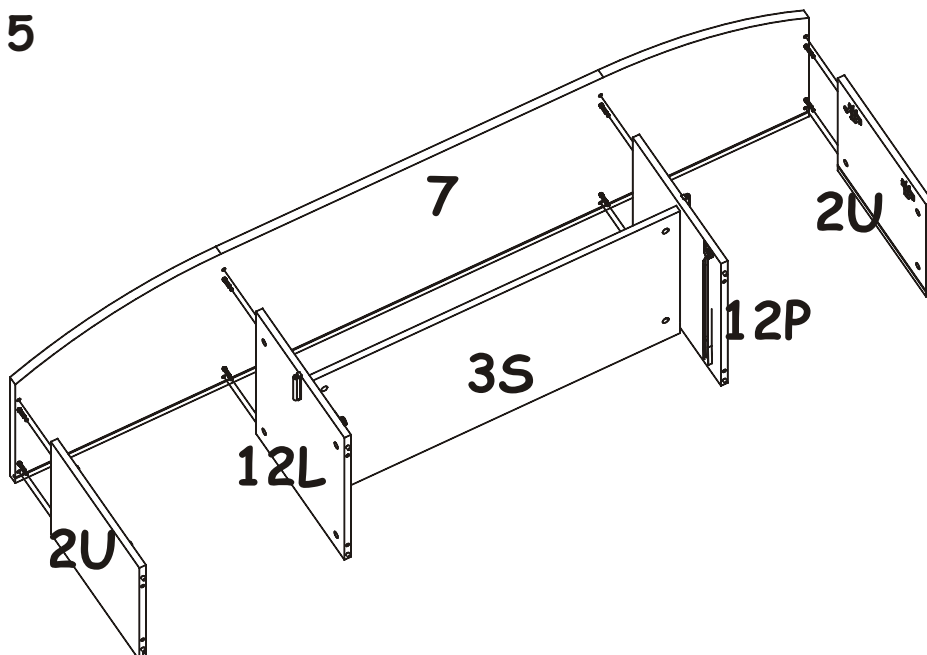
3

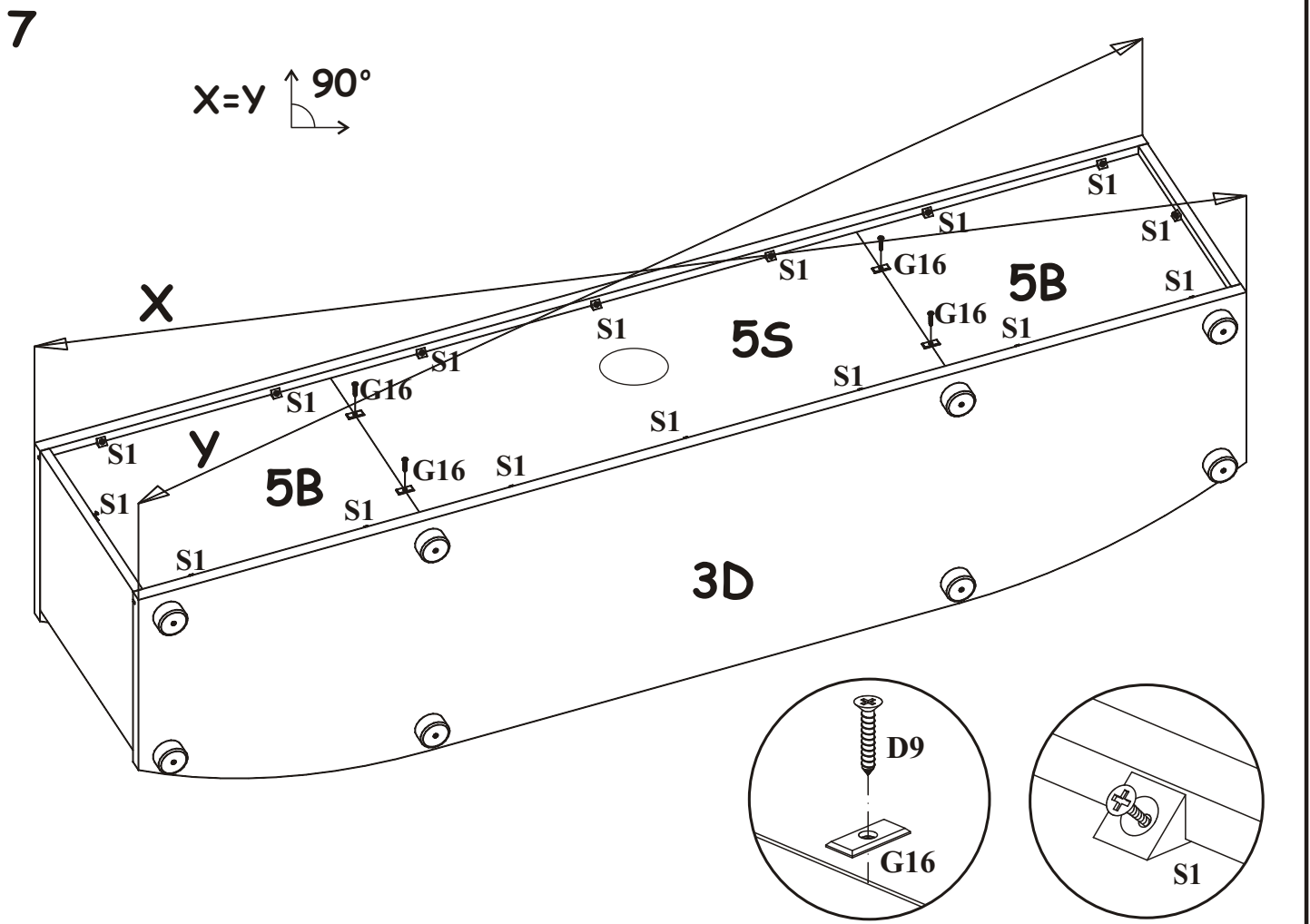
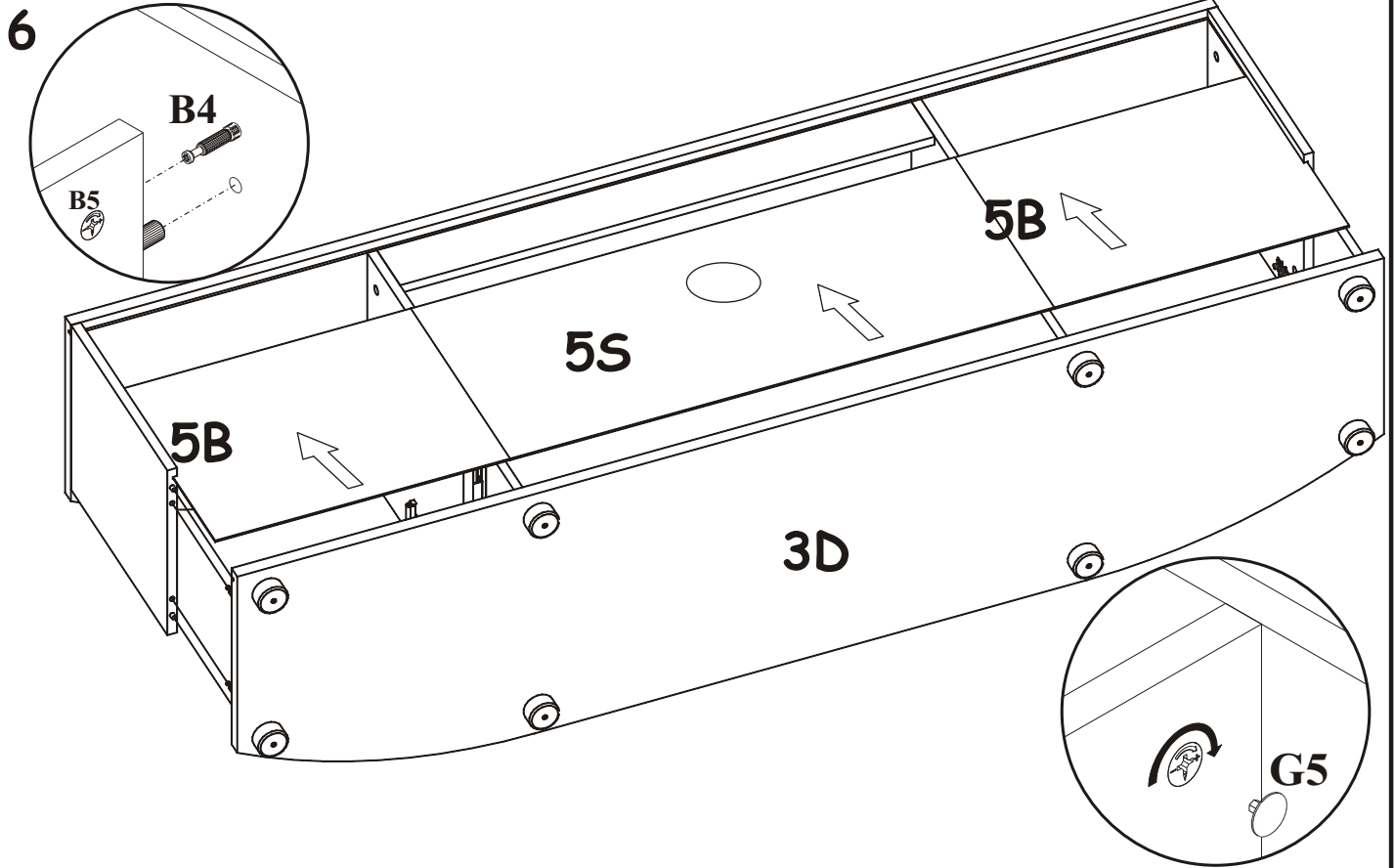


4



5

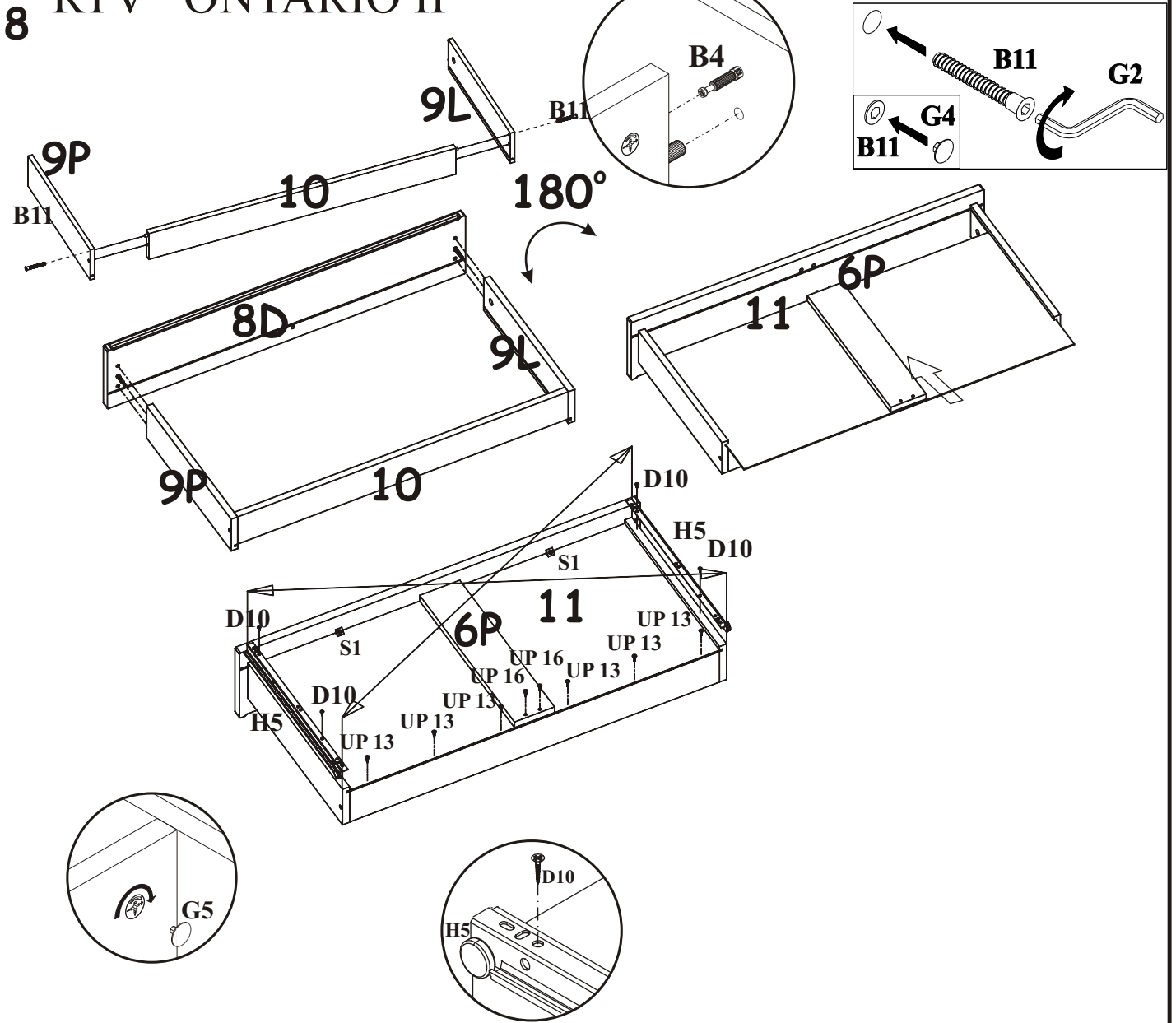




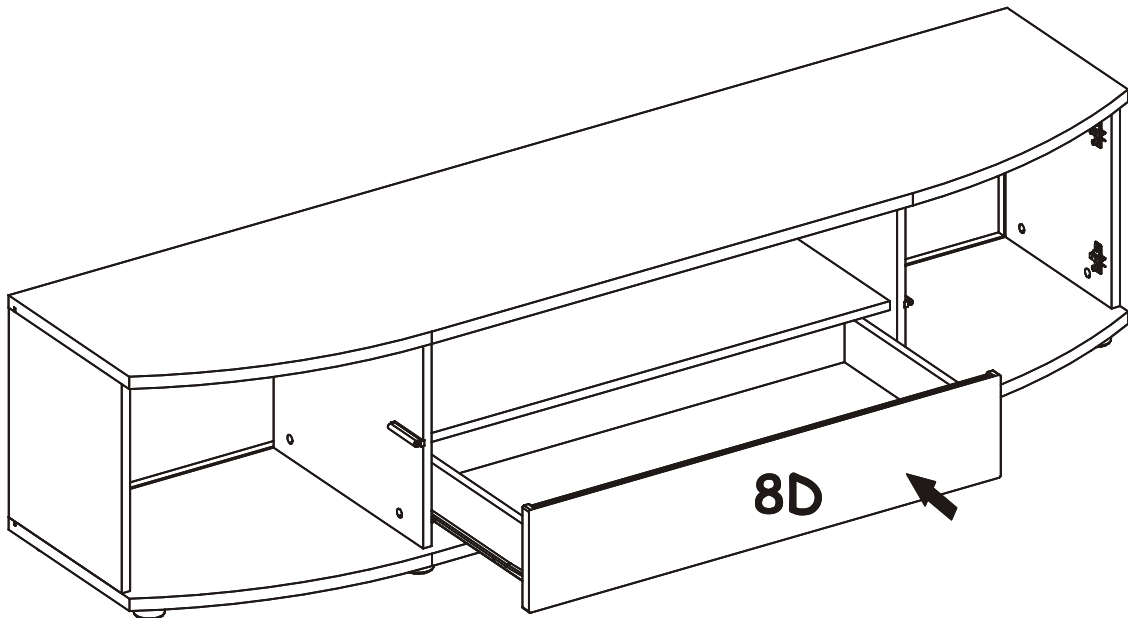
ABW ONTARIO II
RTV ONTARIO II

TYPE-32

24...O2



9



10

