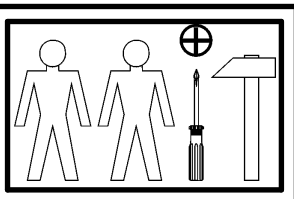
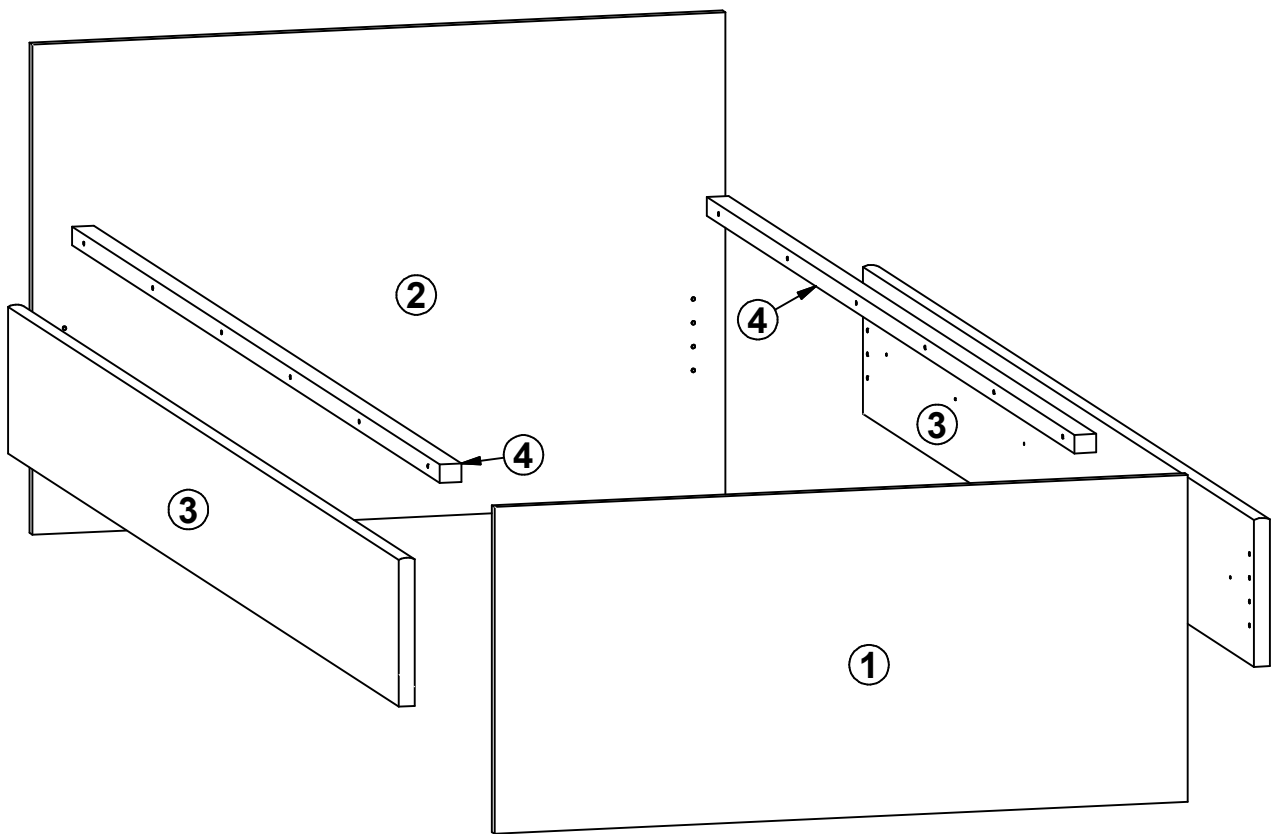
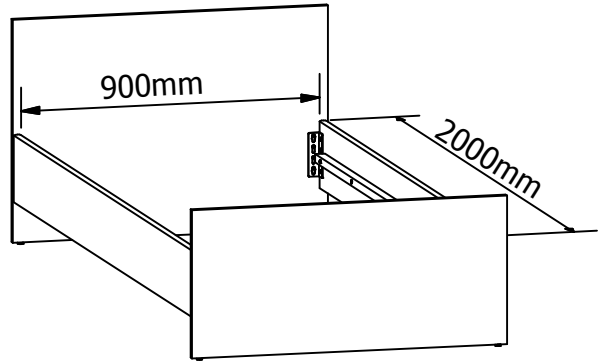
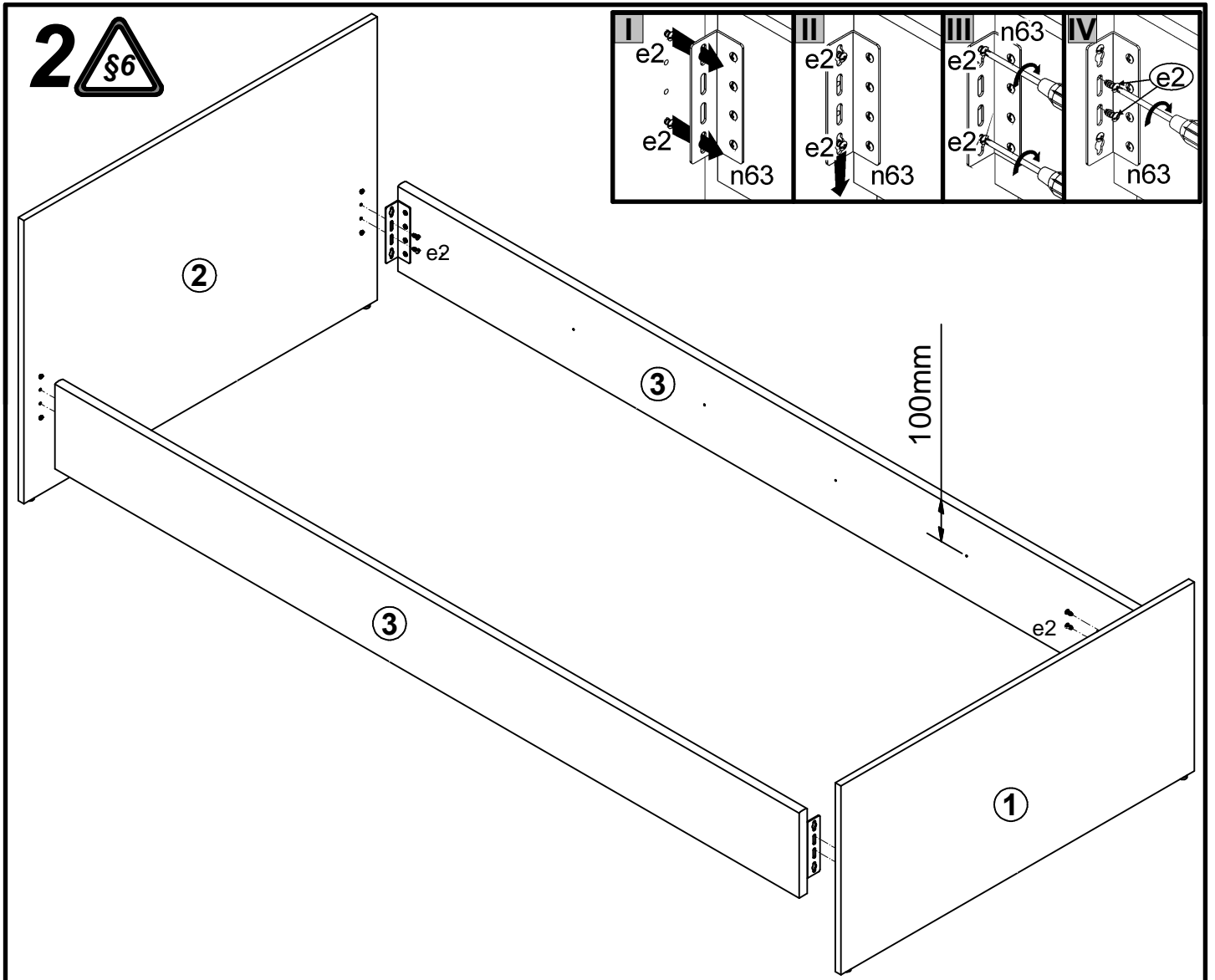
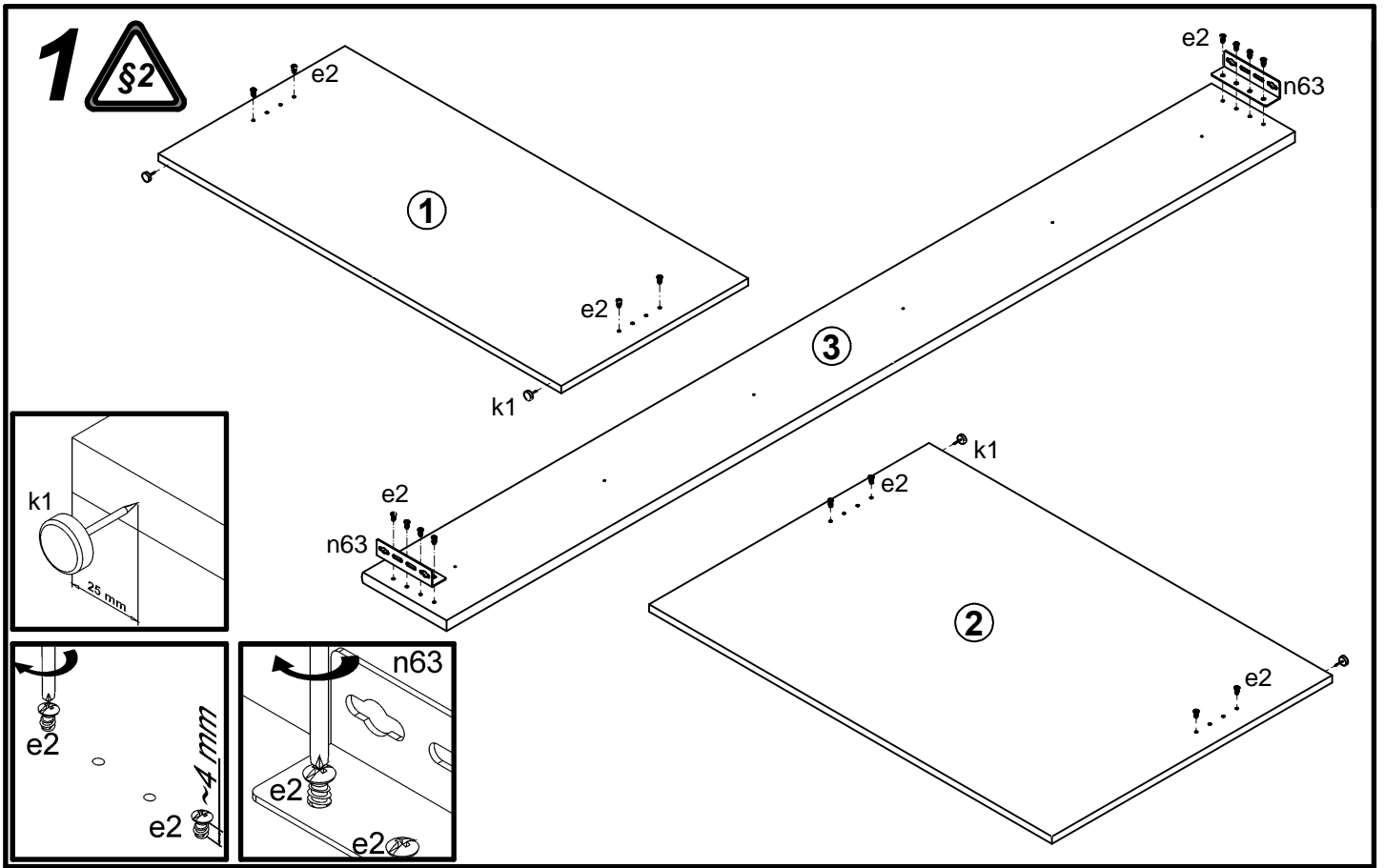


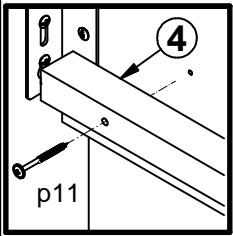
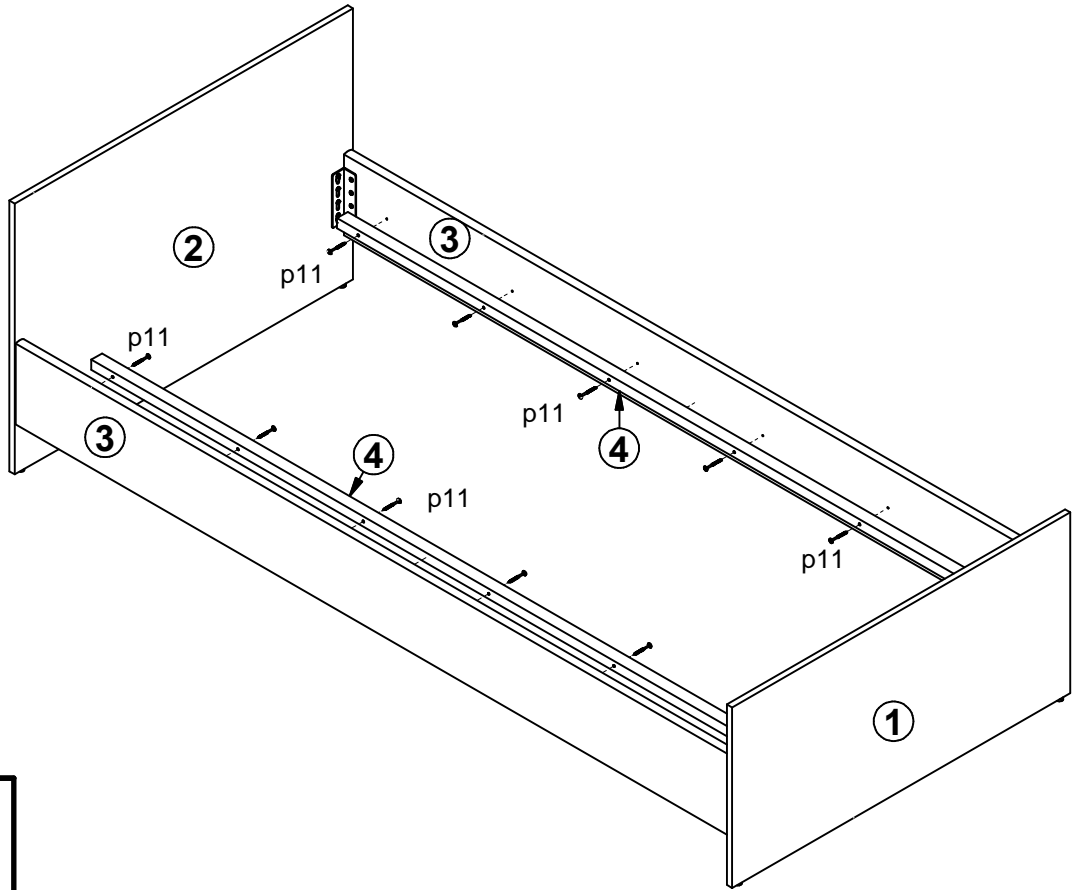
A	B	C	D
1	S301-016	950	440 1/2
2	S301-017	950	660 1/2
3	S301-131	2000	200 2/2
4	ZZ1-720	1880	25 2/2



- 32x e2 4x k1
- 4x n63 6x p6 12x p11
- Ø6.3x13 mm 130x34x34/2 mm Ø4x35 mm Ø4x45 mm



3



4

