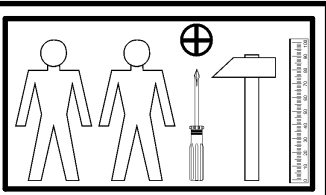
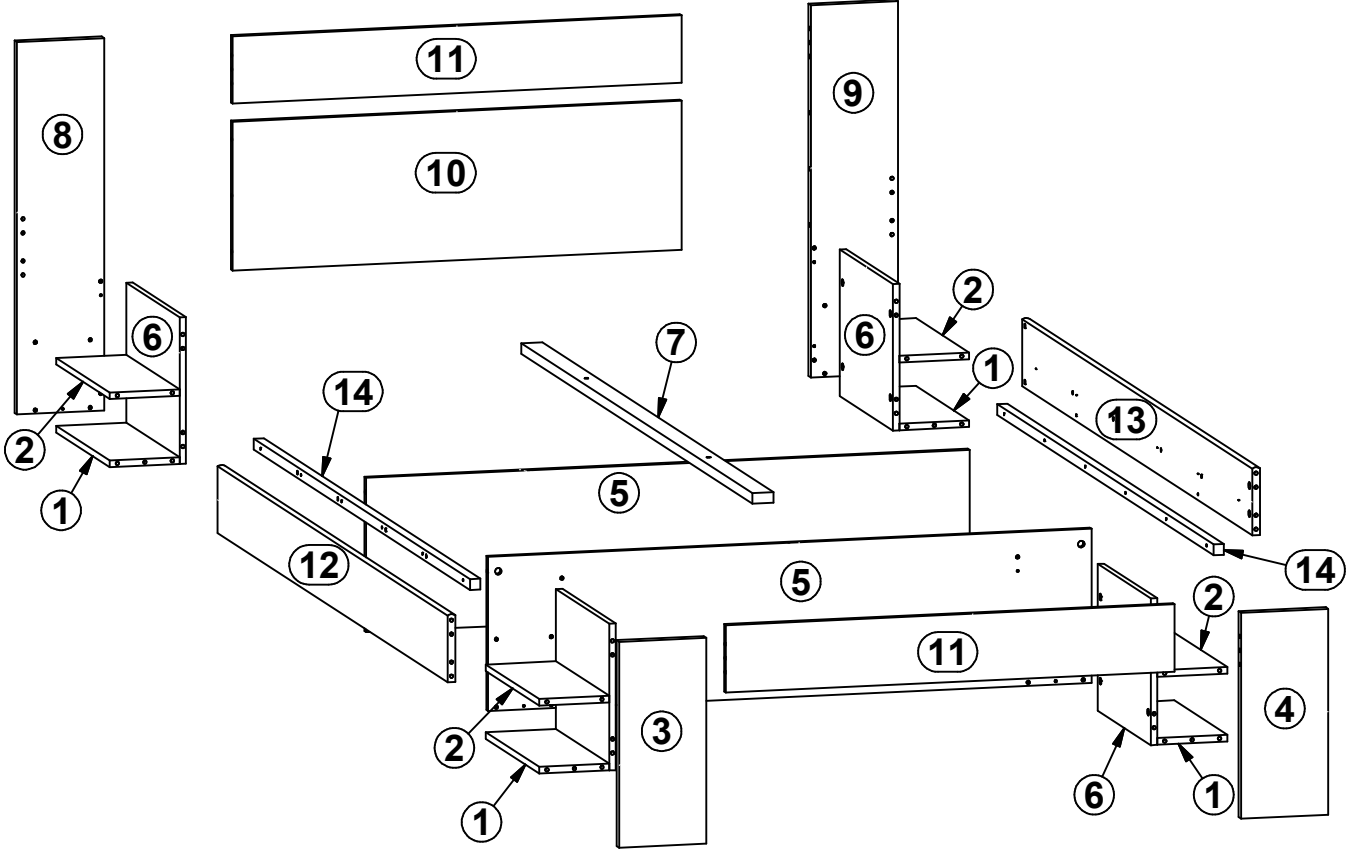
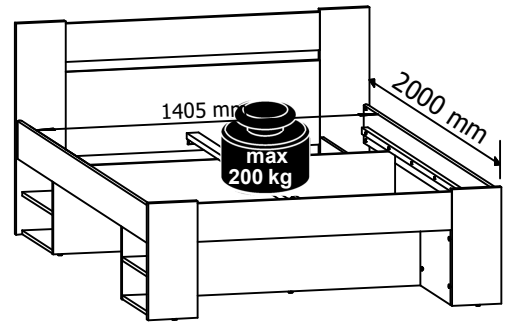
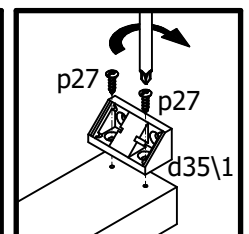
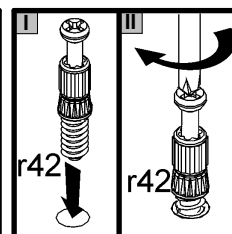
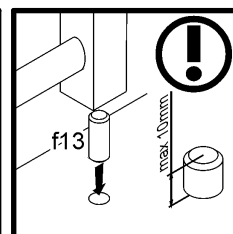
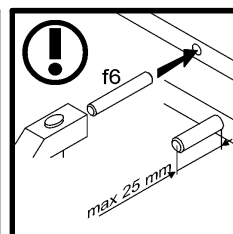
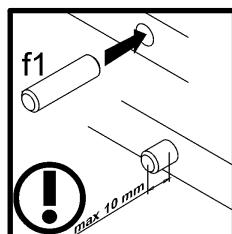
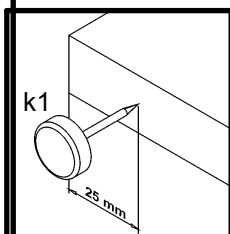
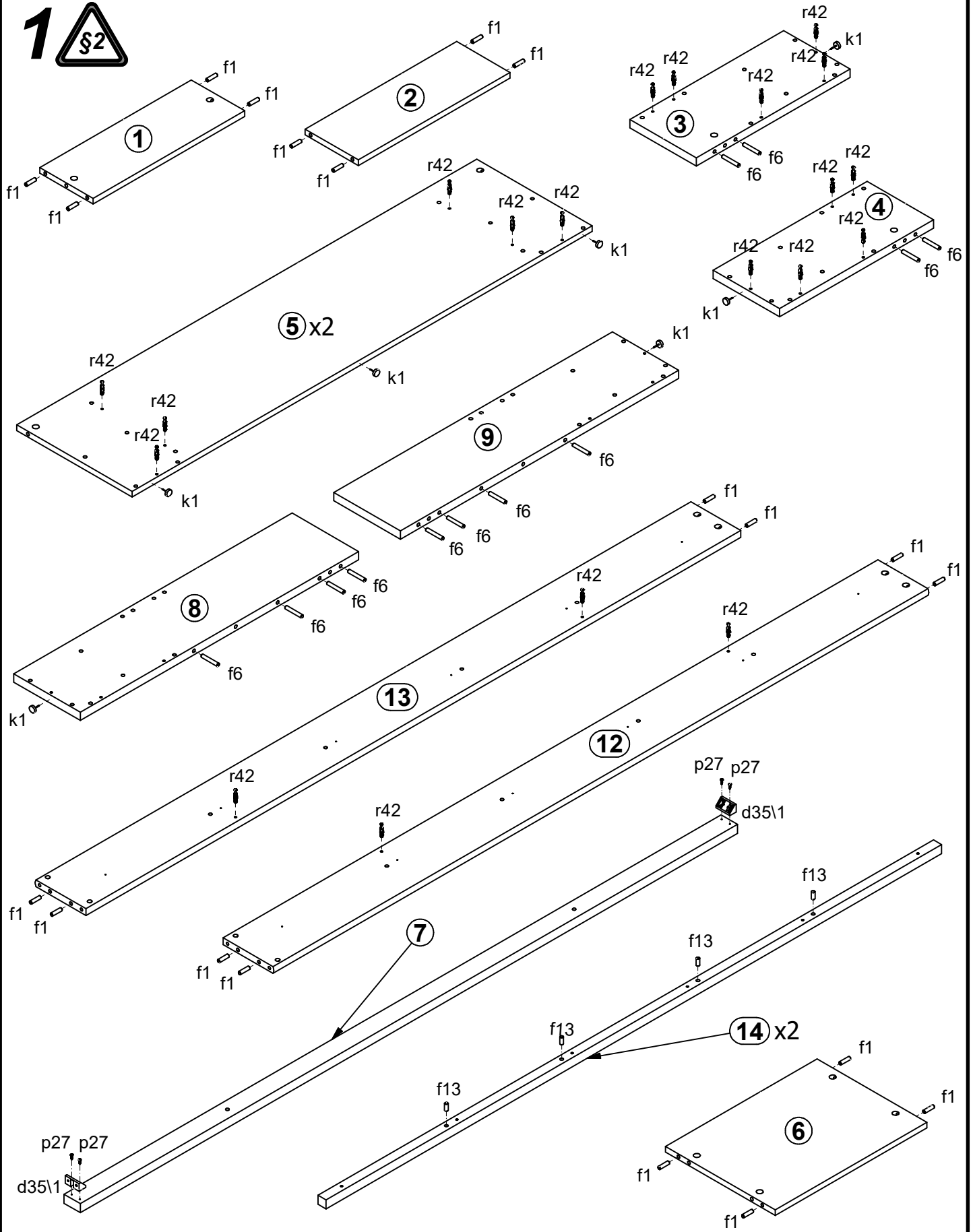


A	B	C	D	A	B	C	D		
1	S435-3028	463	163	2/2	8	S435-4040	850	203	2/2
2	S435-3029	463	163	2/2	9	S435-4041	850	203	2/2
3	S435-4034	470	203	2/2	10	S435-4042	1045	340	1/2
4	S435-4035	470	203	2/2	11	S435-4043	1045	154	1/2
5	S435-4036	1405	352	1/2	12	S435-4044	2000	155	2/2
6	S435-4037	335	463	1/2	13	S435-4045	2000	155	2/2
7	S435-4038	2007	50	2/2	14	S435-7006	1880	25	2/2

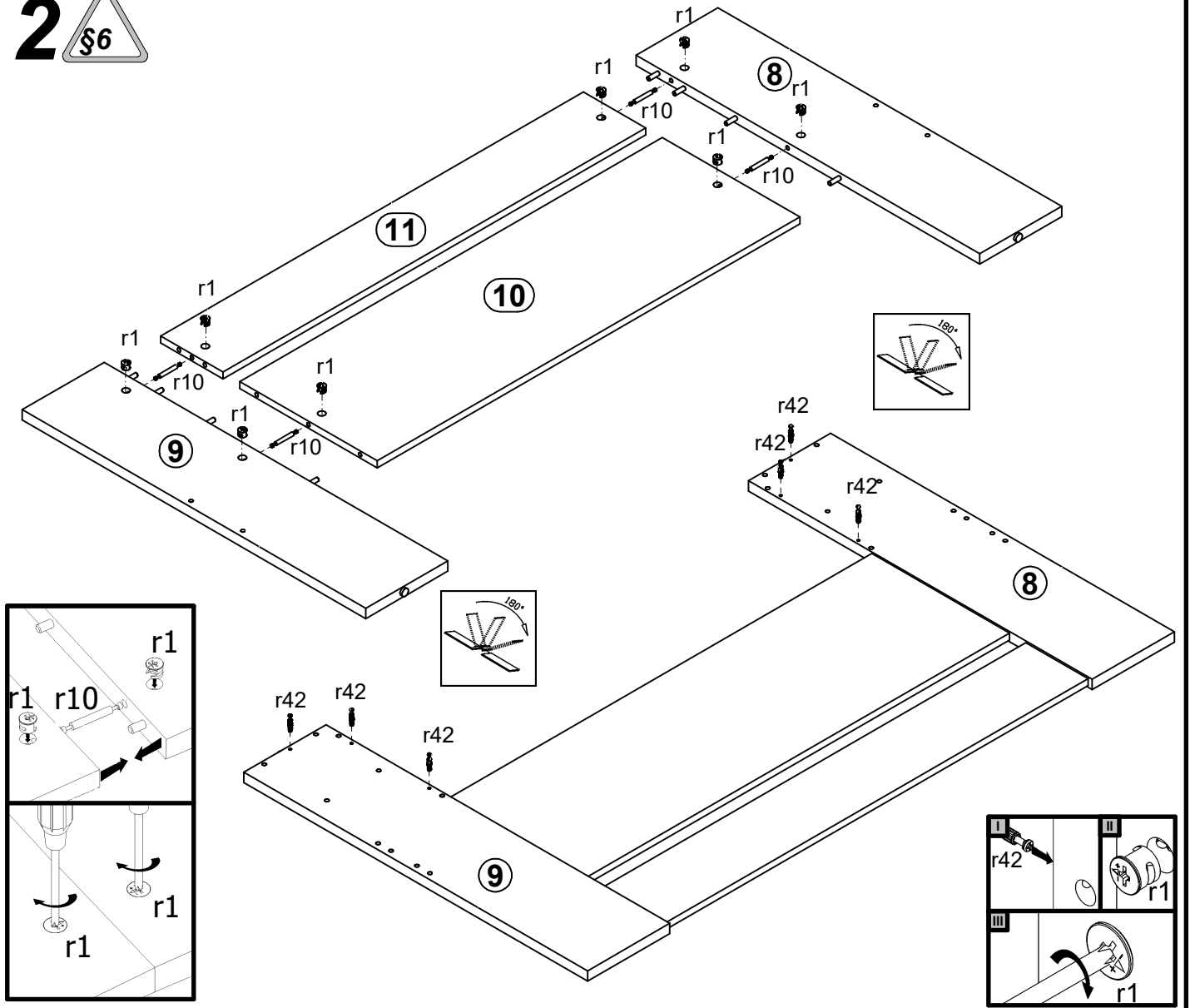


2x  d35/1	2x  d35/2	2x  e8 Ø7x60 mm	56x  f1 Ø8x30 mm	12x  f6 Ø8x50 mm	8x  f13 Ø8x20 mm	4x  j144 M6x60 mm	10x  k1	6x  p6 Ø4x35 mm
12x  p26 Ø4x35 mm	8x  p27 Ø3.5x13 mm	44x  r1 Ø15x12 mm #16	4x  r5/1 Ø10x13 mm	6x  r10	32x  r42 20/11	14x  s2 Ø16	1x  z1 4 mm	

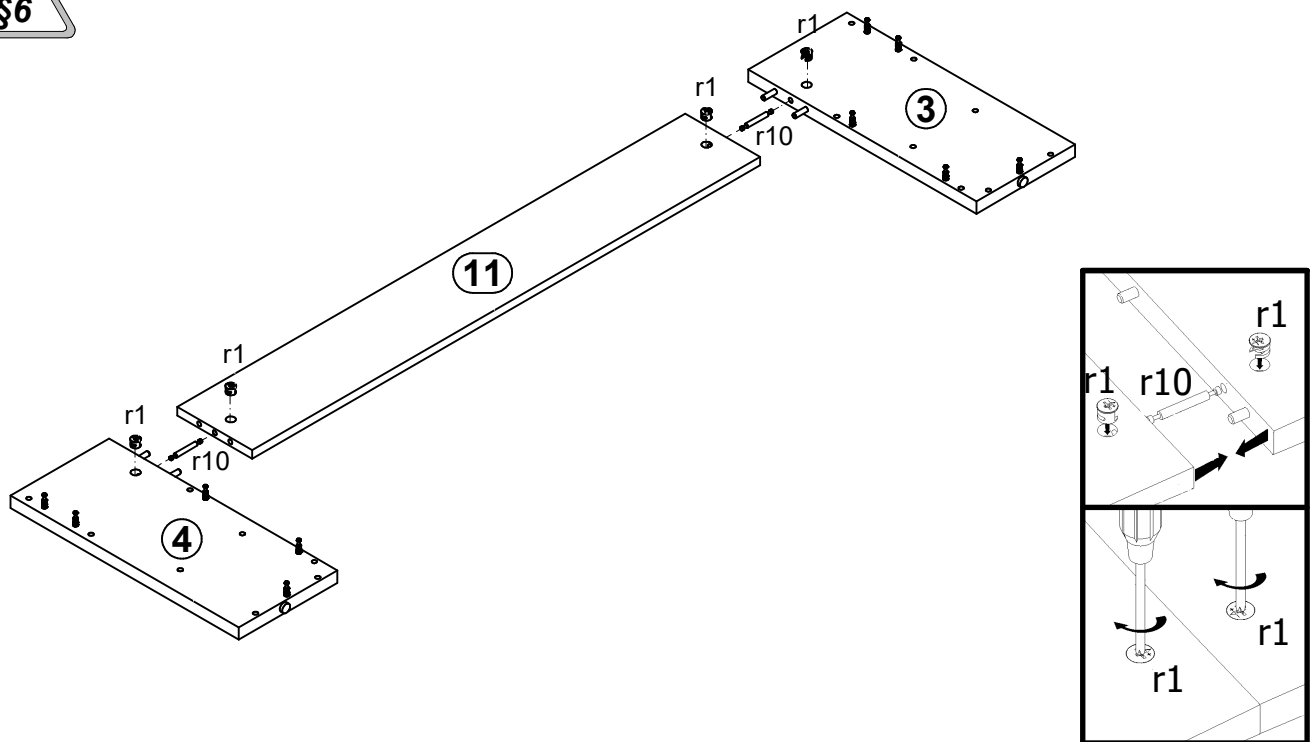
1 



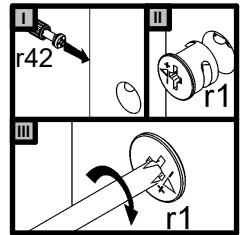
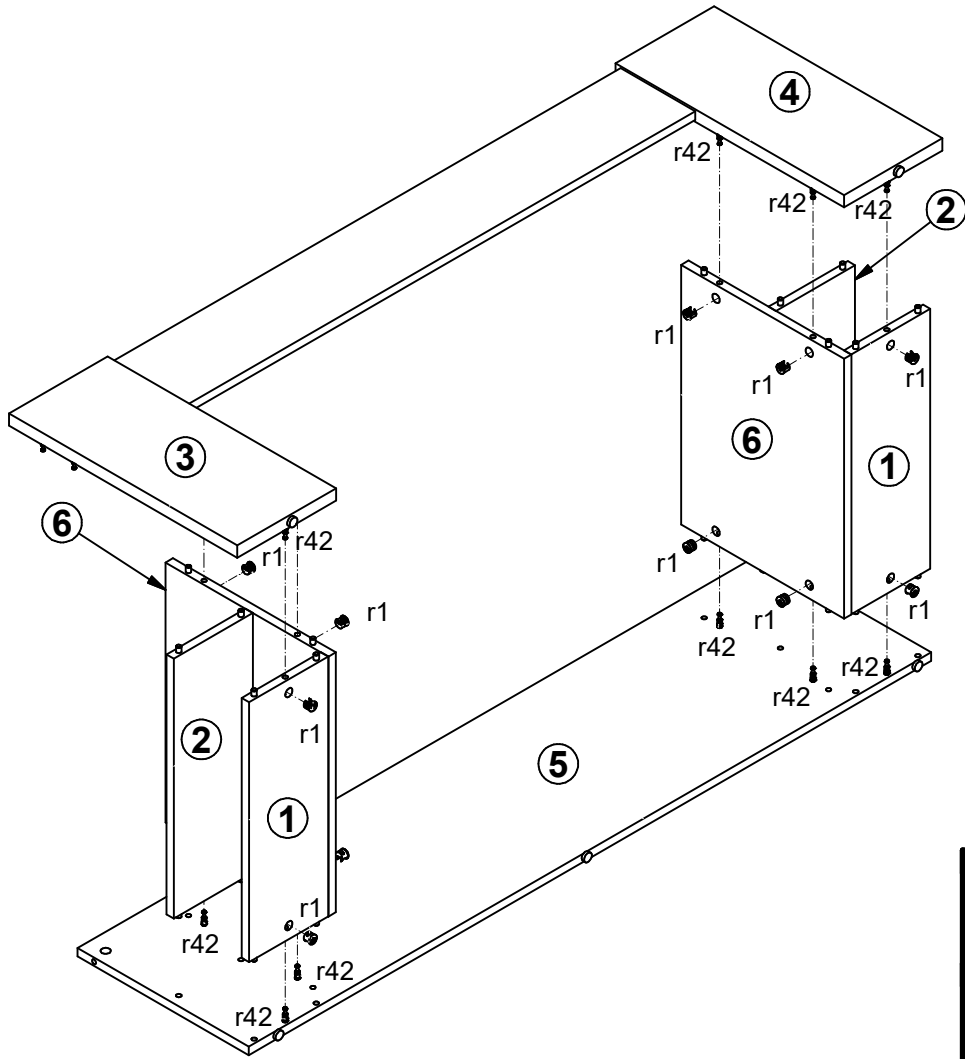
# 2



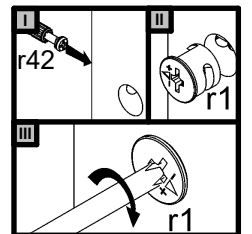
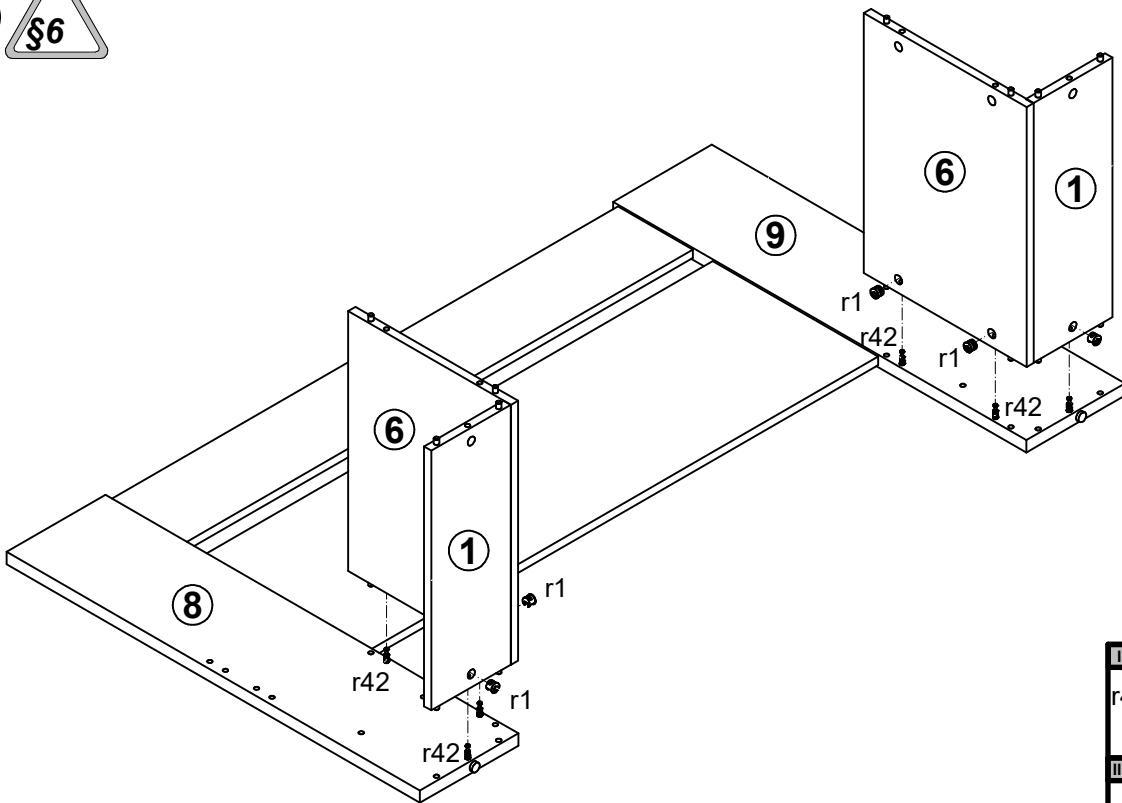
# 3

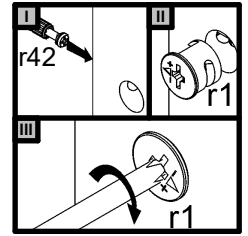
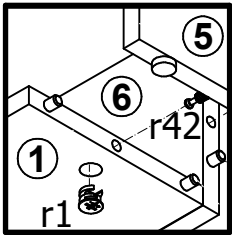
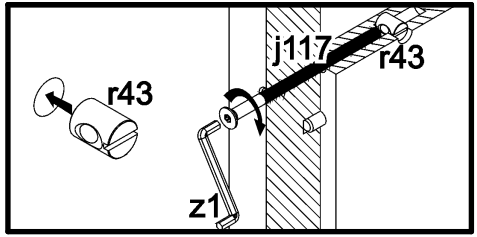
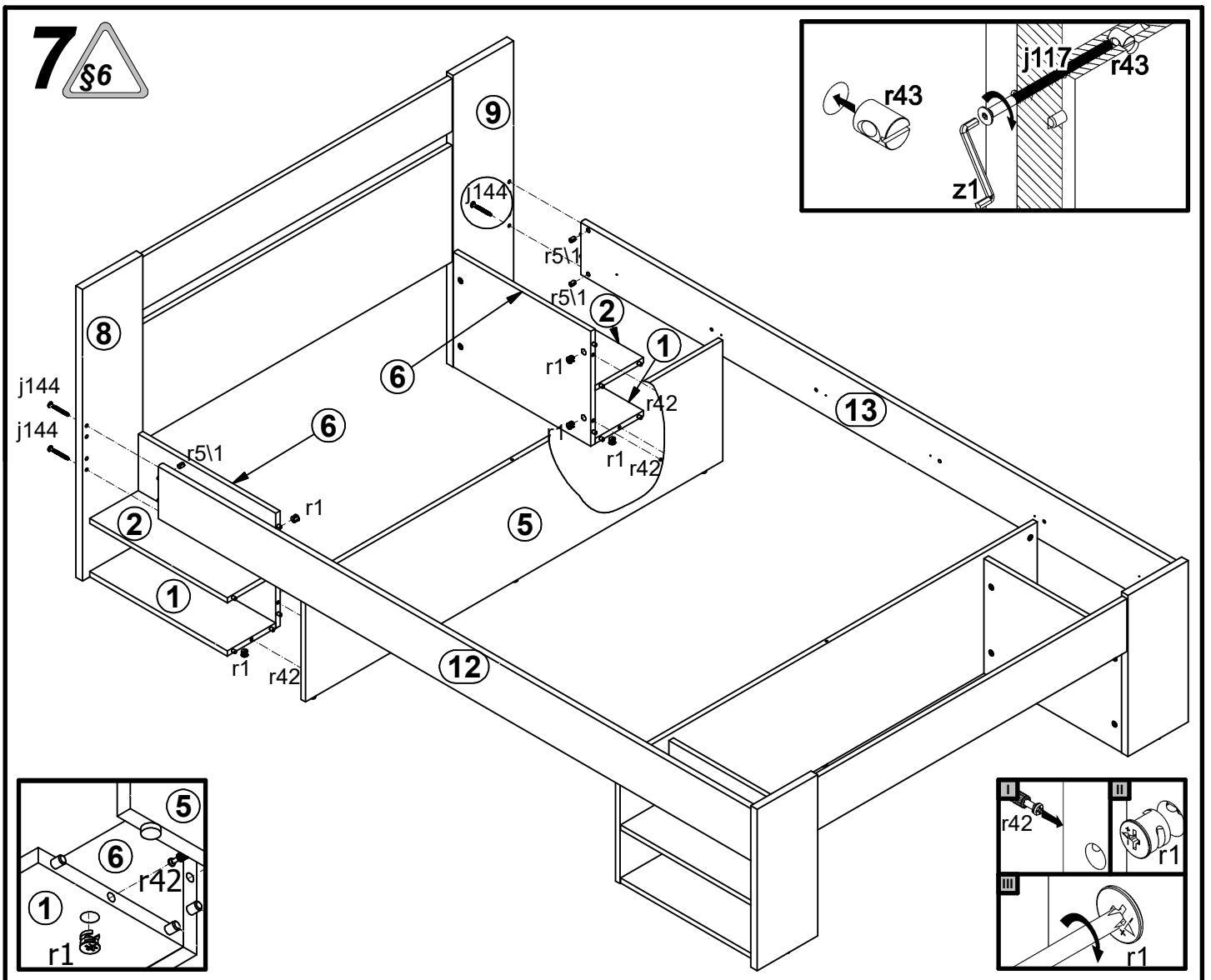
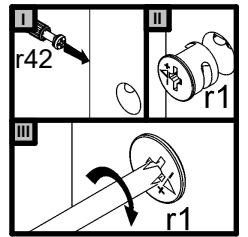
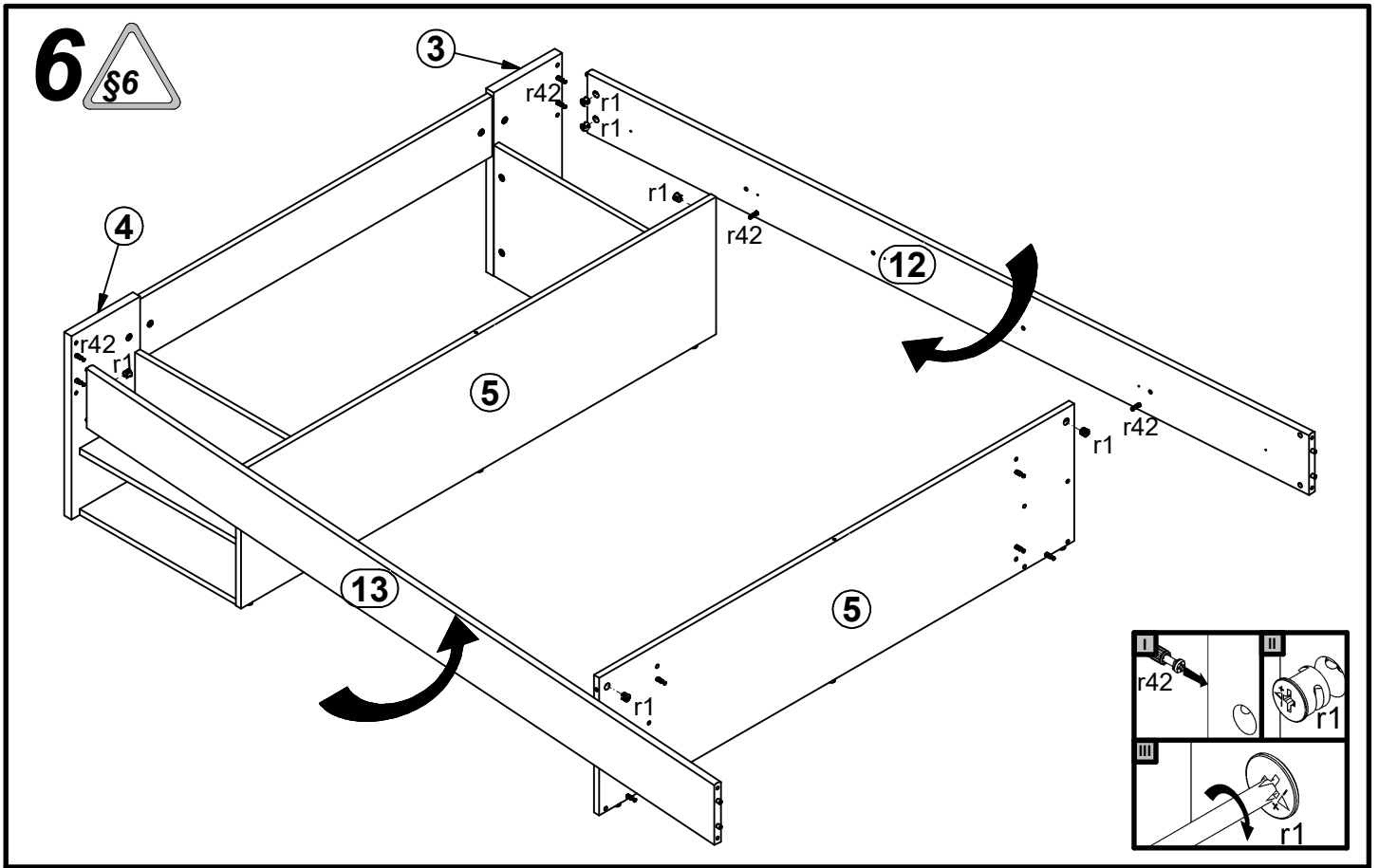


# 4

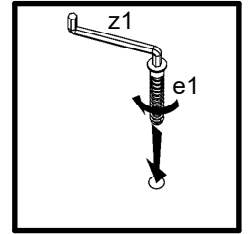
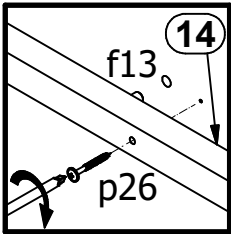
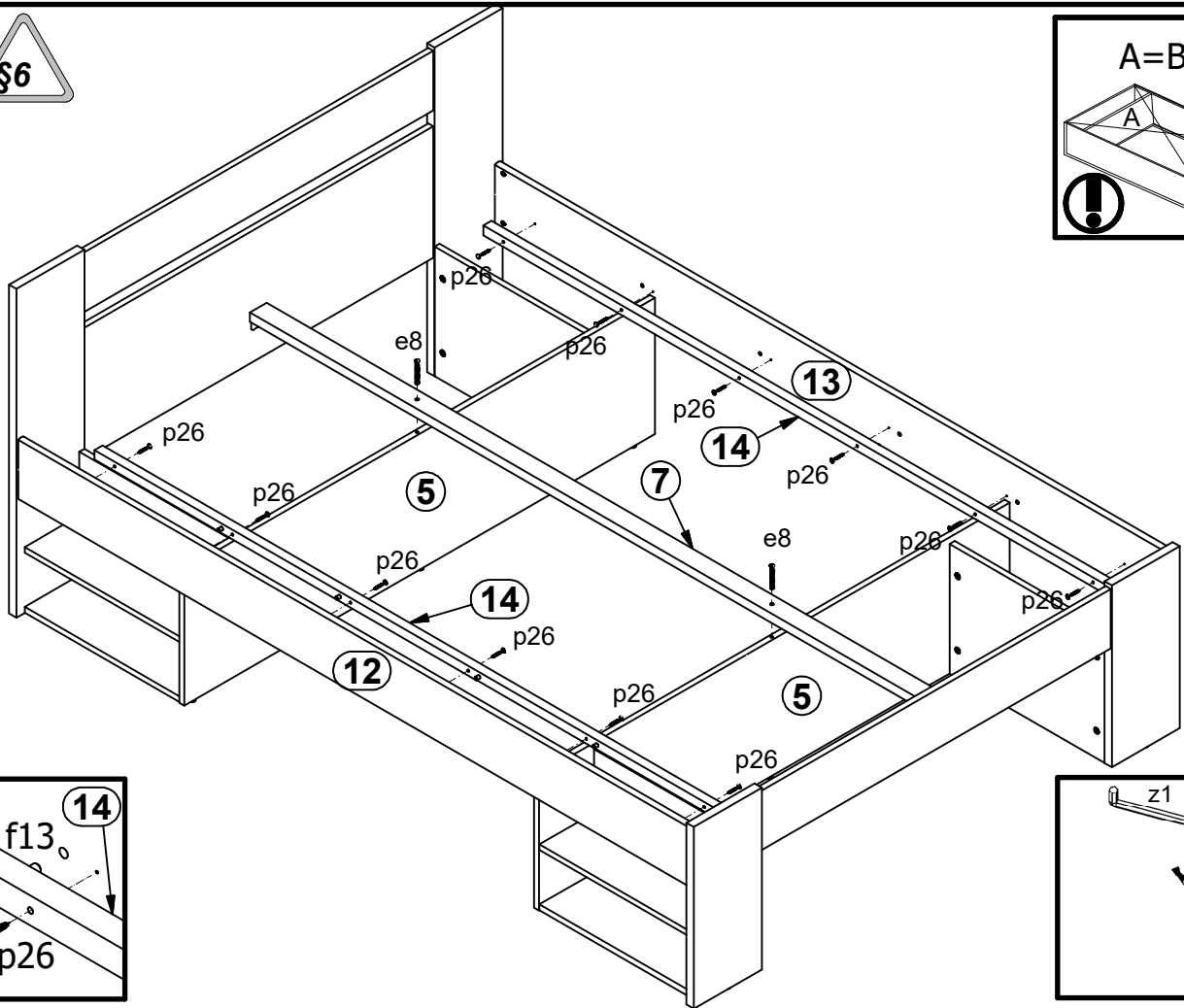
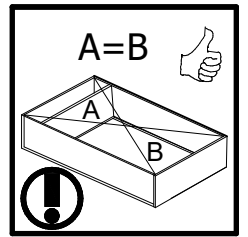


# 5

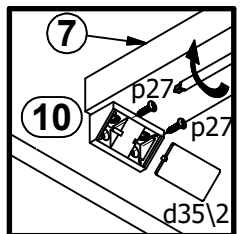
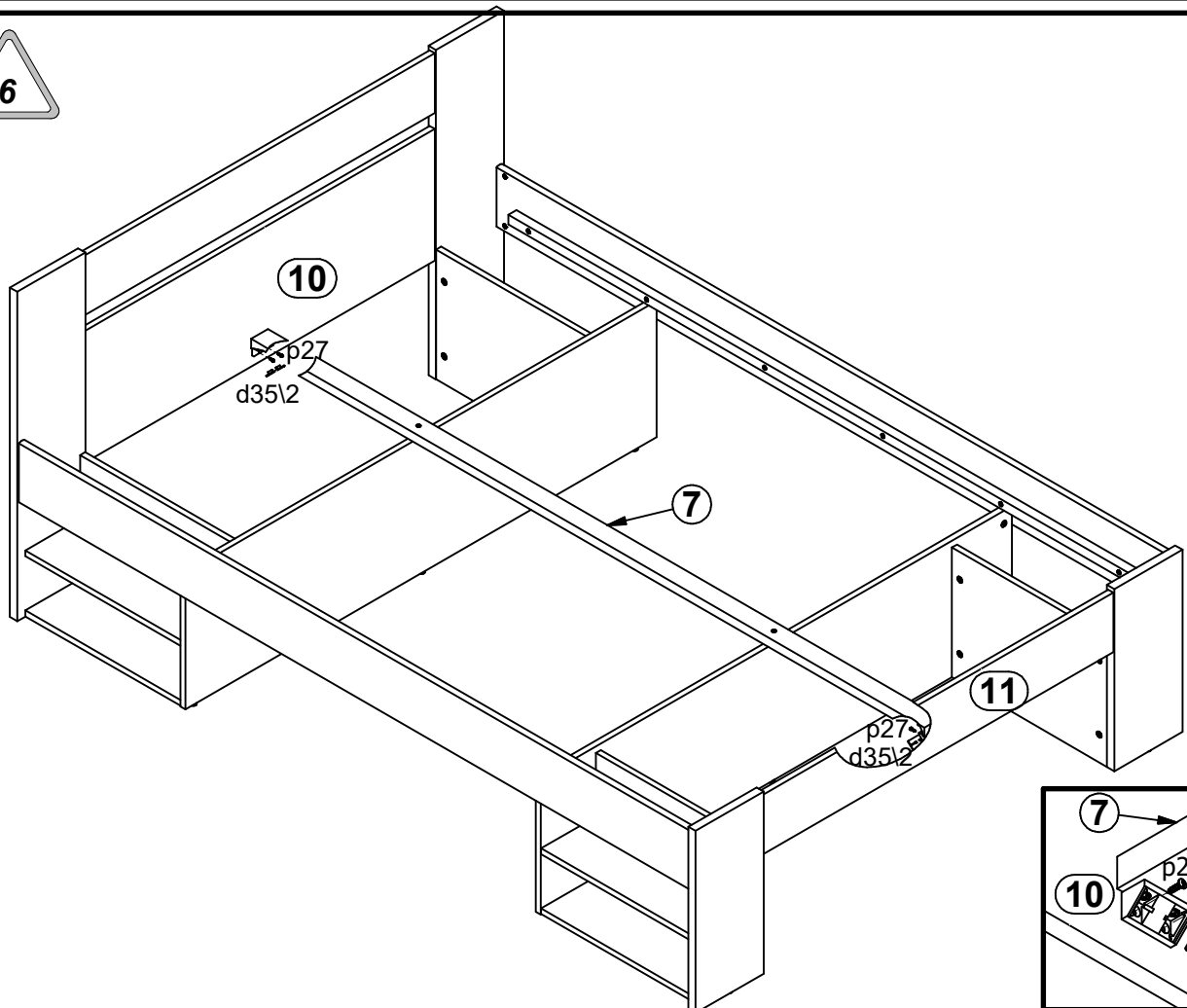




8 §6



9 §6



# 10

