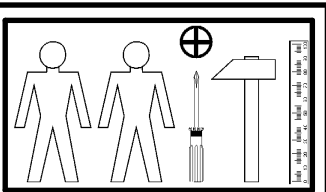
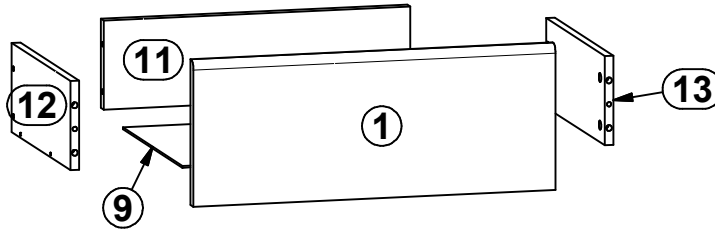
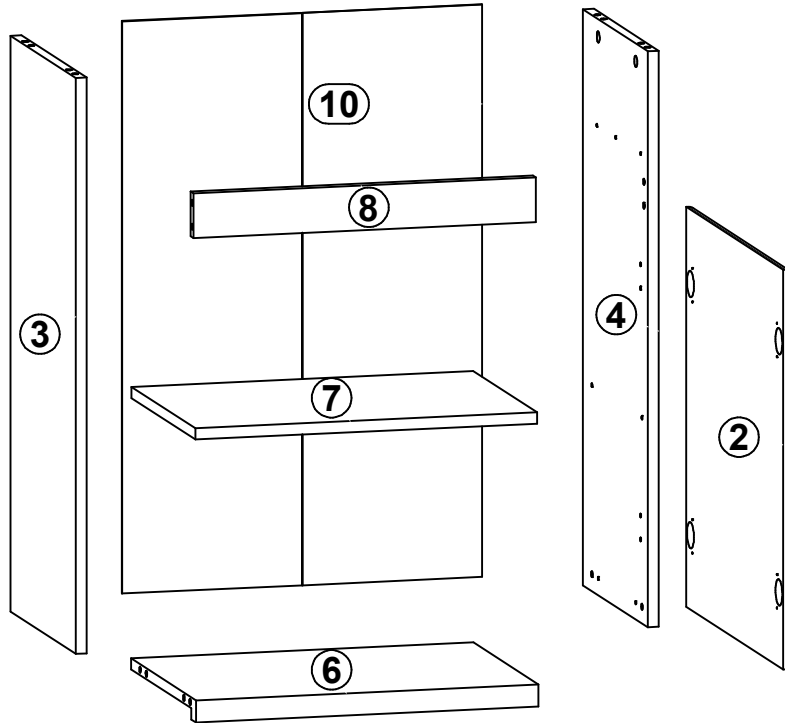
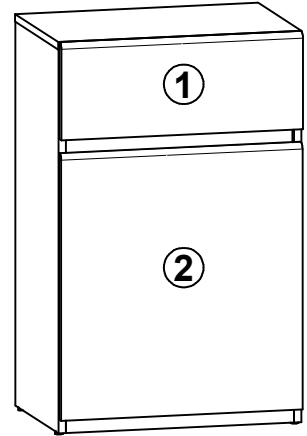
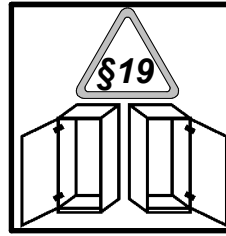
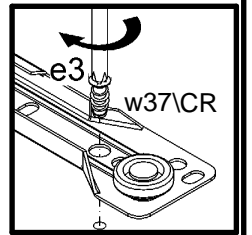
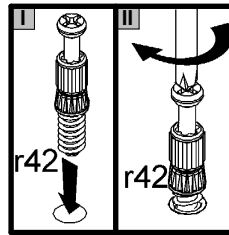
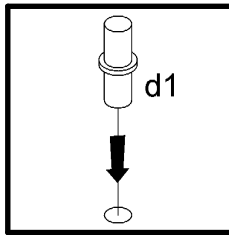
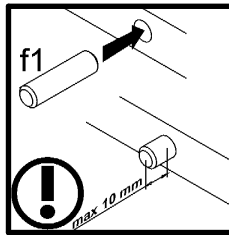
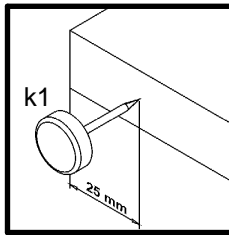
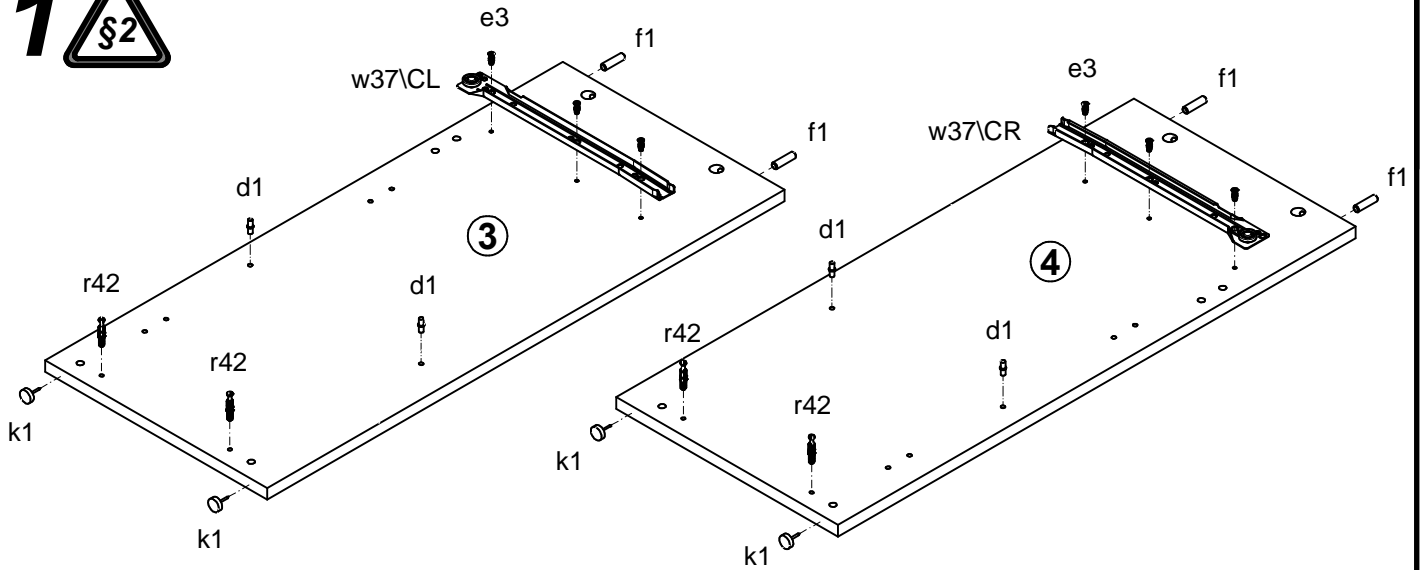


A	B	C	D	
1	S324-004	496	196	2/2
2	S324-020	496	538	2/2
3	S324-128	775	332	1/2
4	S324-129	775	332	1/2
5	S324-201	500	332	1/2
6	S324-303	469	332	1/2
7	S324-324	468	327	1/2
8	S324-402	469	60	1/2
9	S324-904	442	305	1/2
10	S324-921	770	493	1/2
11	ZS3-5535	420	120	1/2
12	ZS4-507	300	120	1/2
13	ZS4-508	300	120	1/2

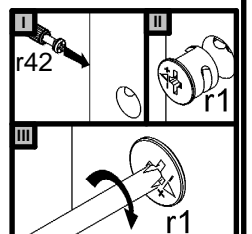
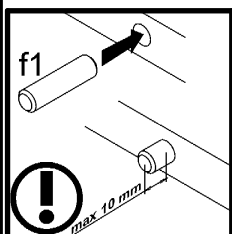
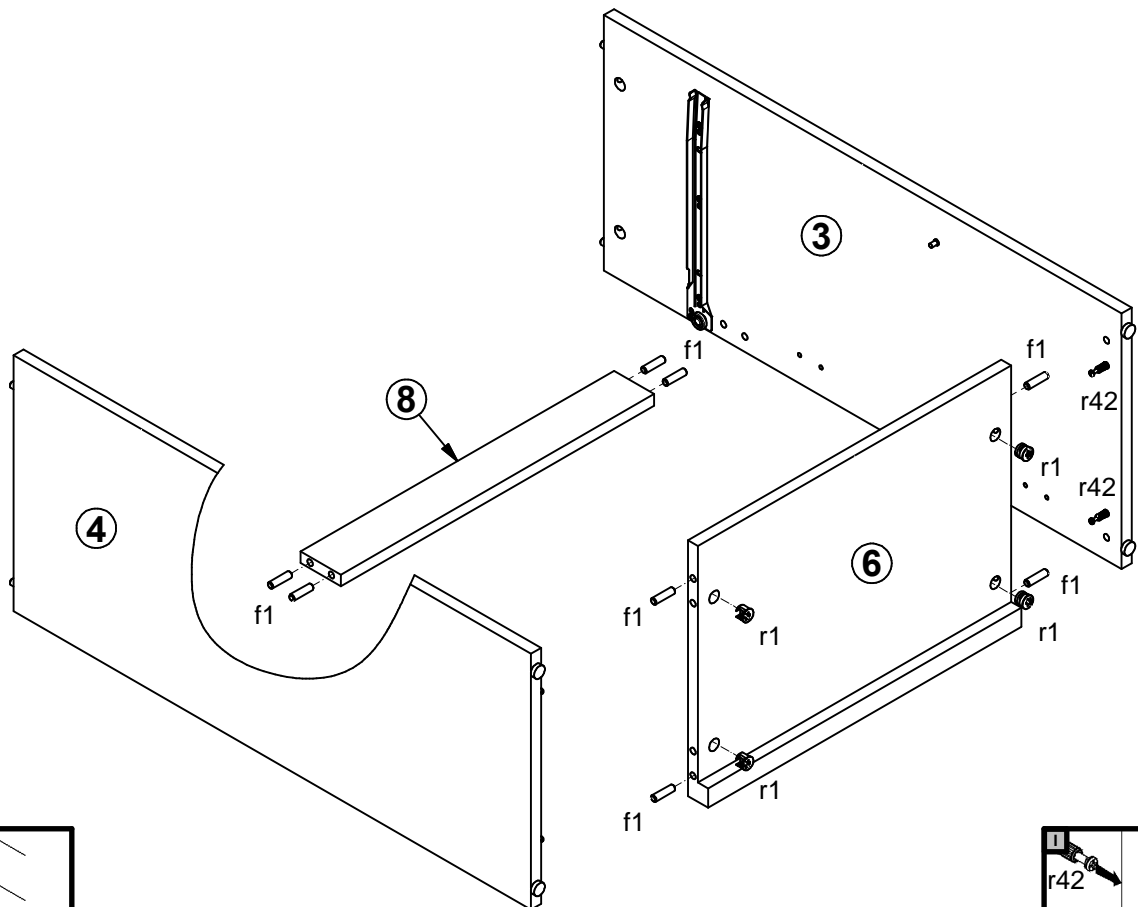


2x a44	2x b19	4x d1 Ø5x17 mm	6x e3 Ø6x13 mm	4x e19 Ø5x9 mm	12x f1 Ø8x30 mm	2x f9 Ø6x30 mm	4x f25 Ø6.5x40 mm	4x k1
30x l1	1x n26	4x o21 silikon	5x p38 Ø3.5x16 mm	4x p51 Ø3.5x15 mm	8x r1 Ø15x12 mm #16	4x r15 Ø12x10.5 mm #12	12x r42 20x11	2x s2 Ø16
2x S71 Ø35x62x40x10	1x w37\CL 300 mm	1x w37\CR 300 mm	1x w37\DL 300 mm	1x w37\DR 300 mm				

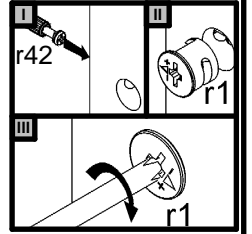
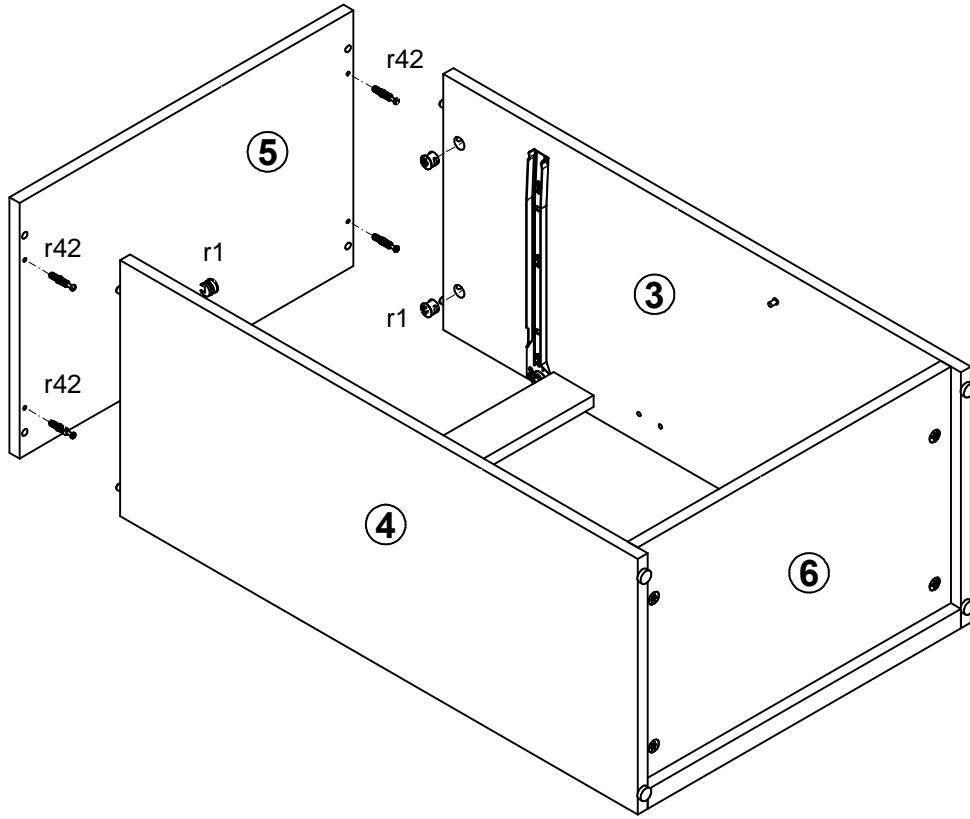
# 1



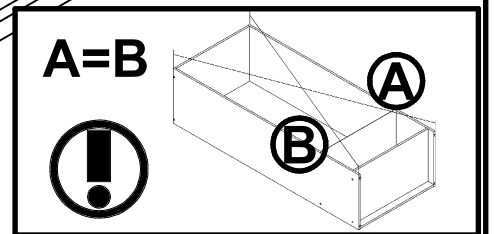
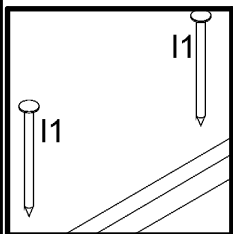
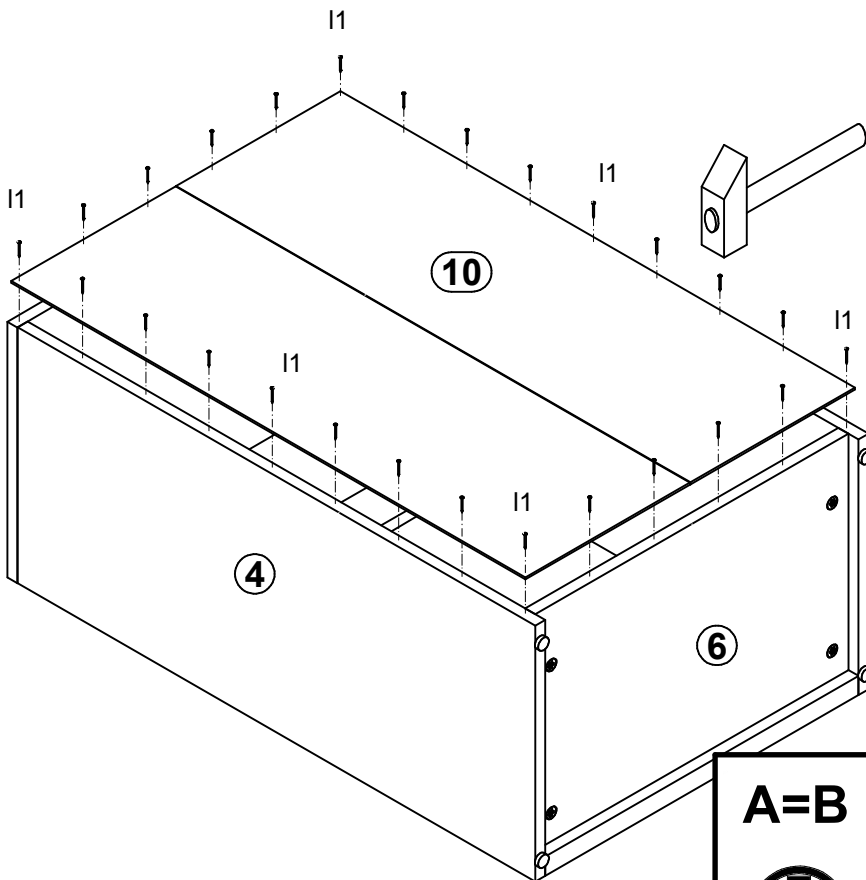
# 2



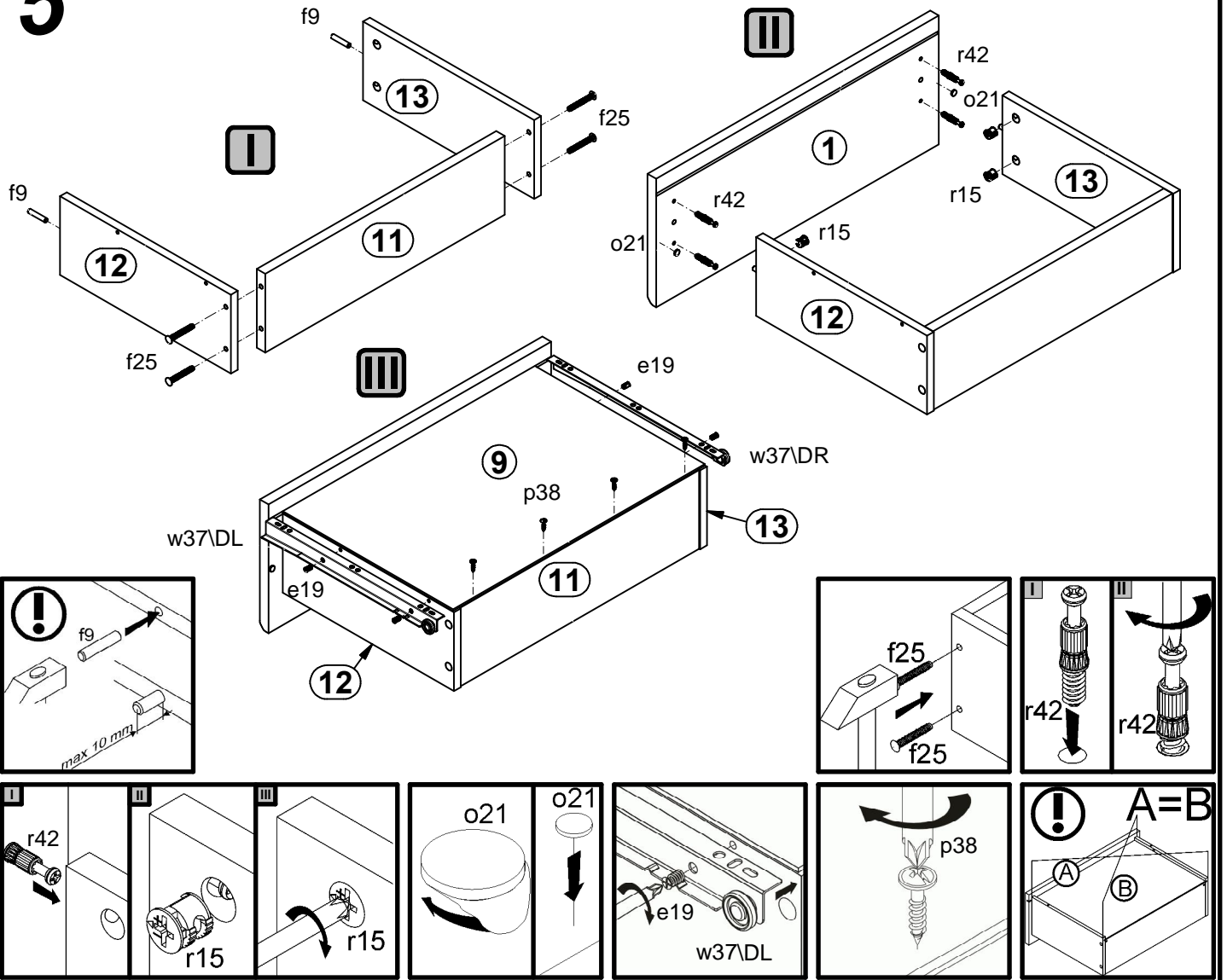
# 3



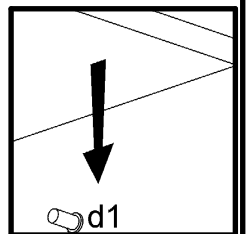
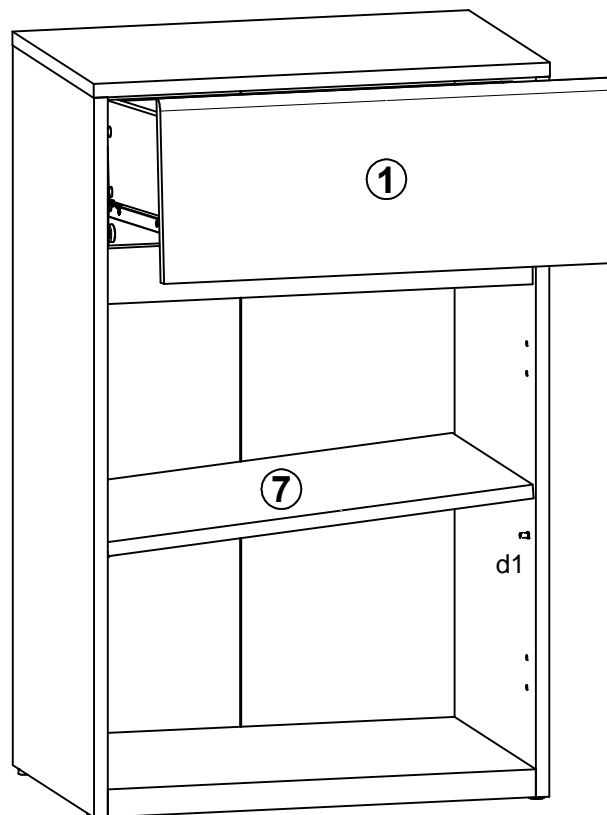
# 4



# 5



# 6



# 7

