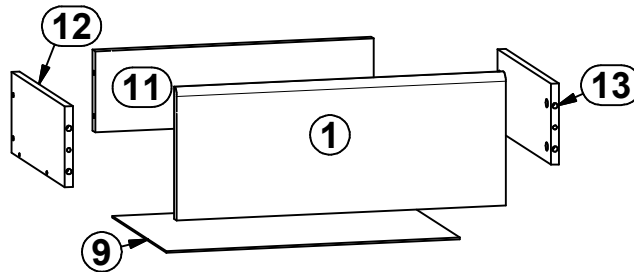
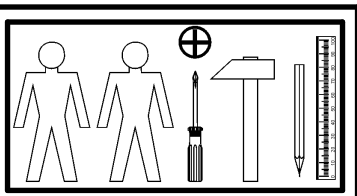
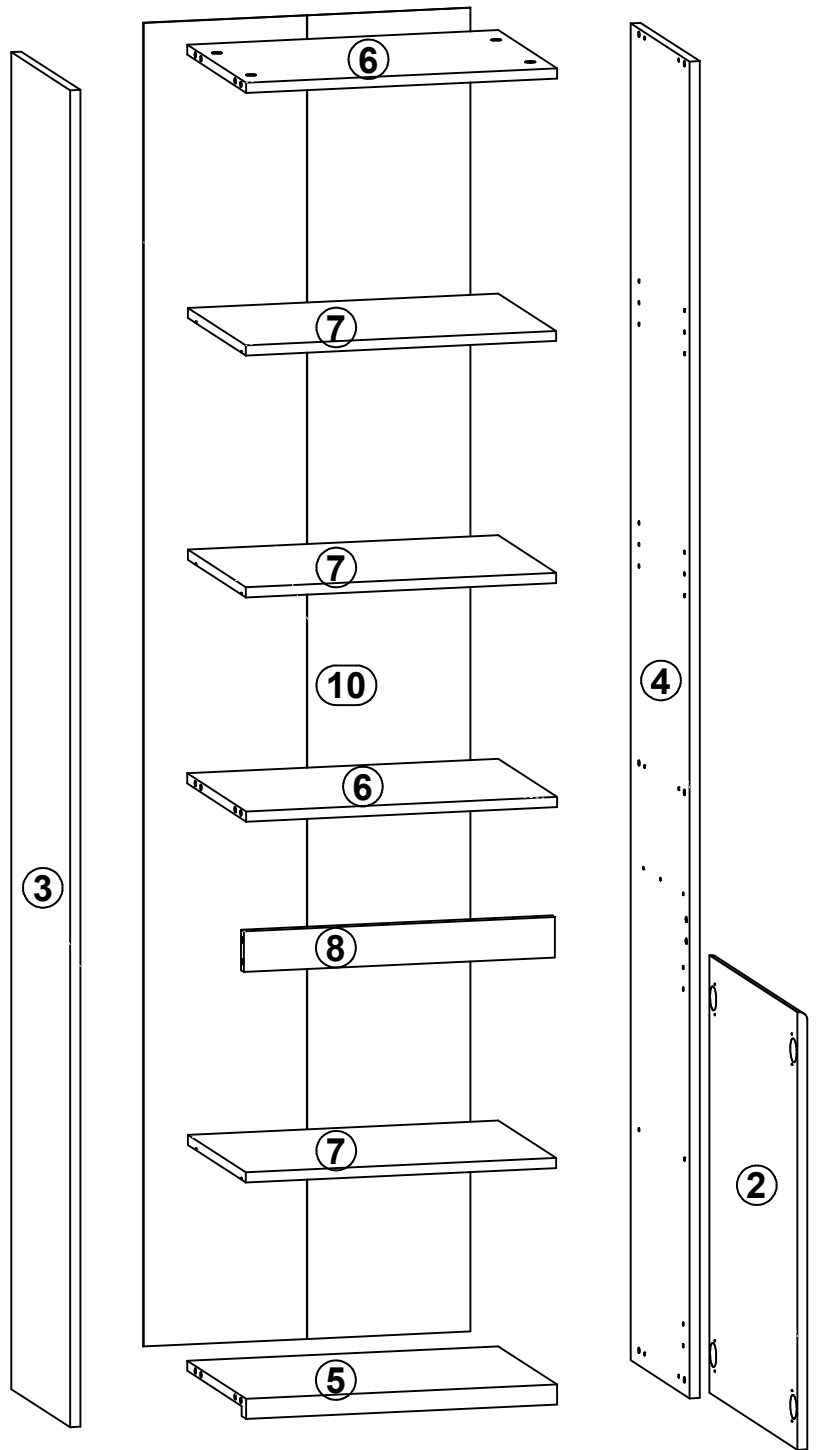
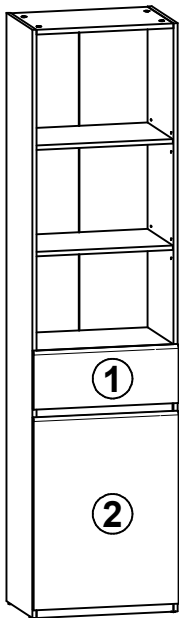
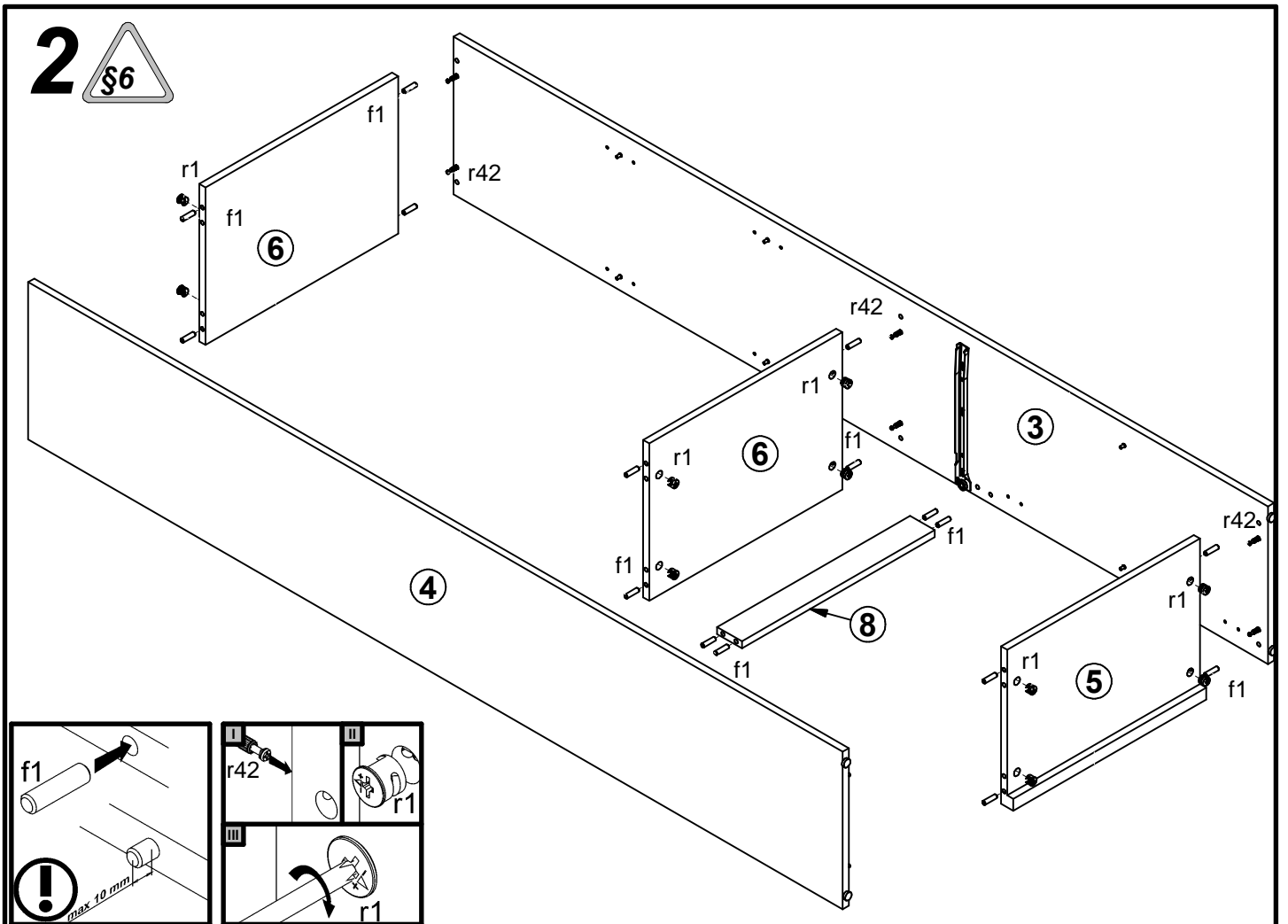
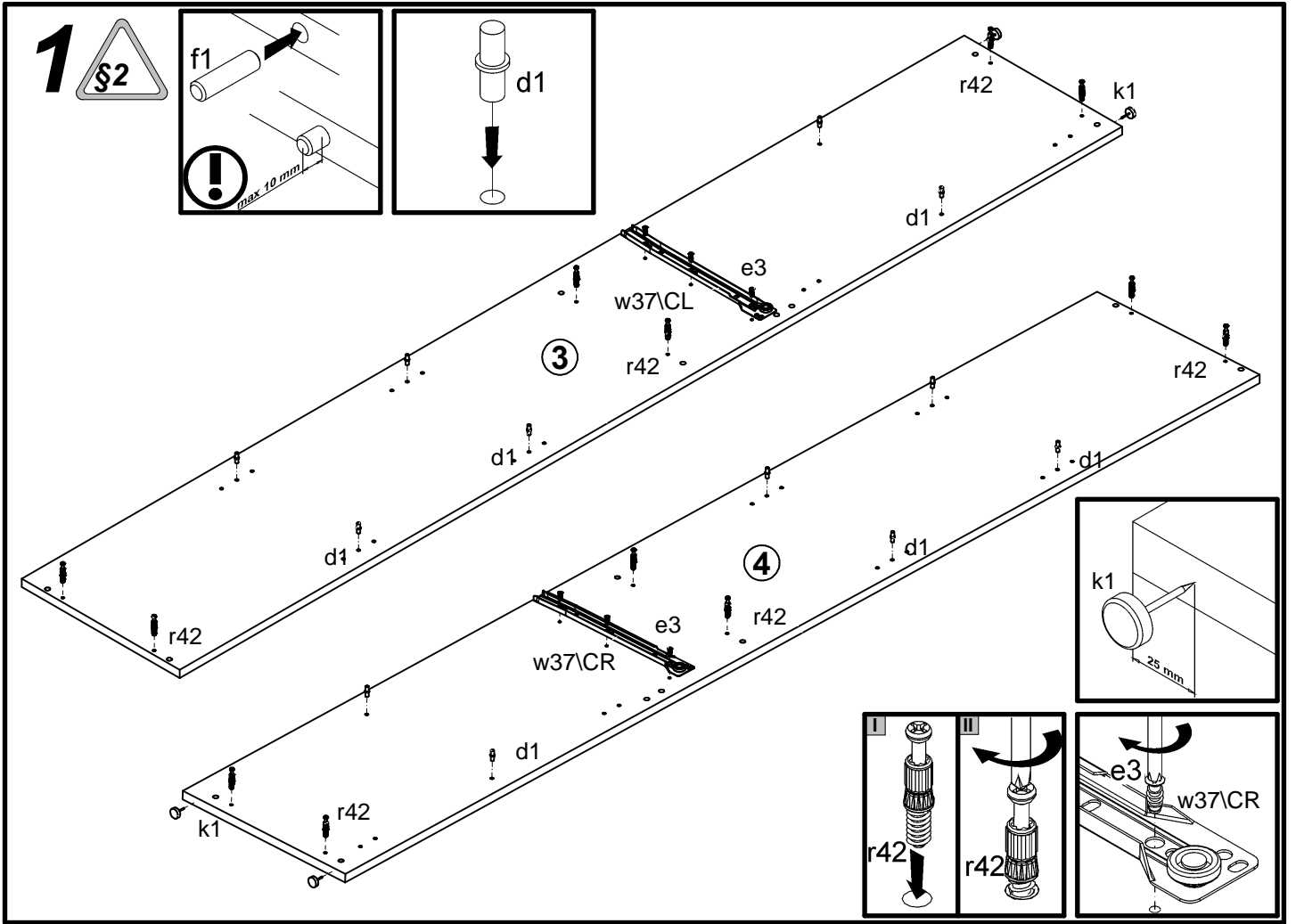
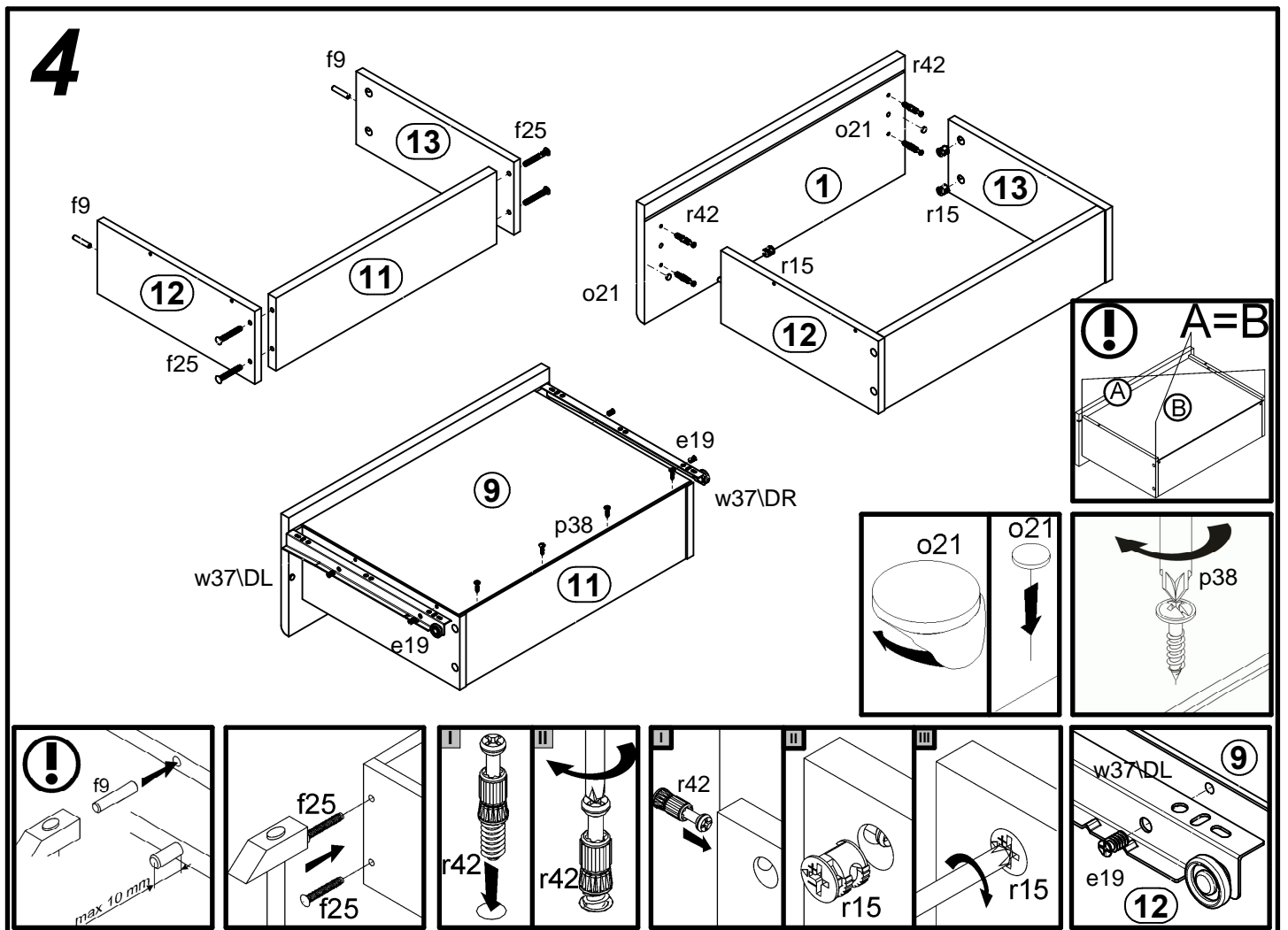
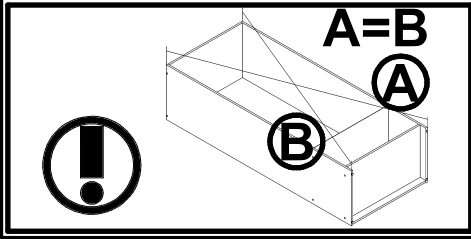
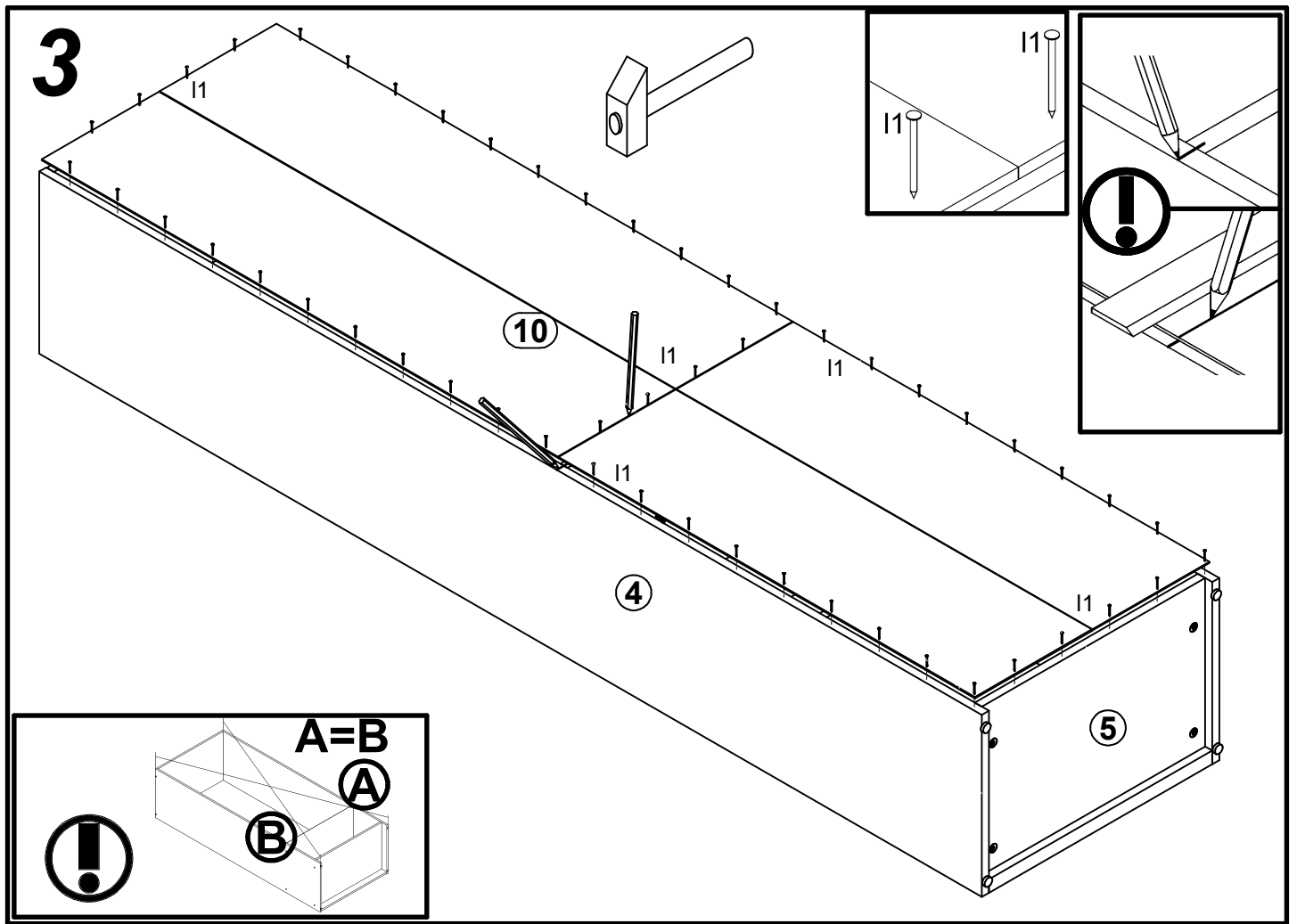


A	B	C	D	
1	S324-004	496	196	3/3
2	S324-024	496	648	3/3
3	S324-134	1980	332	1/3
4	S324-135	1980	332	1/3
5	S324-303	469	332	2/3
6	S324-327	469	332	2/3
7	S324-328	468	326	2/3
8	S324-402	469	60	2/3
9	S324-904	442	305	2/3
10	S324-928	1960	493	1/3
11	ZS3-5535	420	120	2/3
12	ZS4-507	300	120	2/3
13	ZS4-508	300	120	2/3



2x a44	4x b19	12x d1 φ5x17 mm	6x e3 Ø6x13 mm	4x e19 Ø5x9 mm	16x f1 φ8x30 mm	2x f9 Ø6x30 mm	4x f25 Ø6.5x40 mm	4x k1
60x l1	4x o21 silikon	4x p38 φ3.5x16 mm	8x p51 φ3.5x15 mm	12x r1 φ1.5x12mm #16	4x r15 Ø12x10.5 mm #12	16x r42	2x S71 Ø35x62x40x10	1x w37 CL 300 mm
1x w37 CR 300 mm	1x w37 DL 300 mm	1x w37 DR 300 mm	1x n26 1	1x p38 φ3.5x16 mm				





5

