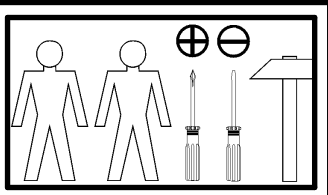
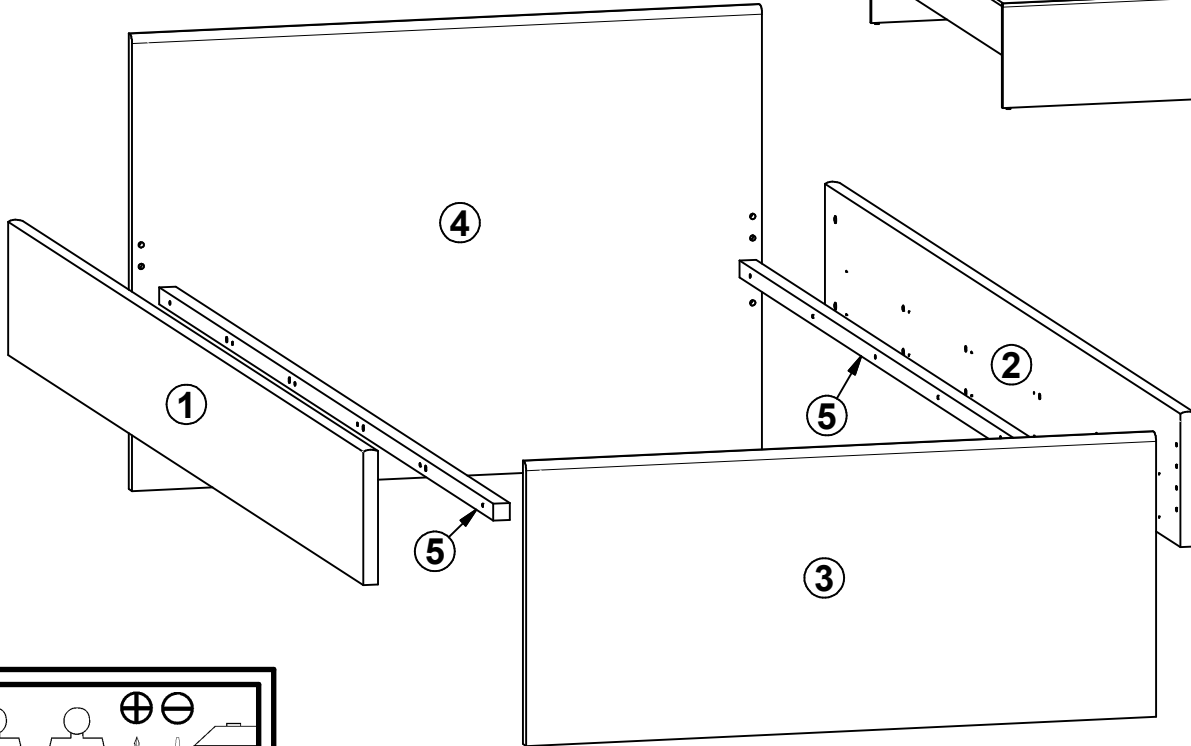
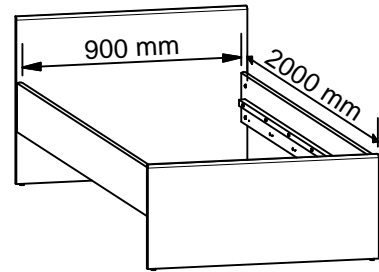
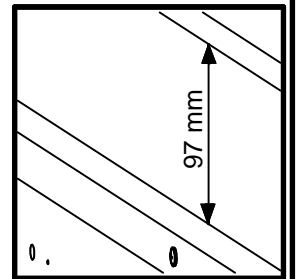
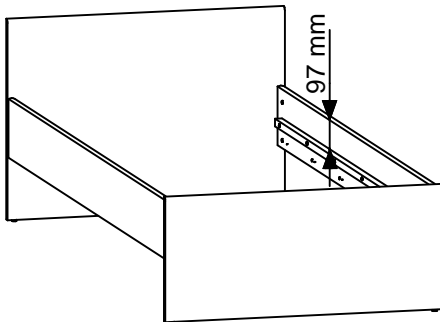
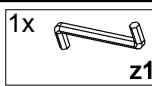
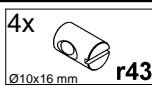
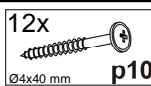
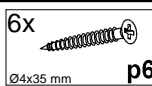
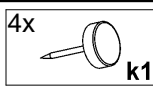
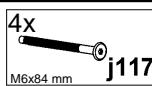
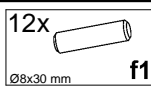
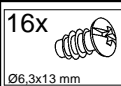
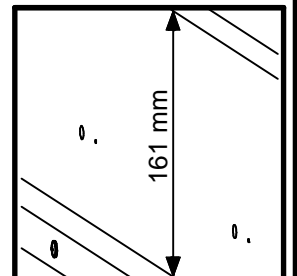
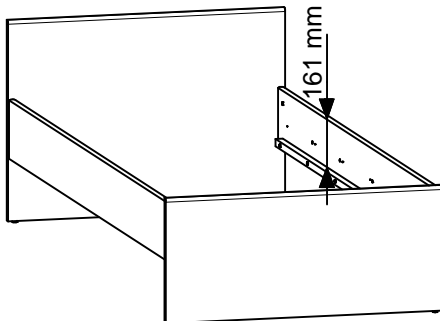
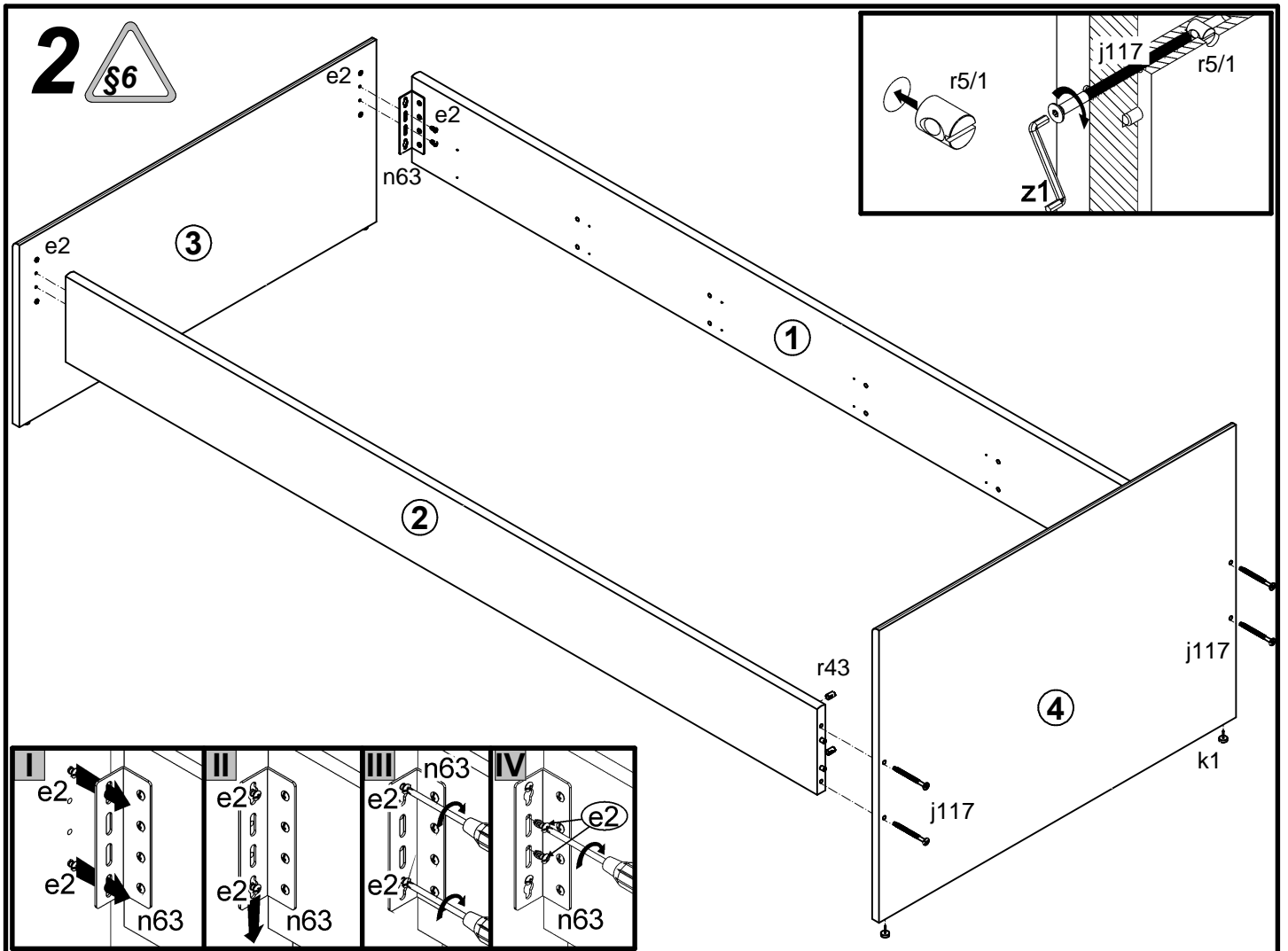
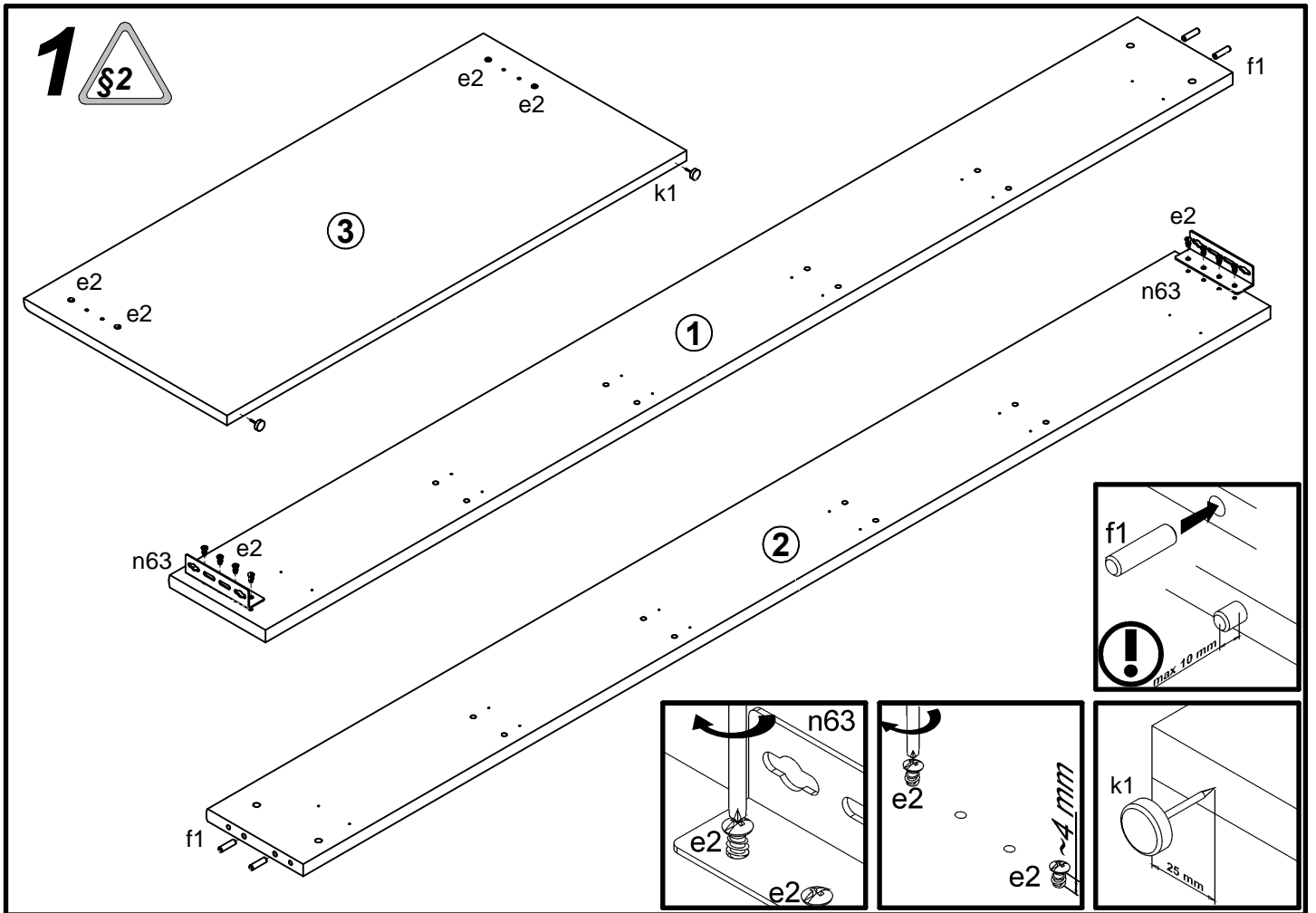


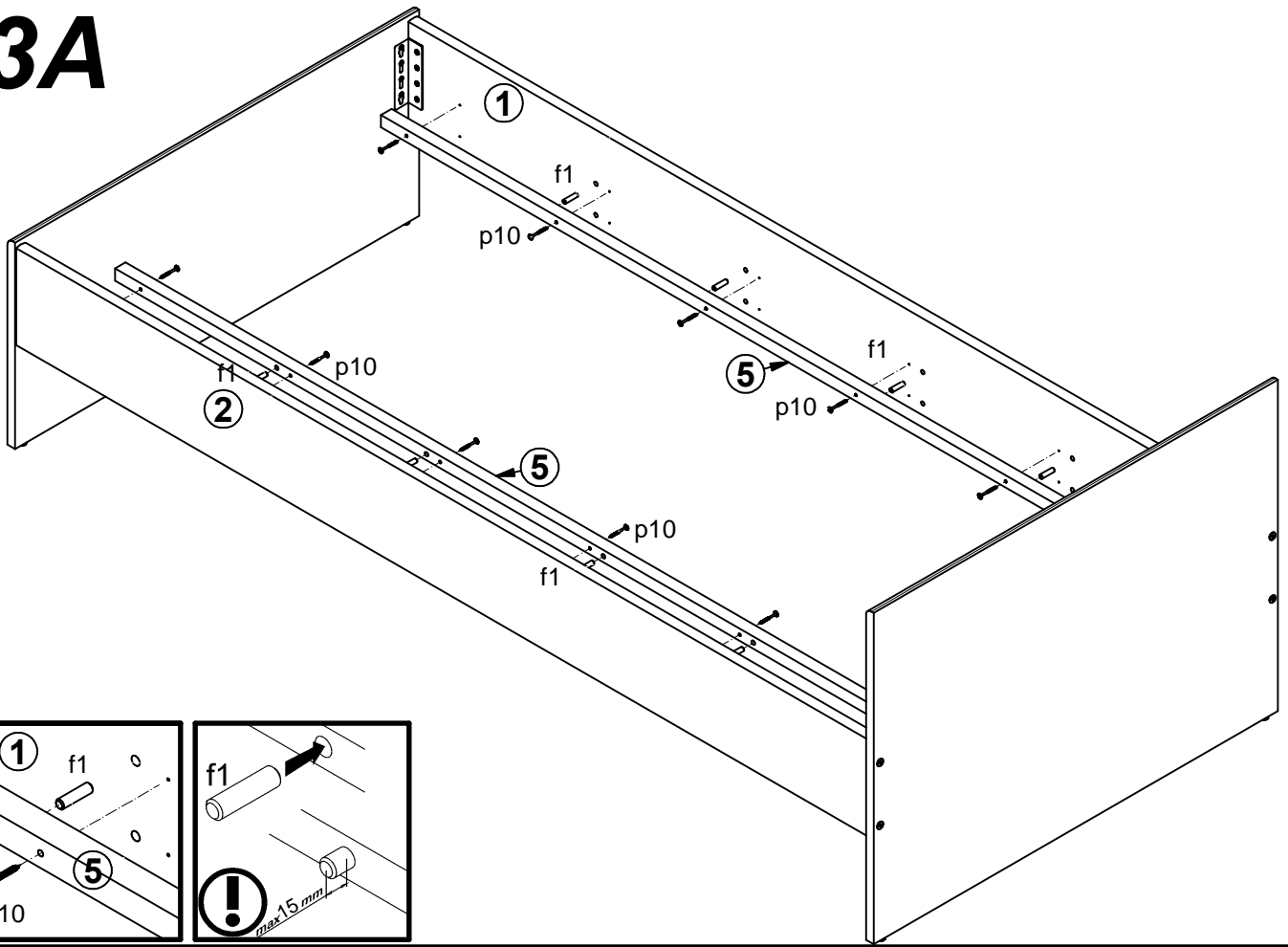
A**ACADEMICA****S324-LOZ/90**

A	B	C	D	
1	S324-120	2000	200	2/2
2	S324-121	2000	200	2/2
3	S324-410	950	420	1/2
4	S324-411	950	675	1/2
5	ZZ1-747	1880	25	2/2

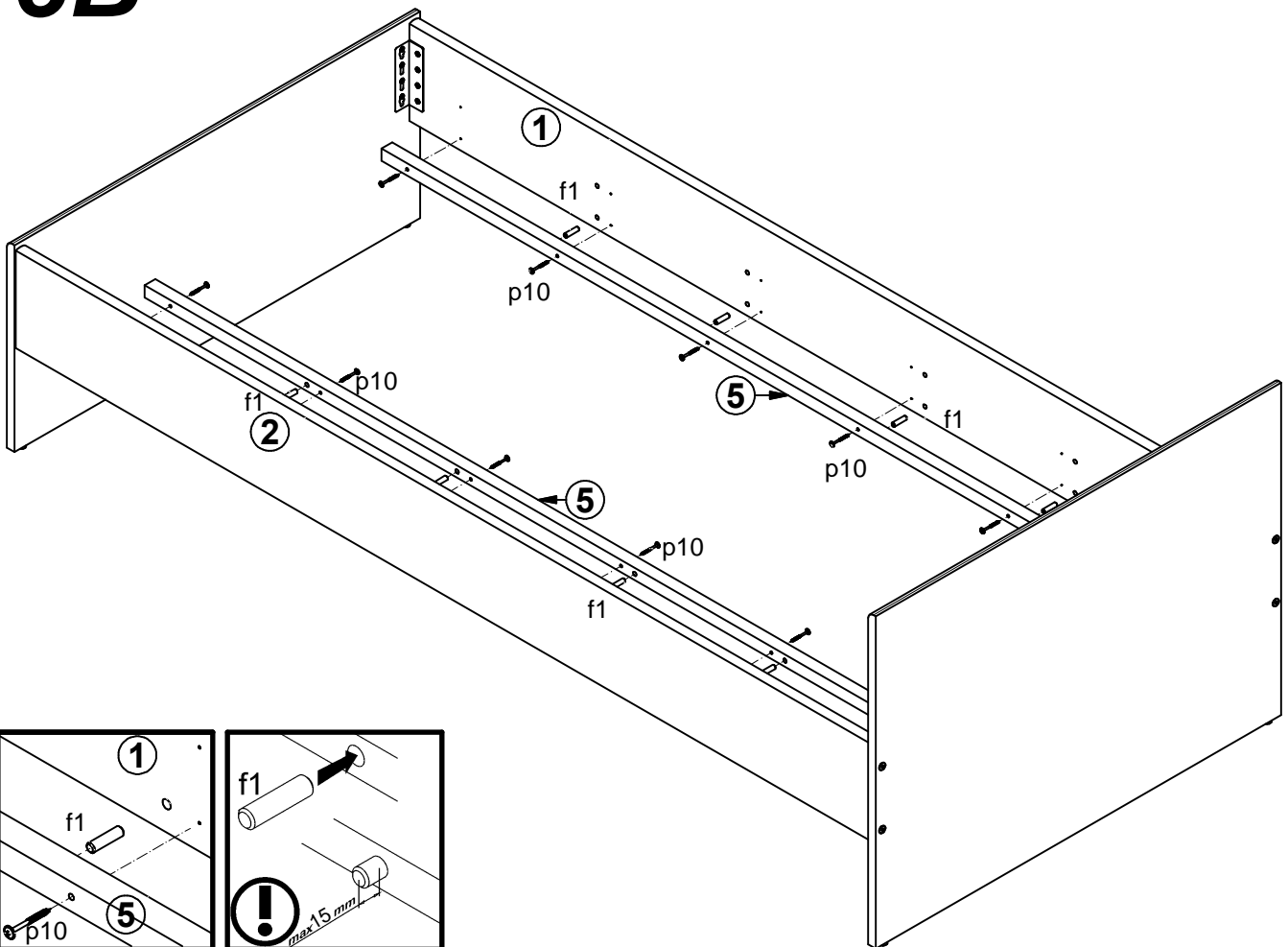
**A****B**



3A



3B



4

