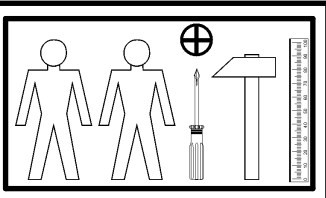
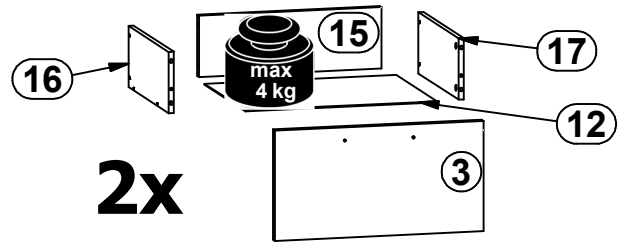
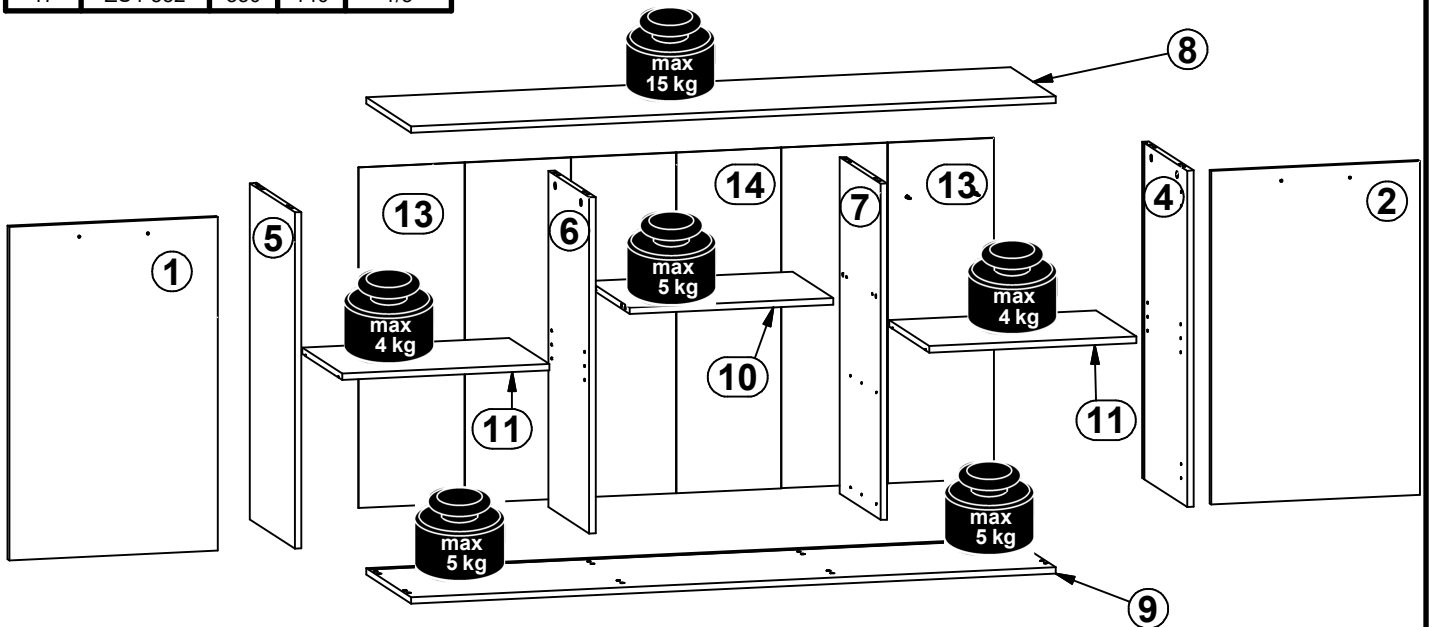
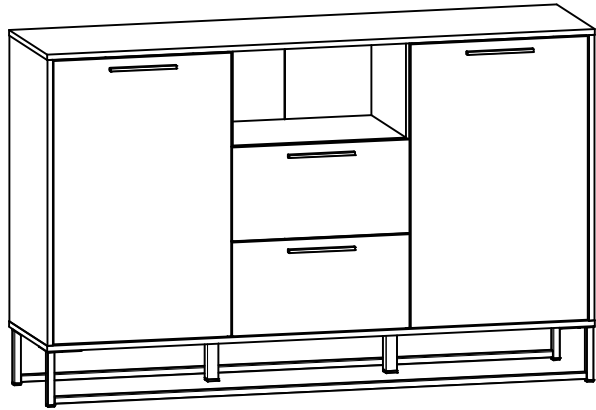


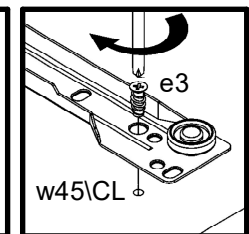
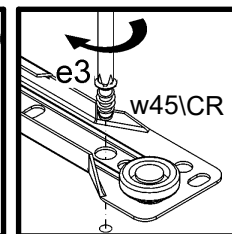
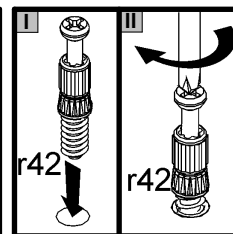
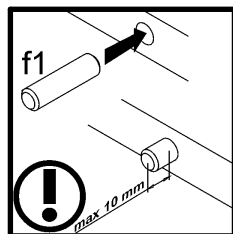
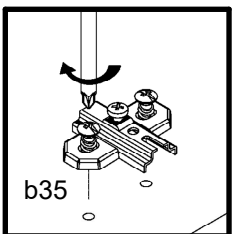
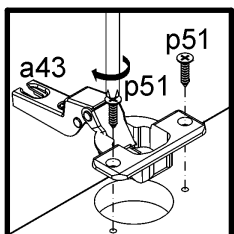
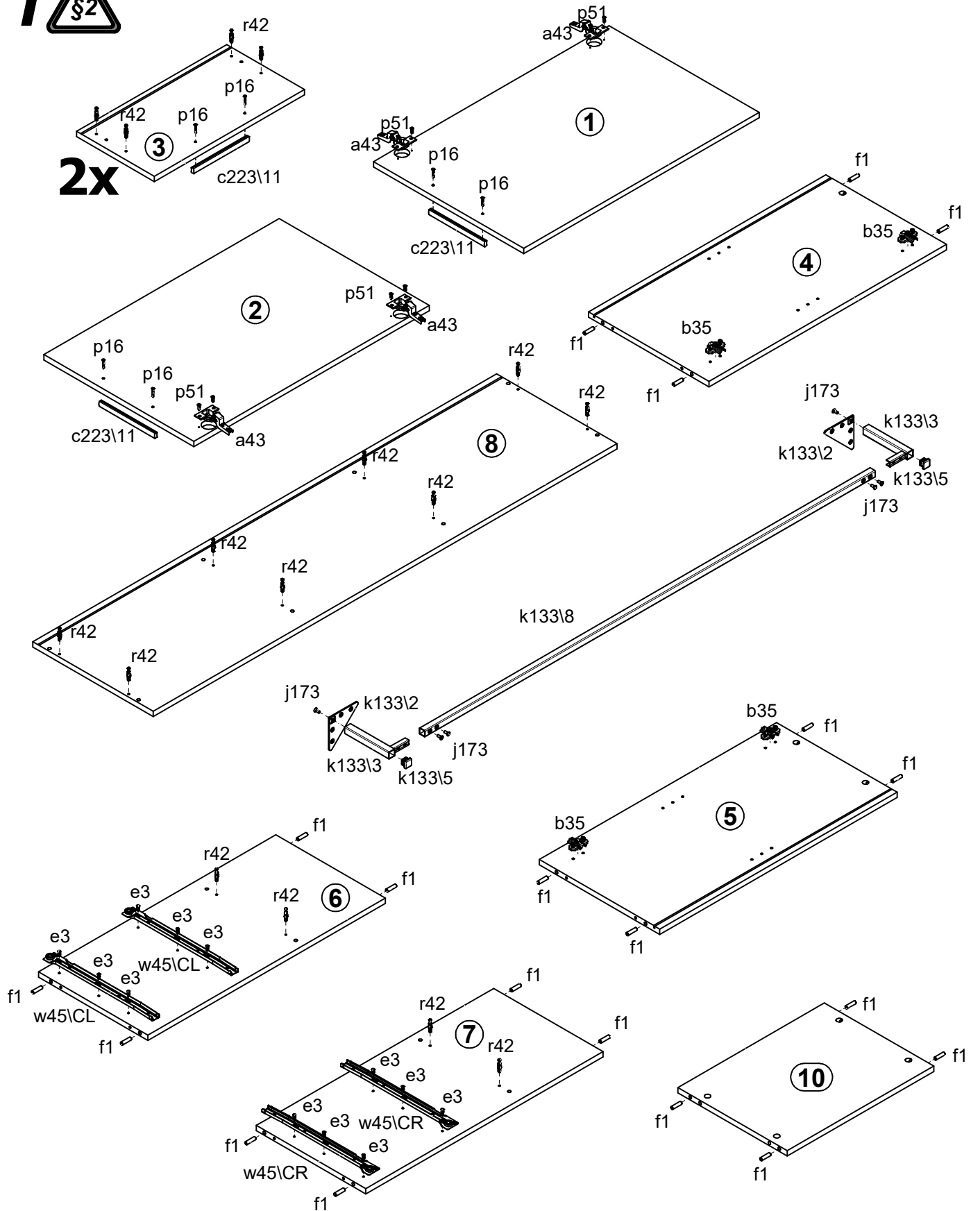
A	B	C	D	
1	L79-0003	762	486	1/3
2	L79-0004	762	486	1/3
3	L79-0005	486	252	1/3
4	L79-1002	768	390	1/3
5	L79-1004	768	390	1/3
6	L79-1005	768	354	1/3
7	L79-1006	768	354	1/3
8	L79-2003	1501	390	2/3
9	L79-2004	1501	390	2/3
10	L79-3002	474	354	2/3
11	L79-3003	482	349	2/3
12	L79-9002	447	355	1/3
13	L79-9302	778	495	1/3
14	L79-9303	778	489	1/3
15	ZS3-5707	425	140	1/3
16	ZS4-531	350	140	1/3
17	ZS4-532	350	140	1/3



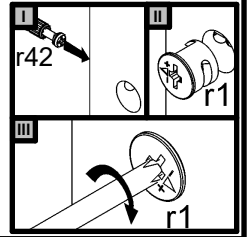
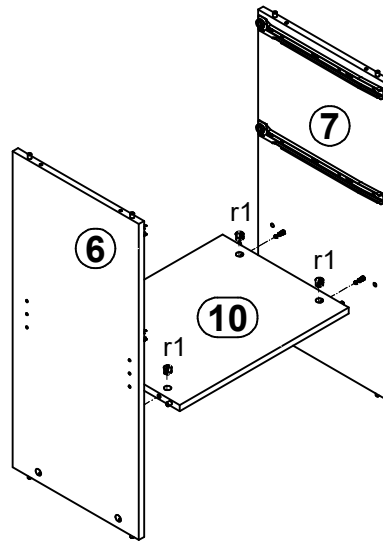
4x K16 a43	4x b35	4x 160 mm c223\11	8x Ø5x17 mm d1	8x Ø7x50 mm e1	8x Ø5x9 mm e19	18x Ø6.3x13 mm e2	12x Ø6x13 mm e3	20x Ø8x30 mm f1
8x Ø6.5x40 mm f25	4x Ø6x30 mm f9	12x M5x12 mm j173	4x k133\2	4x k133\3	4x 20x20 k133\5	2x L-1457mm 18x18 k133\8	2x 42.5x42.5x4 mm k38\3	2x 30x30\131 mm k38\5
18x i2	10x 22x9.5x20.7 mm n108	14x Ø3.5x16 mm p38	8x Ø3.5x15 mm p51	10x Ø2.9x16 mm p55	8x Ø3.5x25 mm p16	12x Ø15x12 mm #16 r1	8x Ø12x10.5 mm #12 r15	20x 20\11 r42
2x 350 mm w45\CL	2x 350 mm w45\CR	2x 350 mm w45\DL	2x 350 mm w45\DR	8x Ø16 s2	1x 4 mm z1	1x 3 mm z22		

1

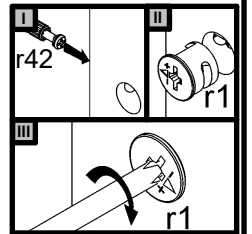
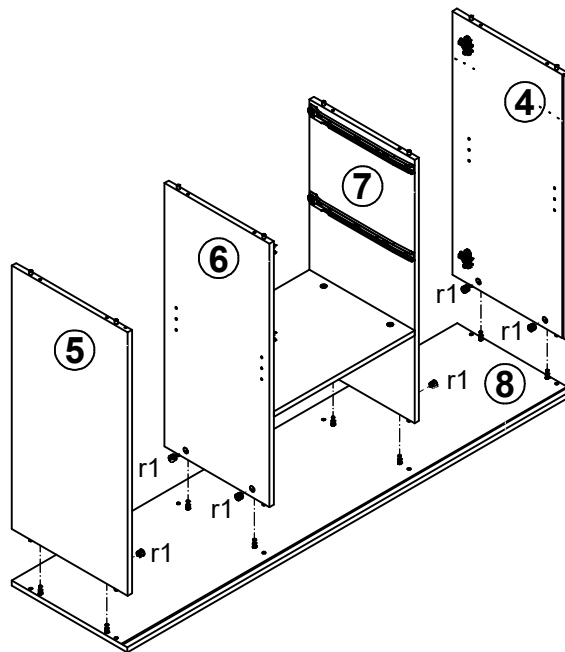
2x



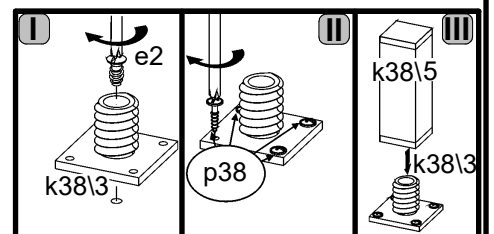
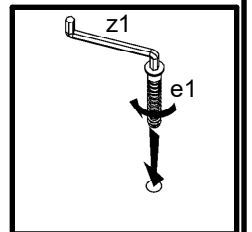
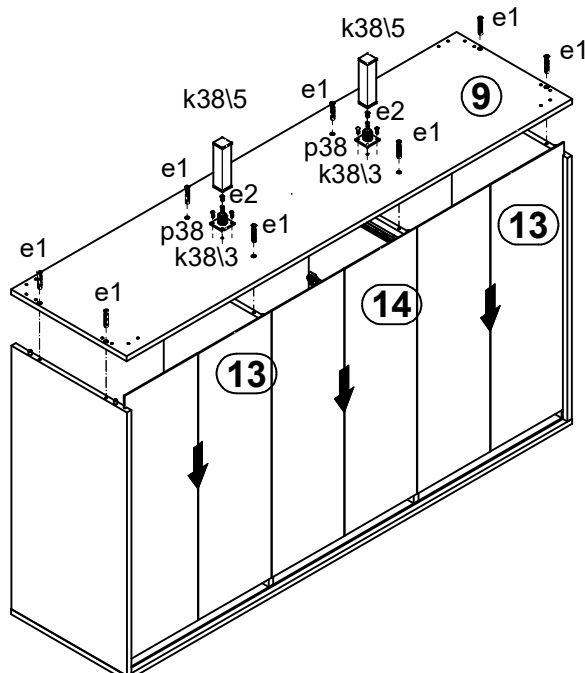
# 2



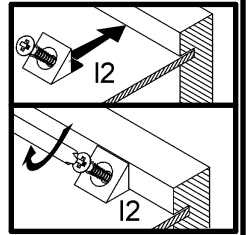
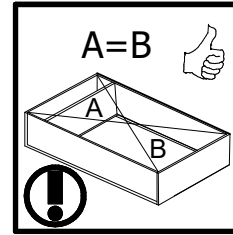
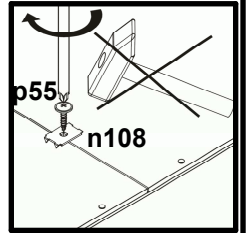
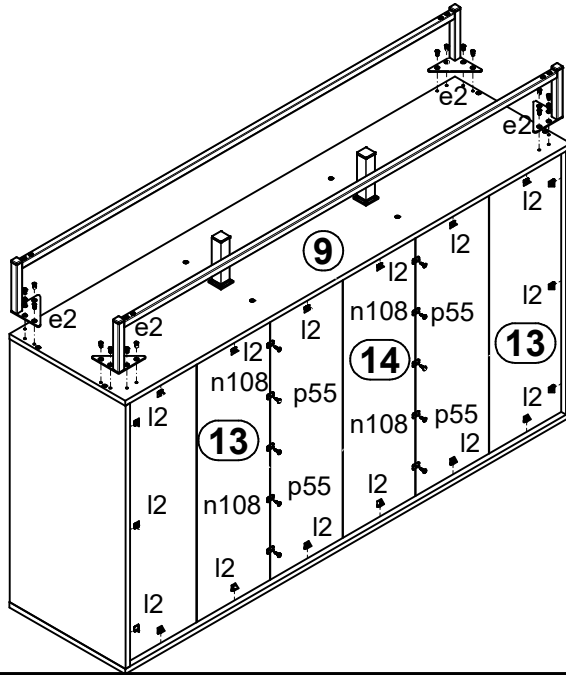
# 3



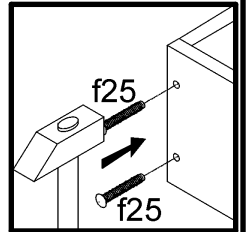
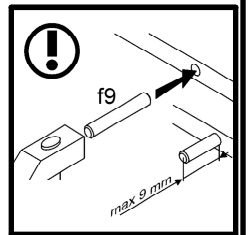
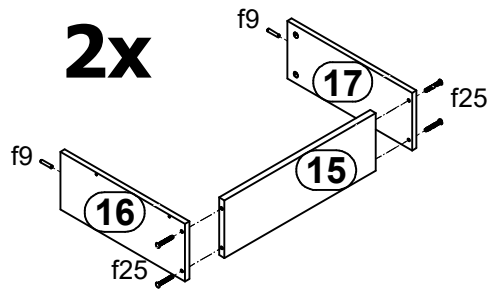
# 4



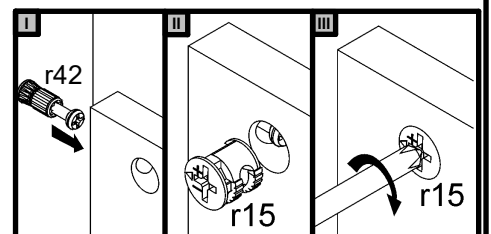
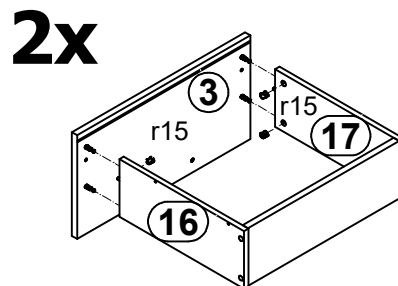
**5** §6



**6** §6

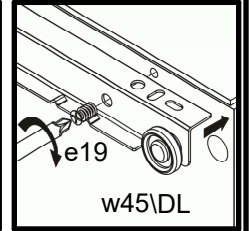
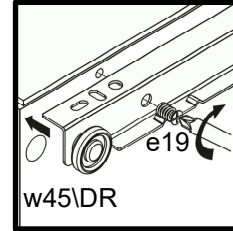
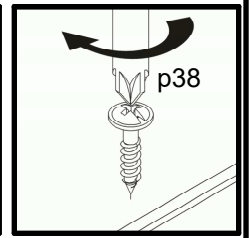
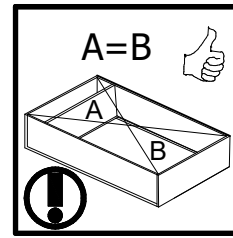
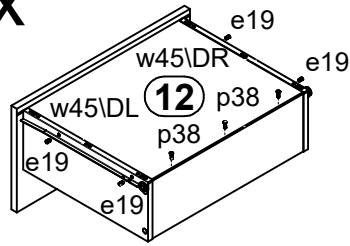


**7** §6



8 

2x



9

