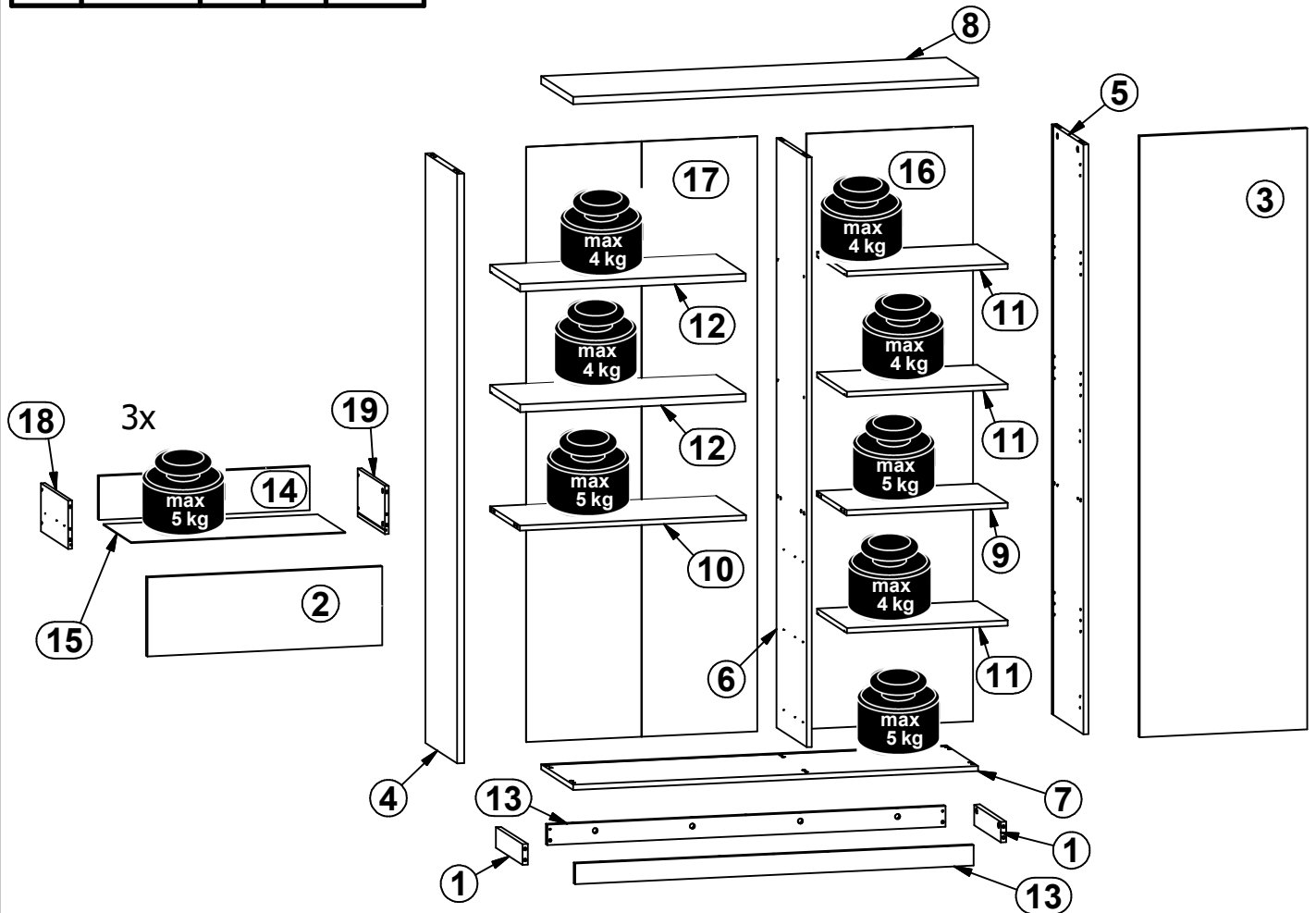
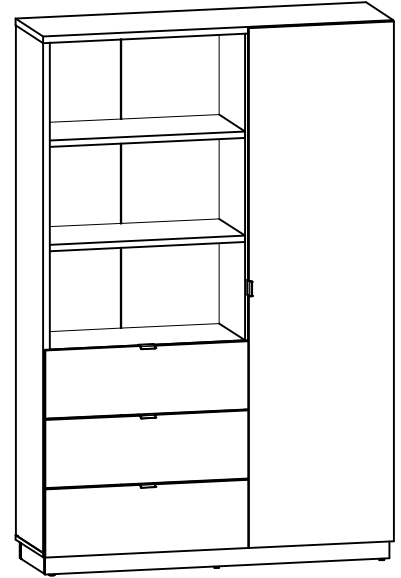
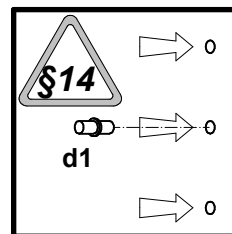
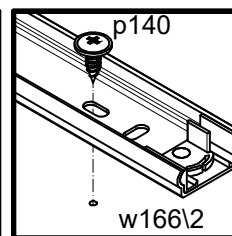
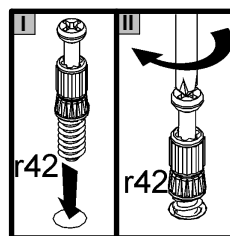
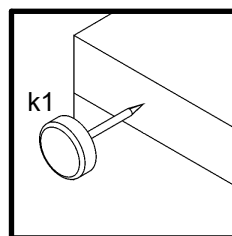
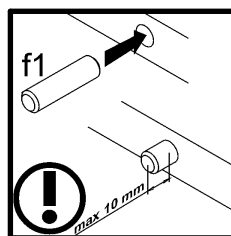
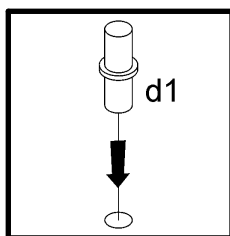
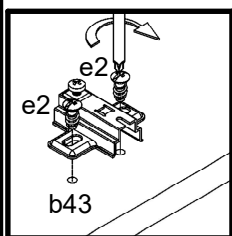
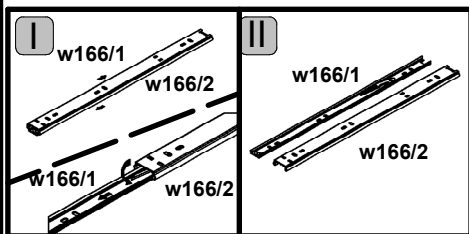
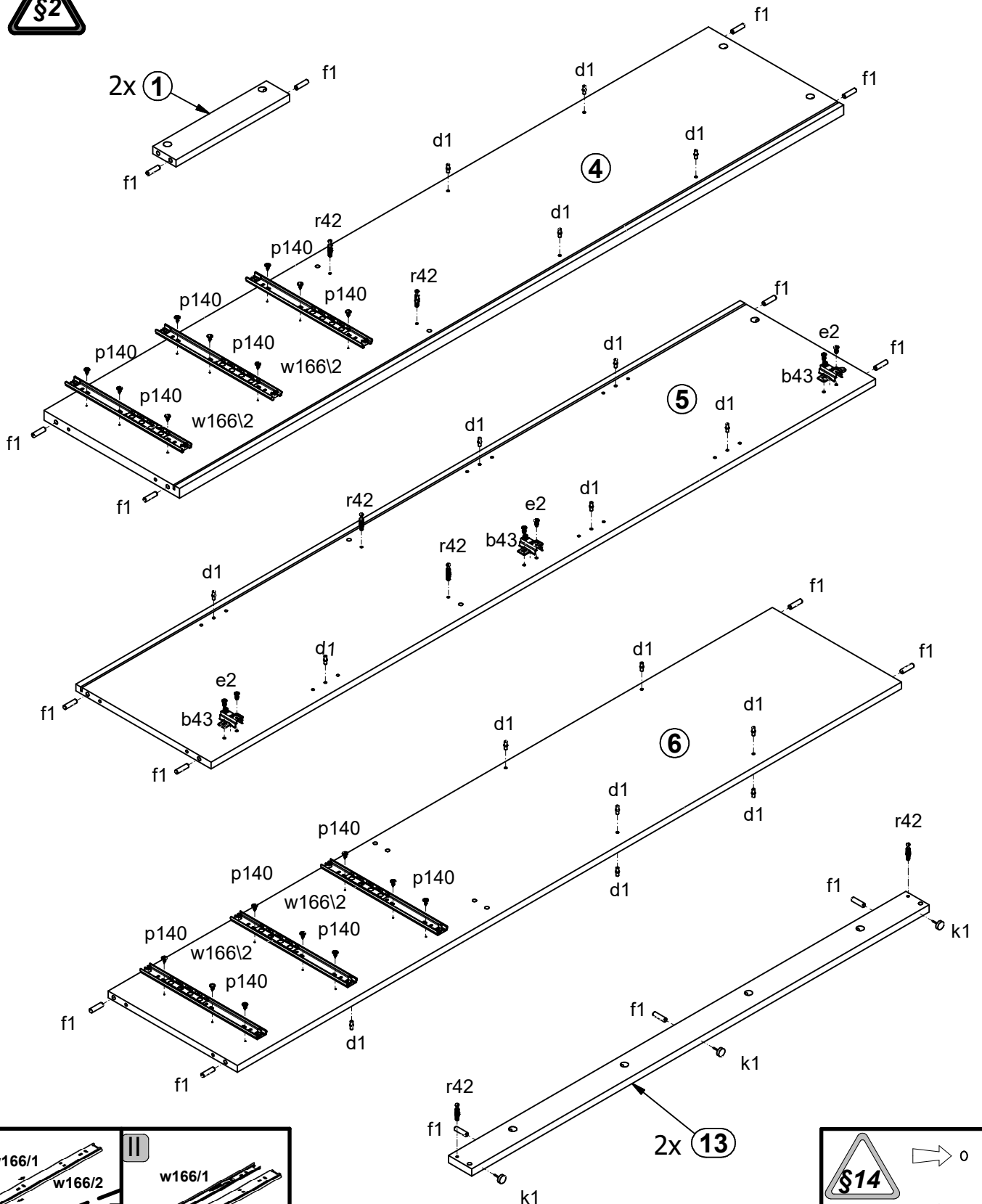


A	B	C	D
1	S406-4007	293	60
2	S416-0001	696	229
3	S416-0003	1746	496
4	S416-1001	1713	349
5	S416-1002	1713	349
6	S416-1003	1713	333
7	S416-2001	1200	350
8	S416-2002	1200	350
9	S416-3001	477	331
10	S416-3002	670	331
11	S416-3003	476	331
12	S416-3004	669	331
13	S416-4001	1180	60
14	S416-5001	624	127
15	S416-9001	635	305
16	S416-9002	1729	493
17	S416-9301	1729	685
18	ZK2-533	400	120
19	ZK2-534	400	120

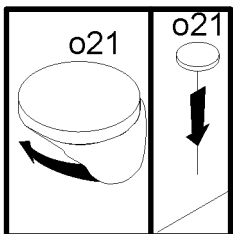
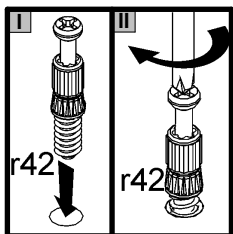
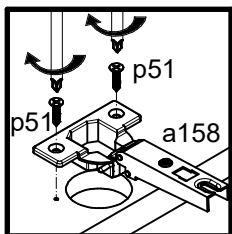
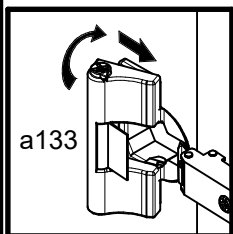
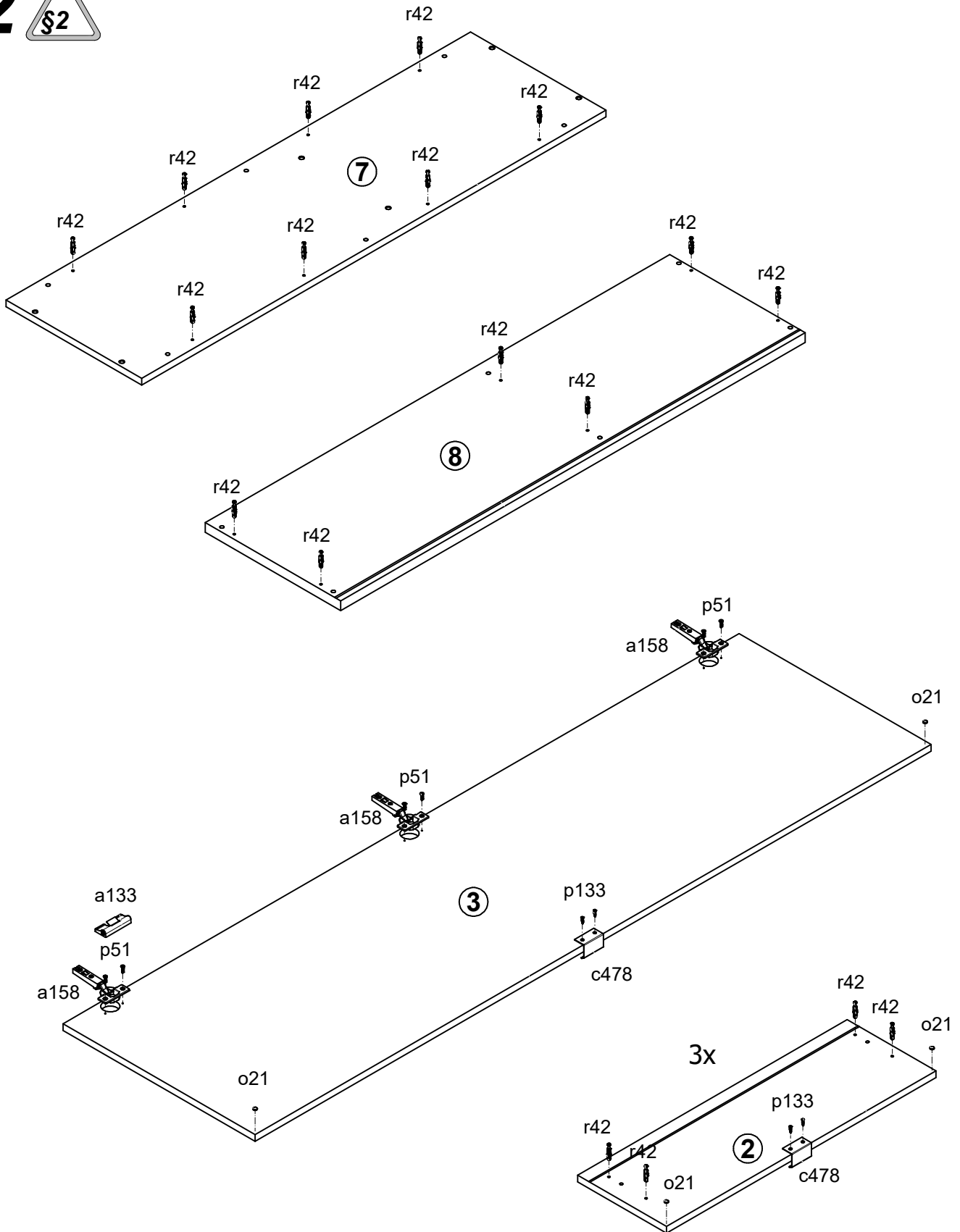


1x a133	3x a158	3x b43	4 c478	20x d1	6x e1	6x e2	26x f1	12x f25
2x f6	6x f9	6x k1	10x l1	14x l2	8x n108	8x p133	36x p140	3x p25
3x p35	13x p38	6x p51	8x p55	26x r1	2x r10	12x r15	34x r42	3x t25
6x w166/1	6x w166/2	6x s68	1x z1	1x n26	8x o21			

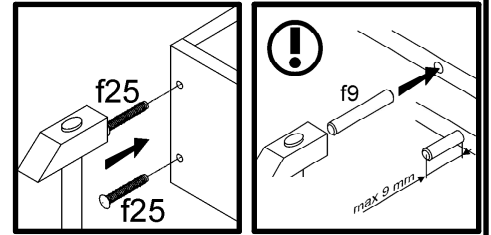
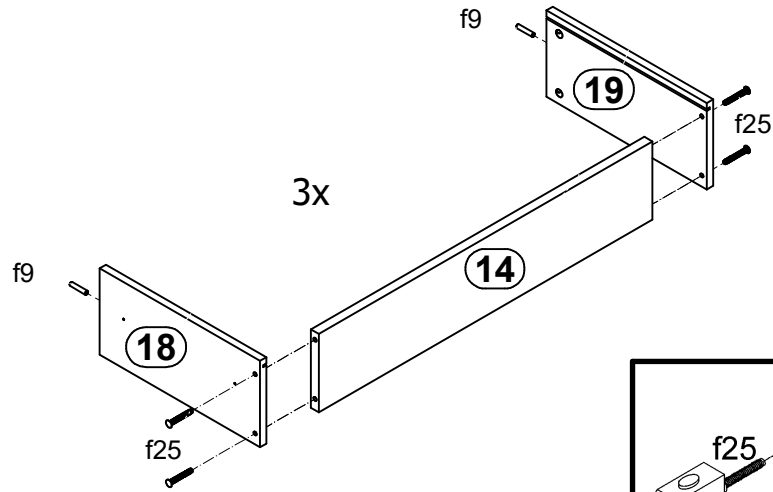
1 



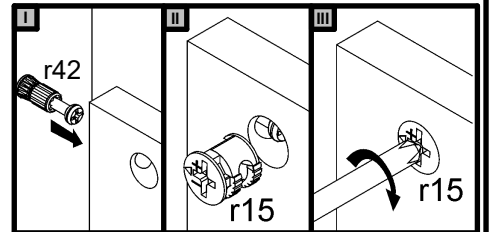
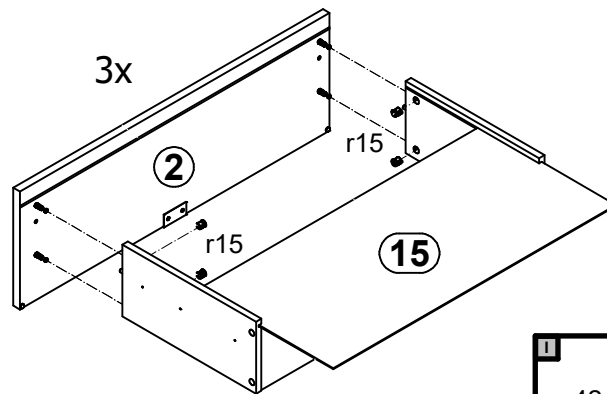
2



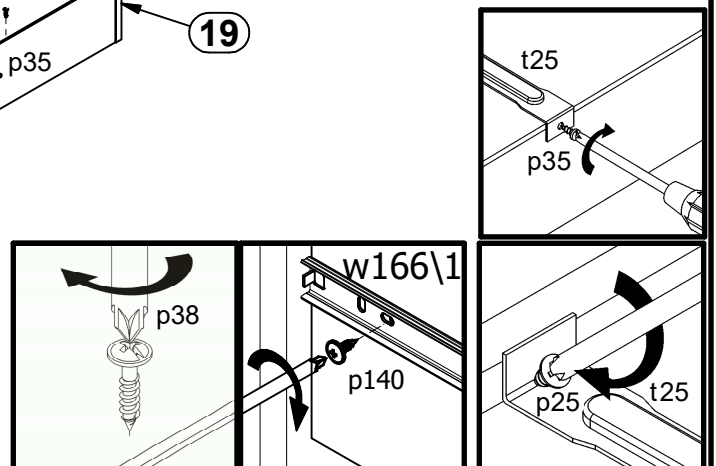
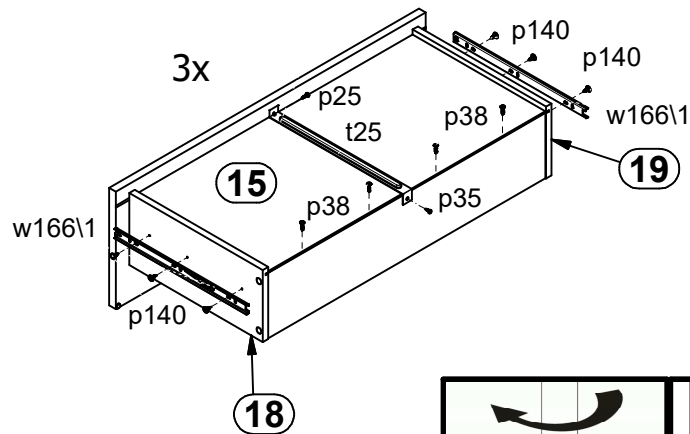
3 §6



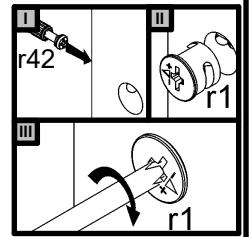
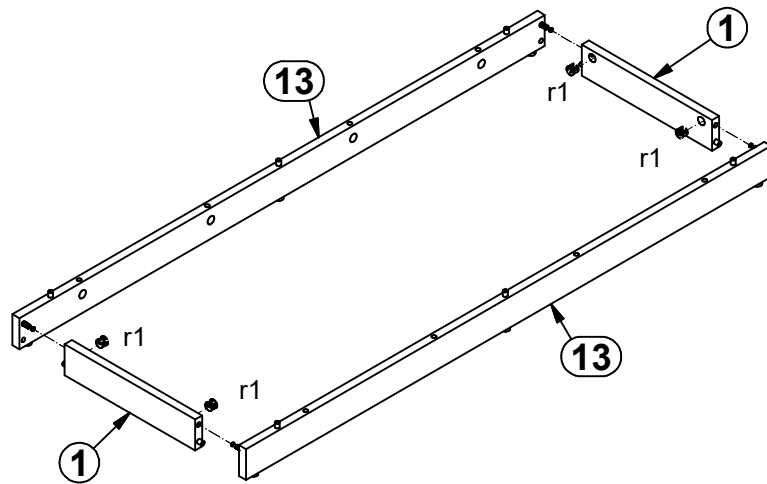
4 §6



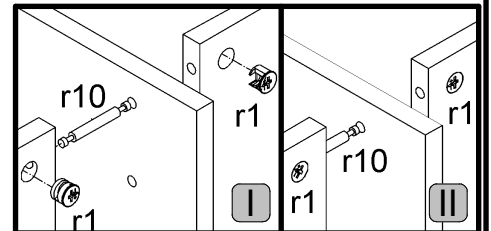
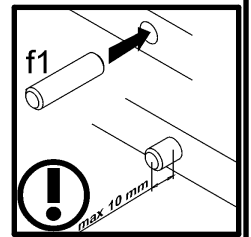
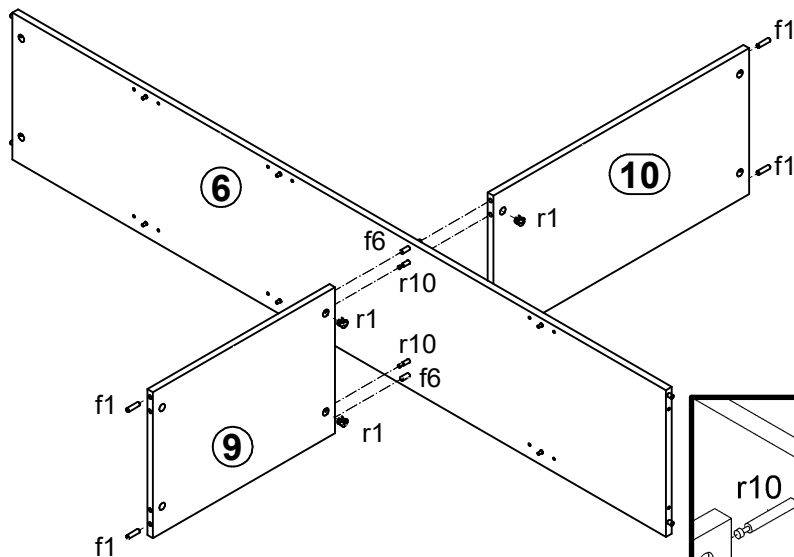
5 §6



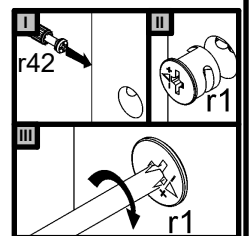
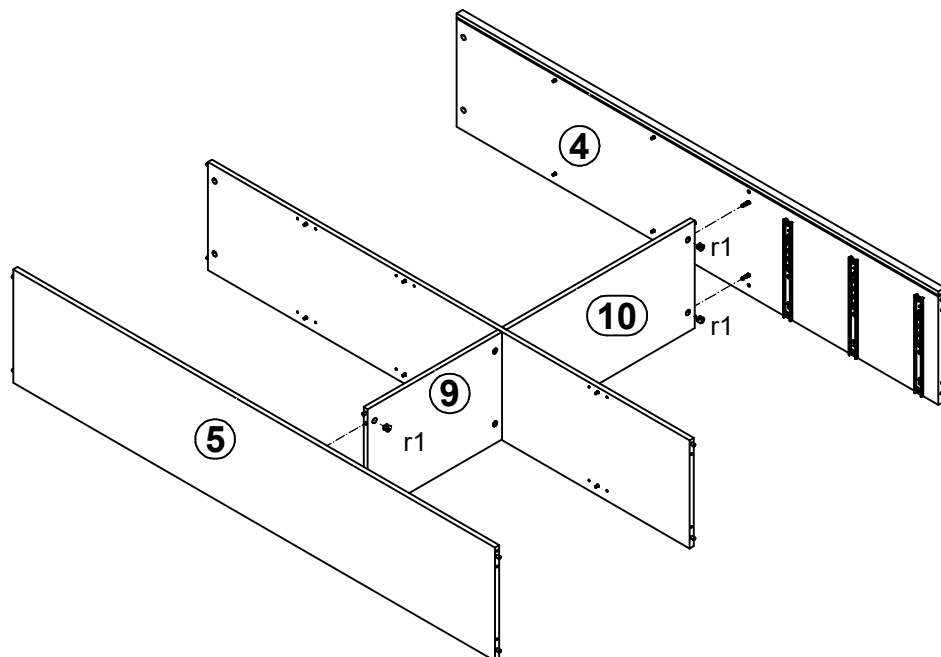
6



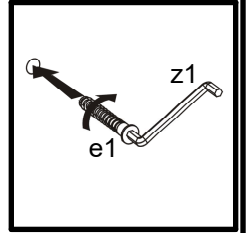
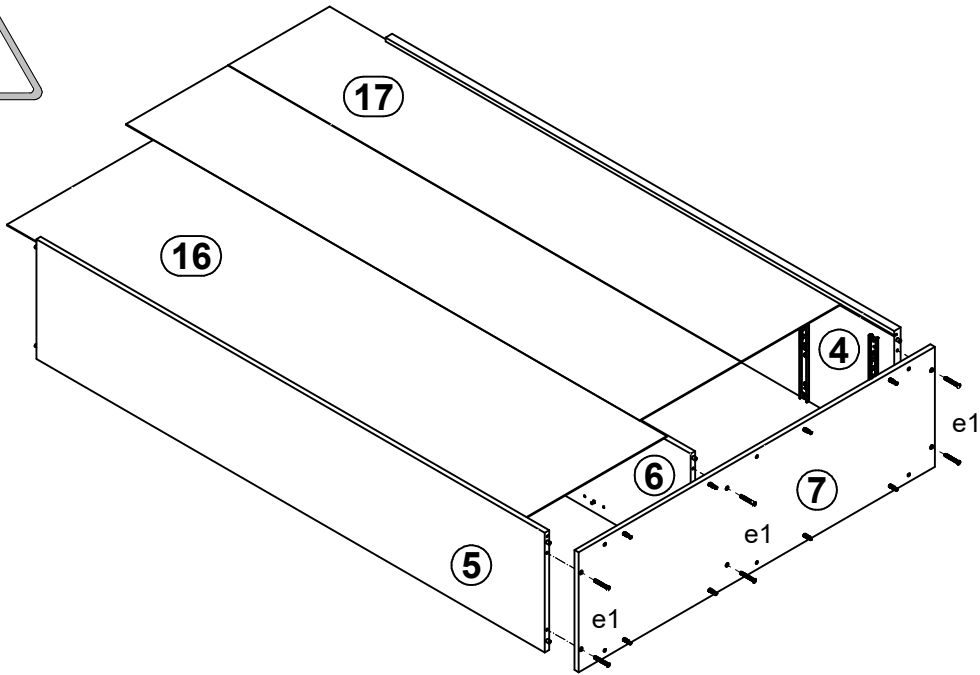
7



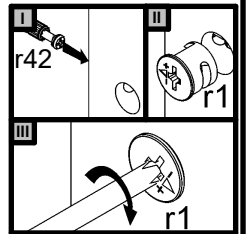
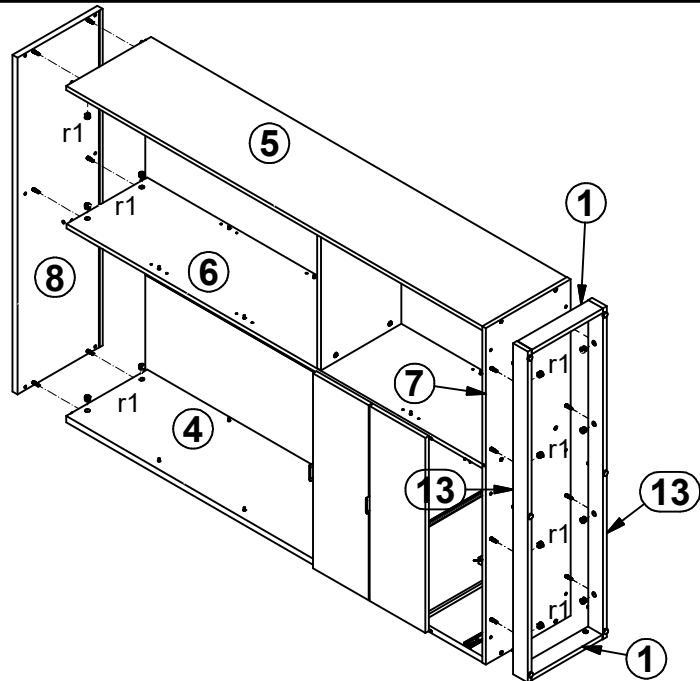
8



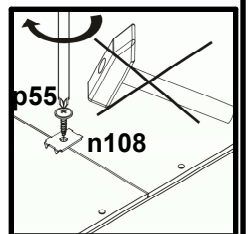
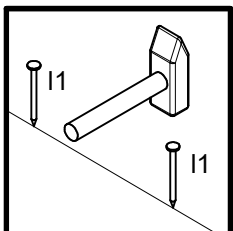
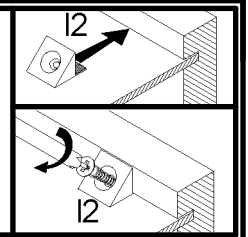
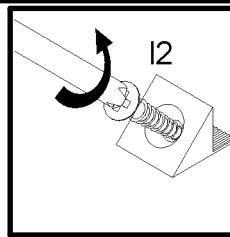
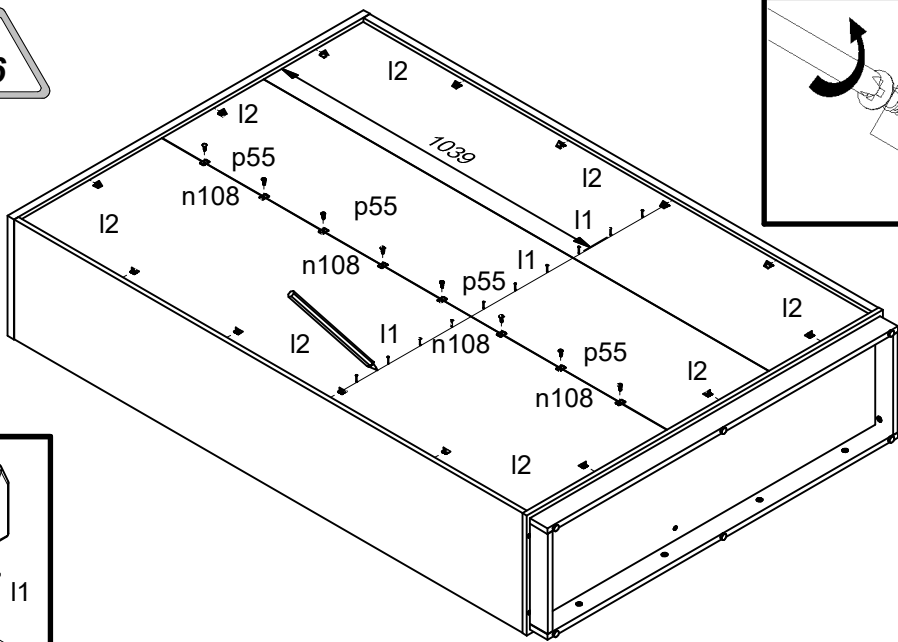
9



10



11



12

