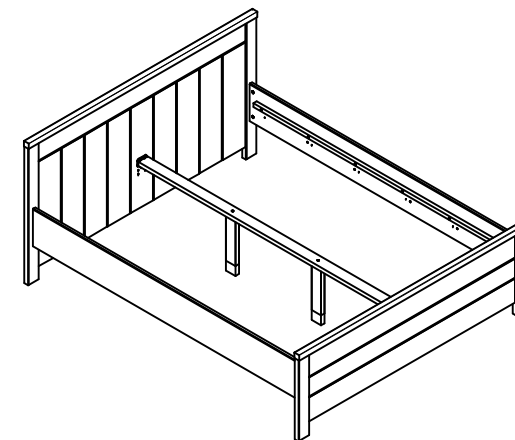
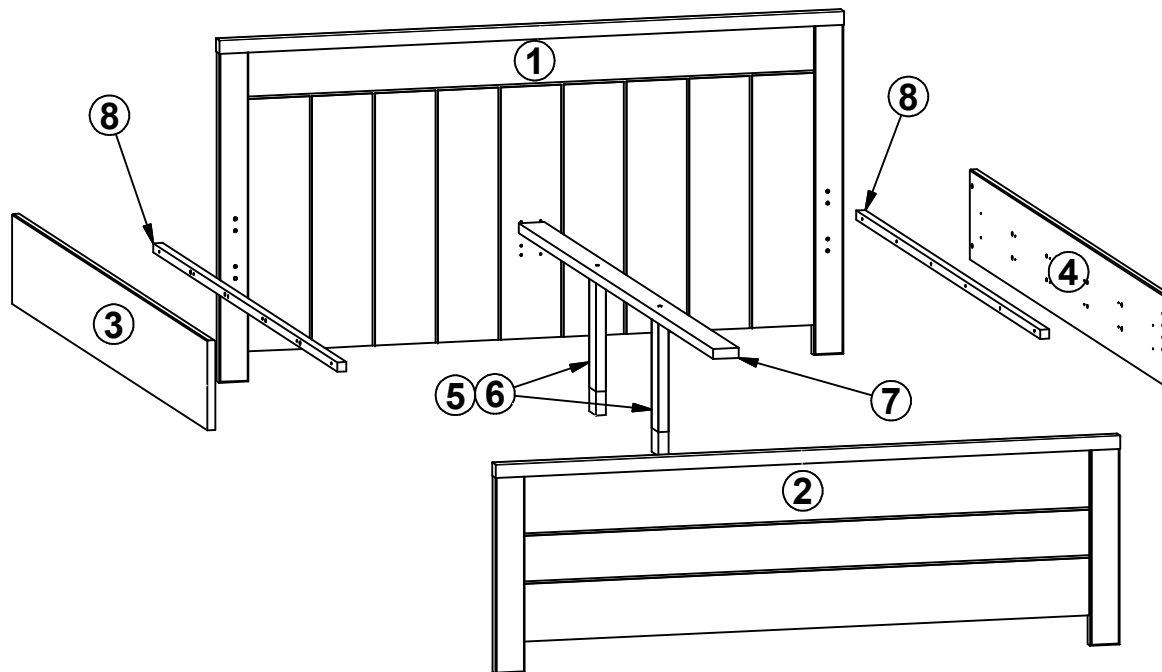










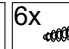
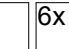




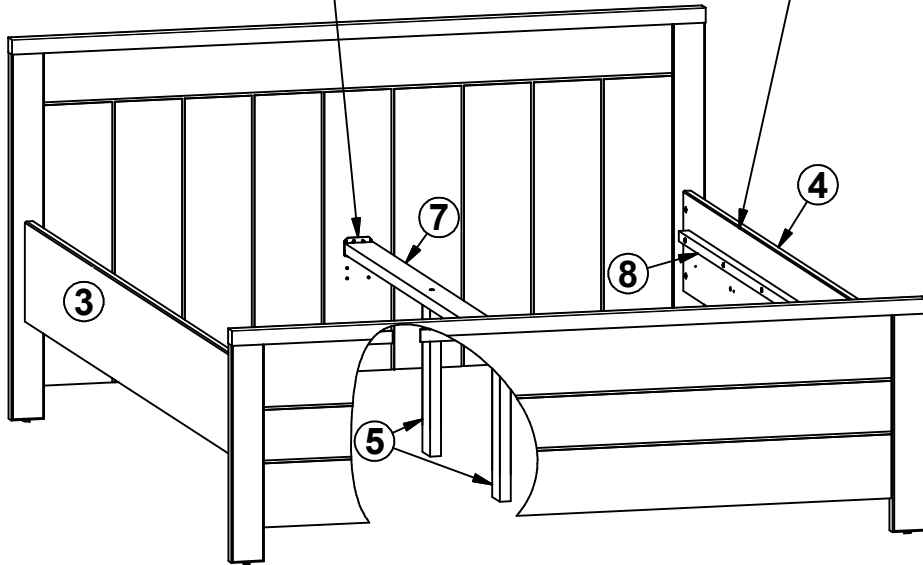
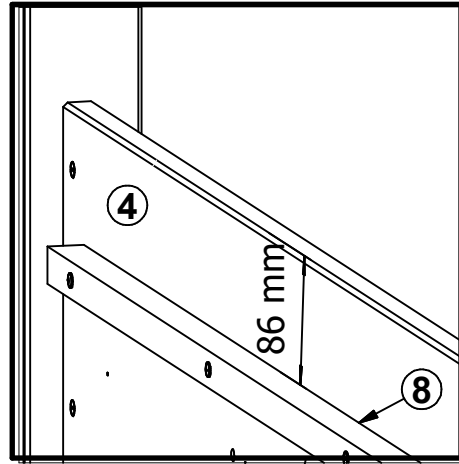
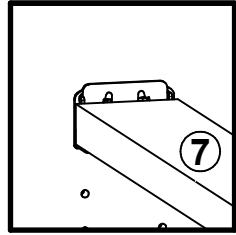
A	B	C (mm)		D
1	S378-0017	921	1710	1/3
2	S378-0018	562	1710	2/3
3	S378-1020	1993	242	3/3
4	S378-1021	1993	242	3/3
5	ZZ1-425	370	70	3/3
6	ZZ1-426	306	70	3/3
7	ZZ1-719	1983	70	3/3
8	ZZ1-747	1880	25	3/3



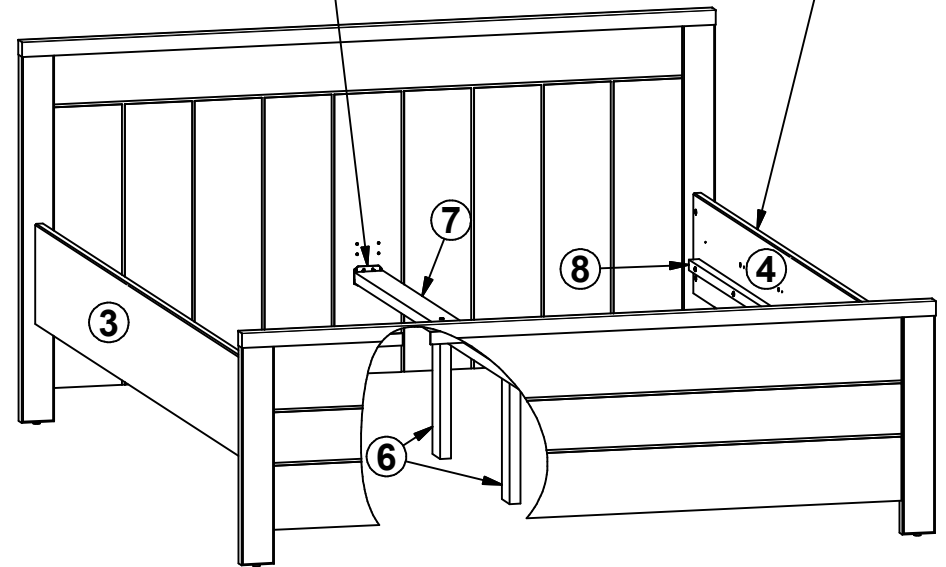
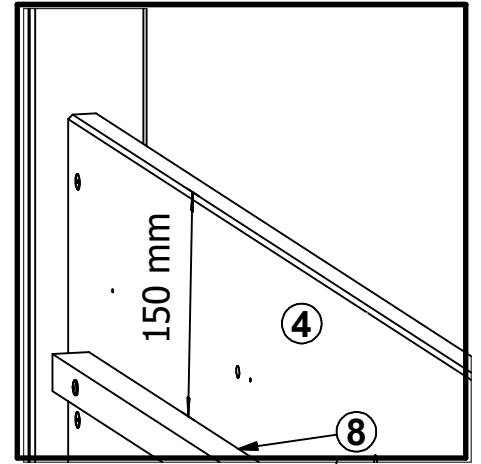
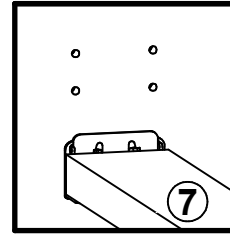
- 16x  **e2**
Ø6,3x13 mm
- 8x  **e3**
Ø6x13 mm
- 2x  **e8**
Ø7x60 mm
- 12x  **f1**
Ø8x30 mm
- 4x  **j132**
M6x65 mm
- 4x  **k1**
- 2x  **n341**
- 2x  **n342**
- 2x  **n63**
130x34x34/2 mm
- 12x  **p10**
Ø4x40 mm
- 6x  **p16**
Ø3,5x25 mm
- 6x  **p6**
Ø4x35 mm
- 4x  **r43**
Ø10x16 mm

- 1x  **z1**
4 mm

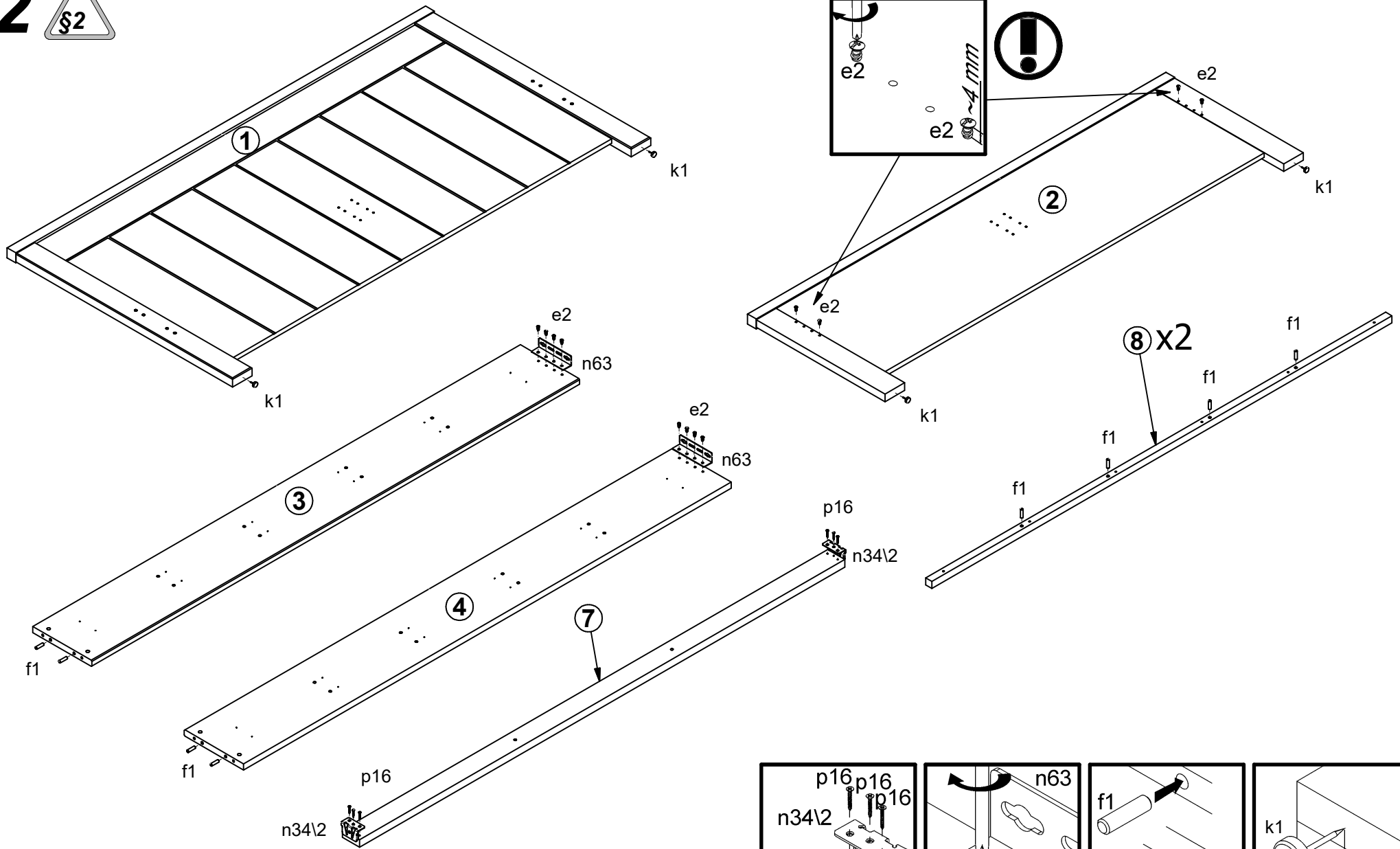
1  **A**



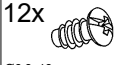




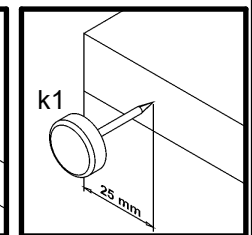
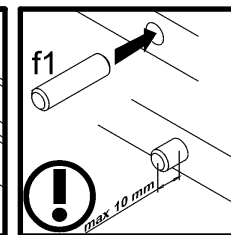
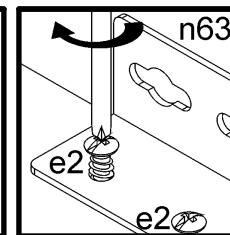
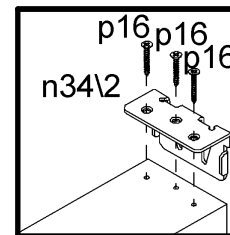
 **B**



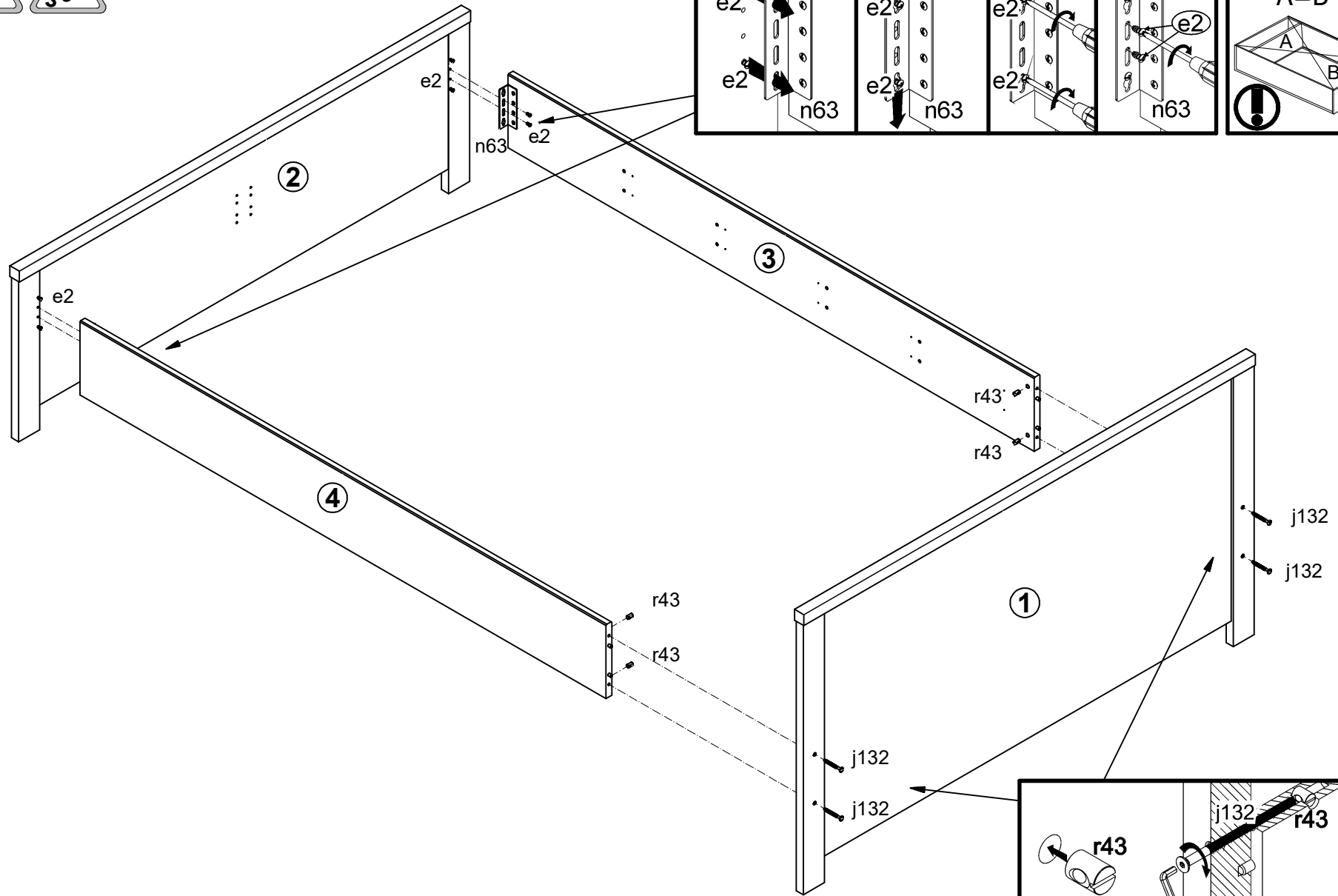
2 



- 4x  **k1**
- 12x  **f1** Ø6x30 mm
- 12x  **e2** Ø6,3x13 mm
- 2x  **n34/2**
- 2x  **n63** 130x34x34/2 mm

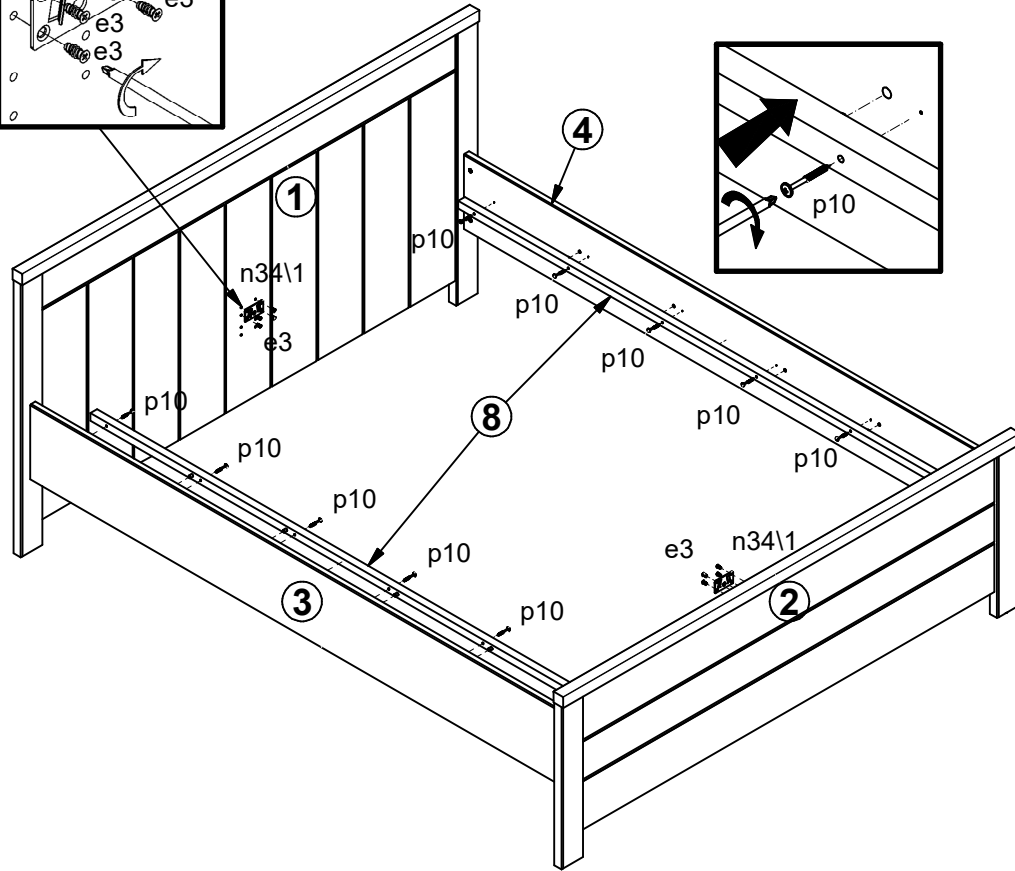
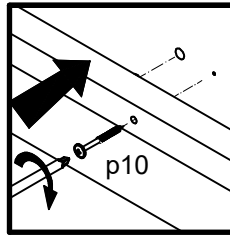
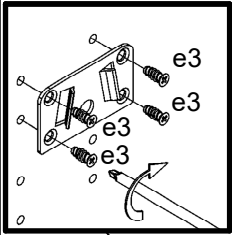


3 §2 §6

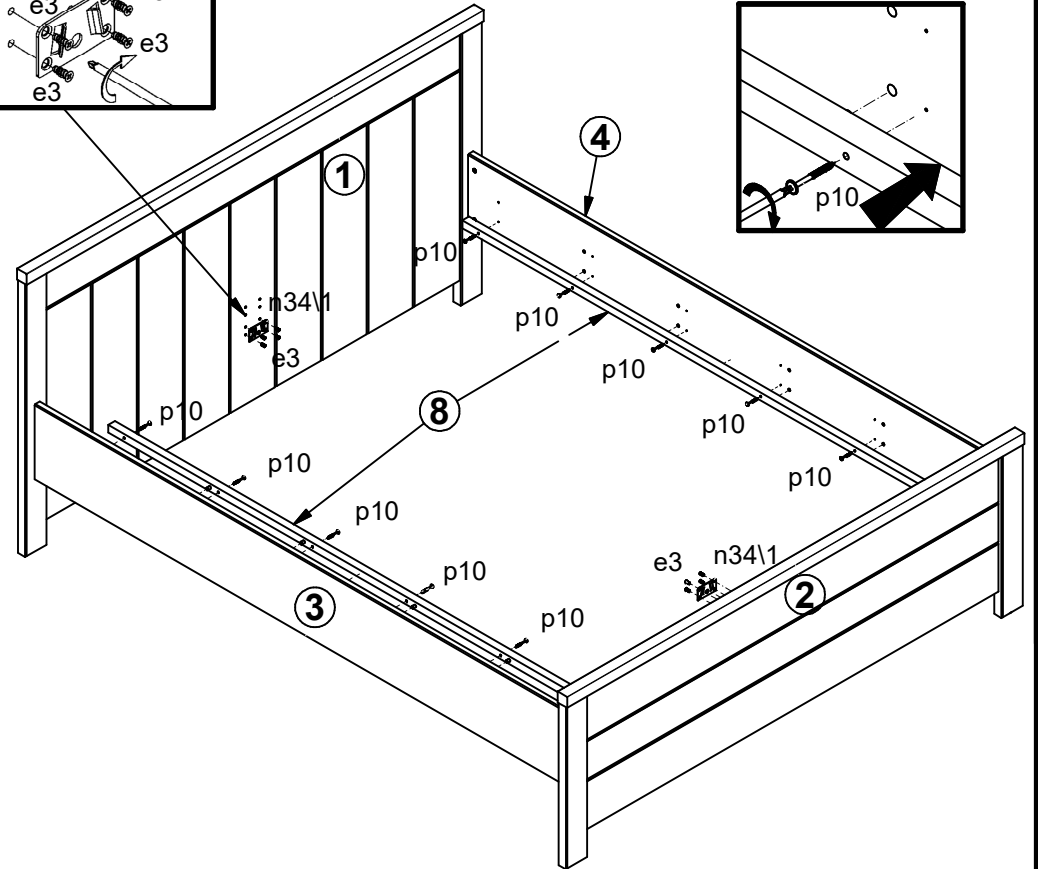
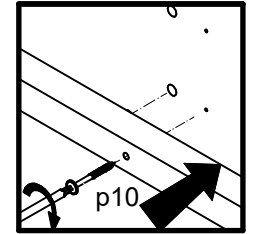
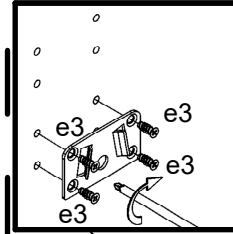





- 4x e2 Ø6,3x13 mm
- 4x j132 M6x65 mm
- 4x r43 Ø10x16 mm

4  A

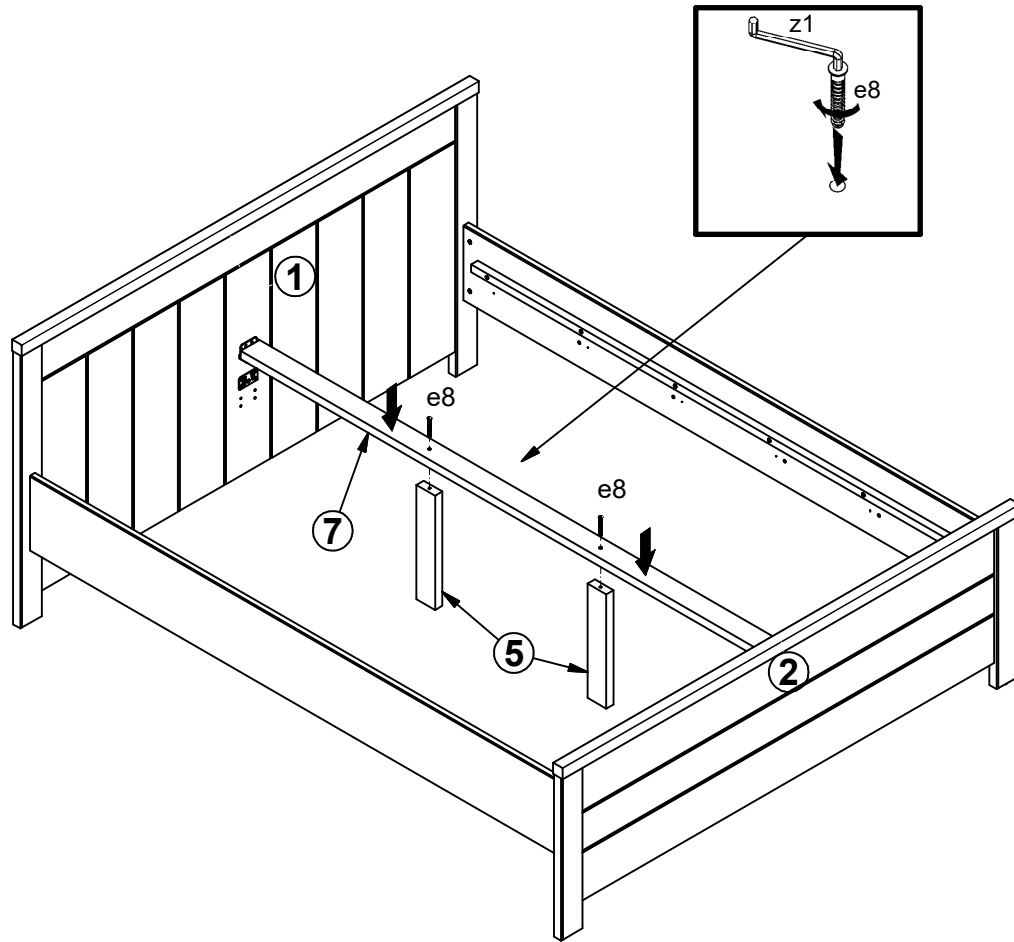


 B

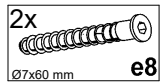
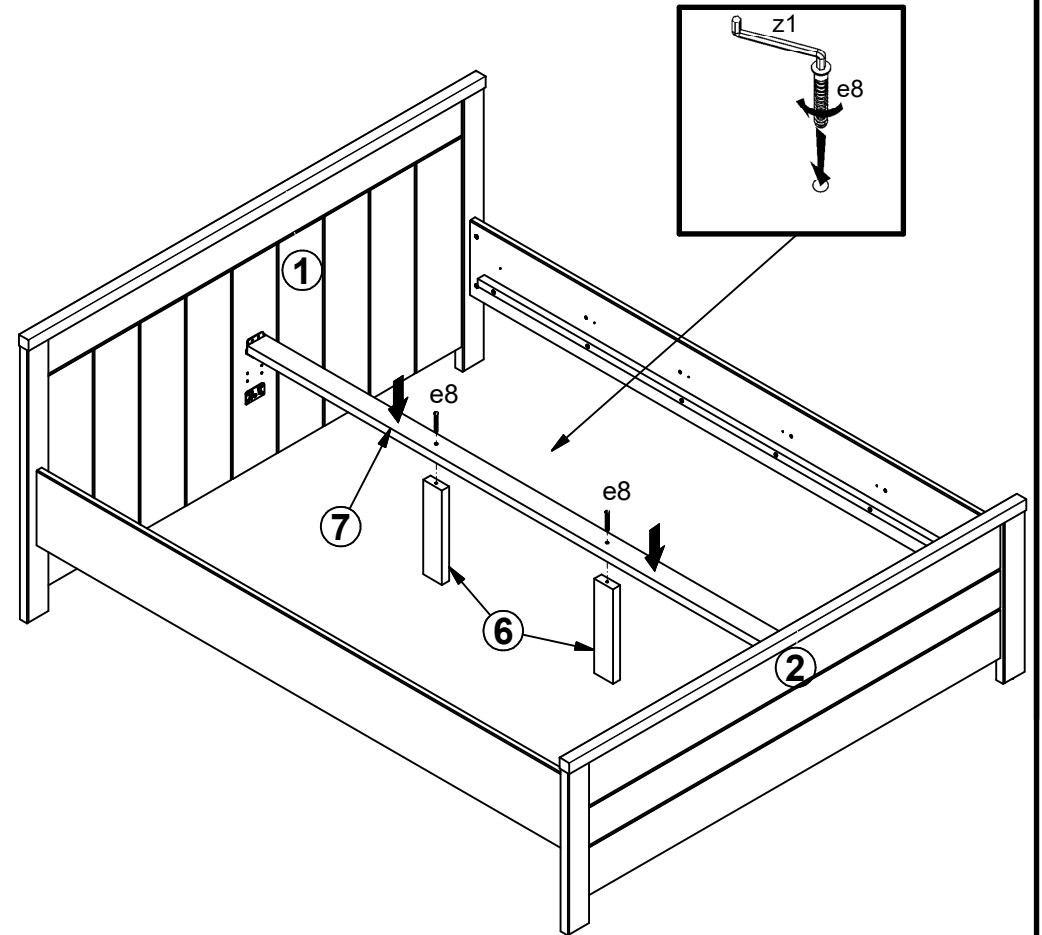


- 8x  e3
- 2x  n34\1
- 12x  p10

5 A



B



6 §14

