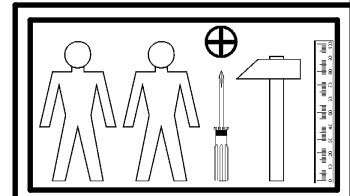
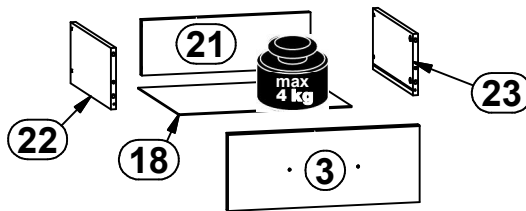
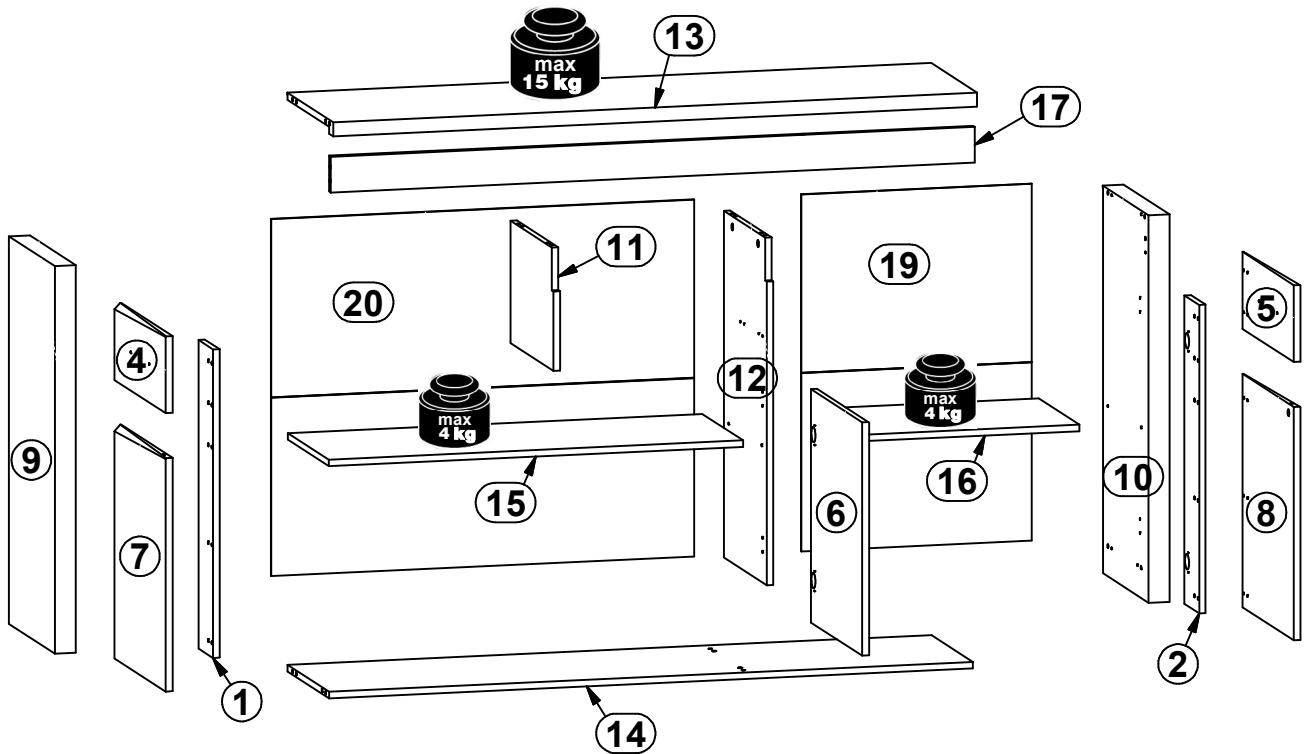
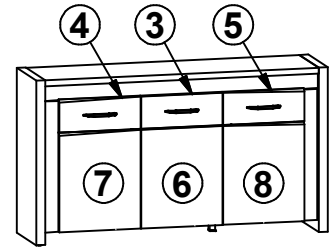
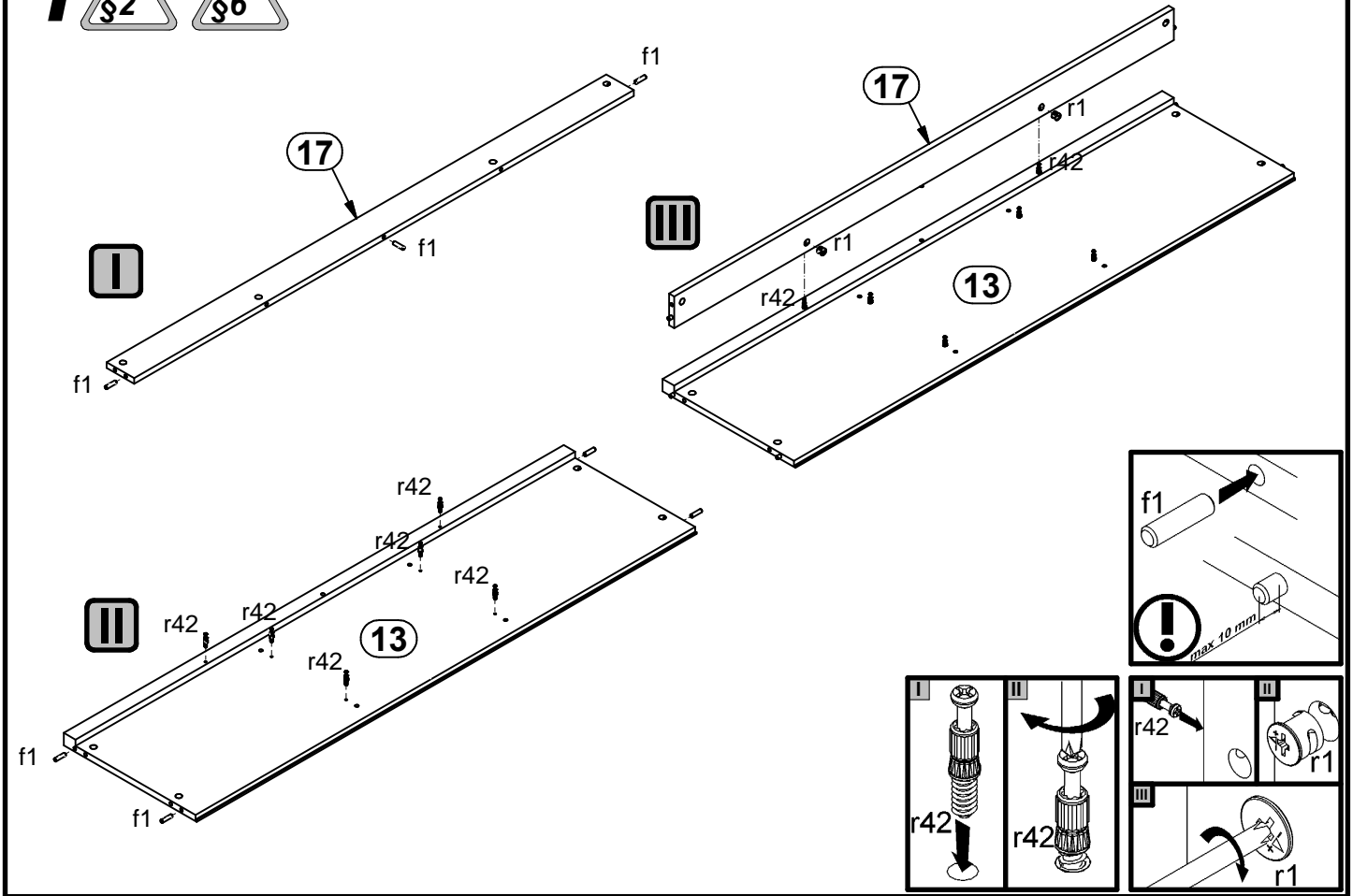


A	B	C	D	A	B	C	D		
1	S346-0005	706	128	3/3	13	S346-3004	1500	399	2/3
2	S346-0006	706	128	3/3	14	S346-3005	1500	360	2/3
3	S346-0007	446	176	3/3	15	S346-3006	965	355	1/3
4	S346-0008	446	176	3/3	16	S346-3007	518	355	1/3
5	S346-0009	446	176	3/3	17	S346-4001	1500	82	2/3
6	S346-0010	446	534	3/3	18	S346-9001	402	355	2/3
7	S346-0011	446	534	3/3	19	S346-9302	817	537	2/3
8	S346-0012	446	534	3/3	20	S346-9303	817	985	2/3
9	S346-1003	887	400	1/3	22	ZQ3-501	350	140	2/3
10	S346-1004	887	400	1/3	23	ZQ3-502	350	140	2/3
11	S346-1005	280	375	1/3	21	ZQ2-545	392	127	2/3
12	S346-1006	793	375	1/3					

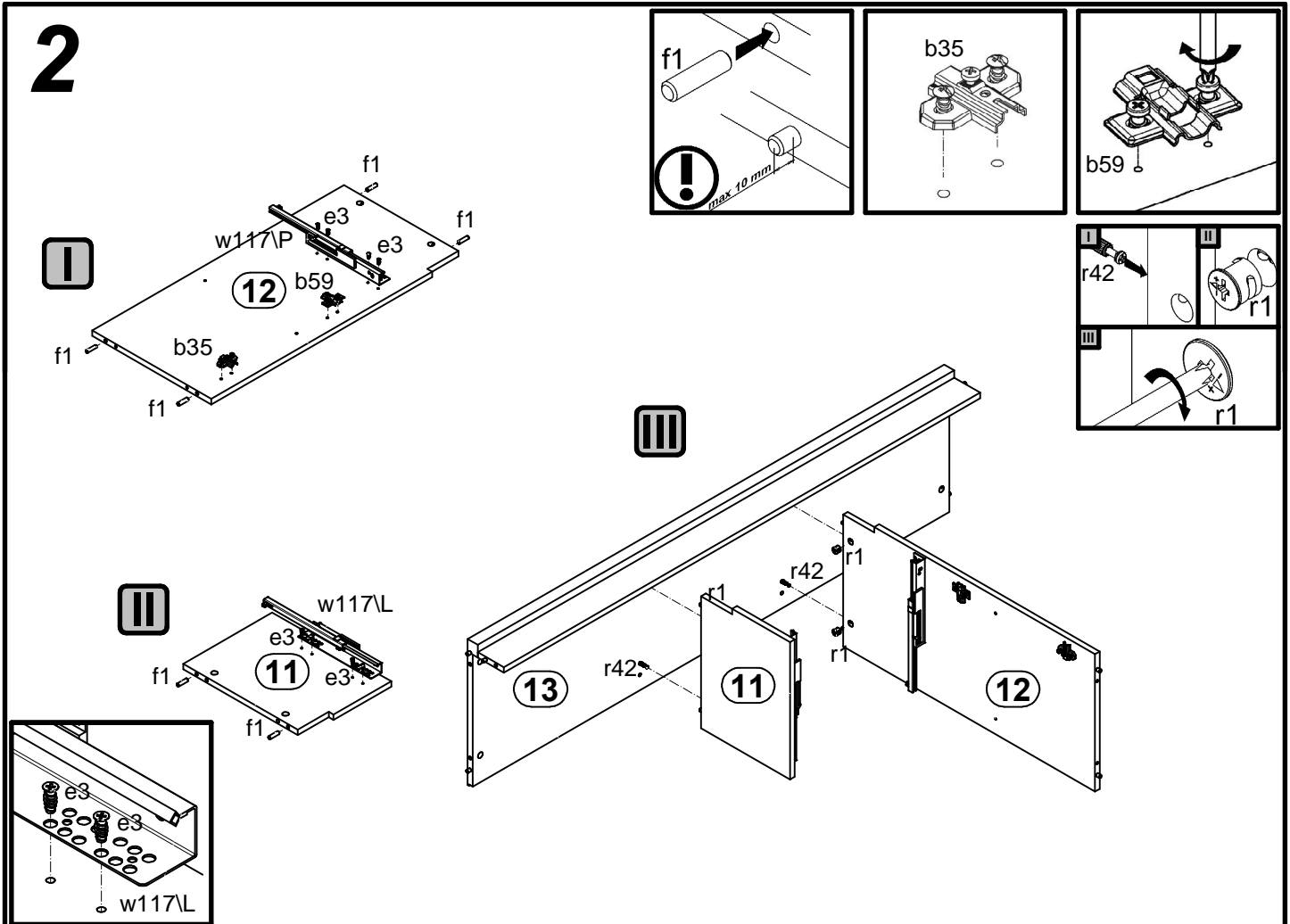


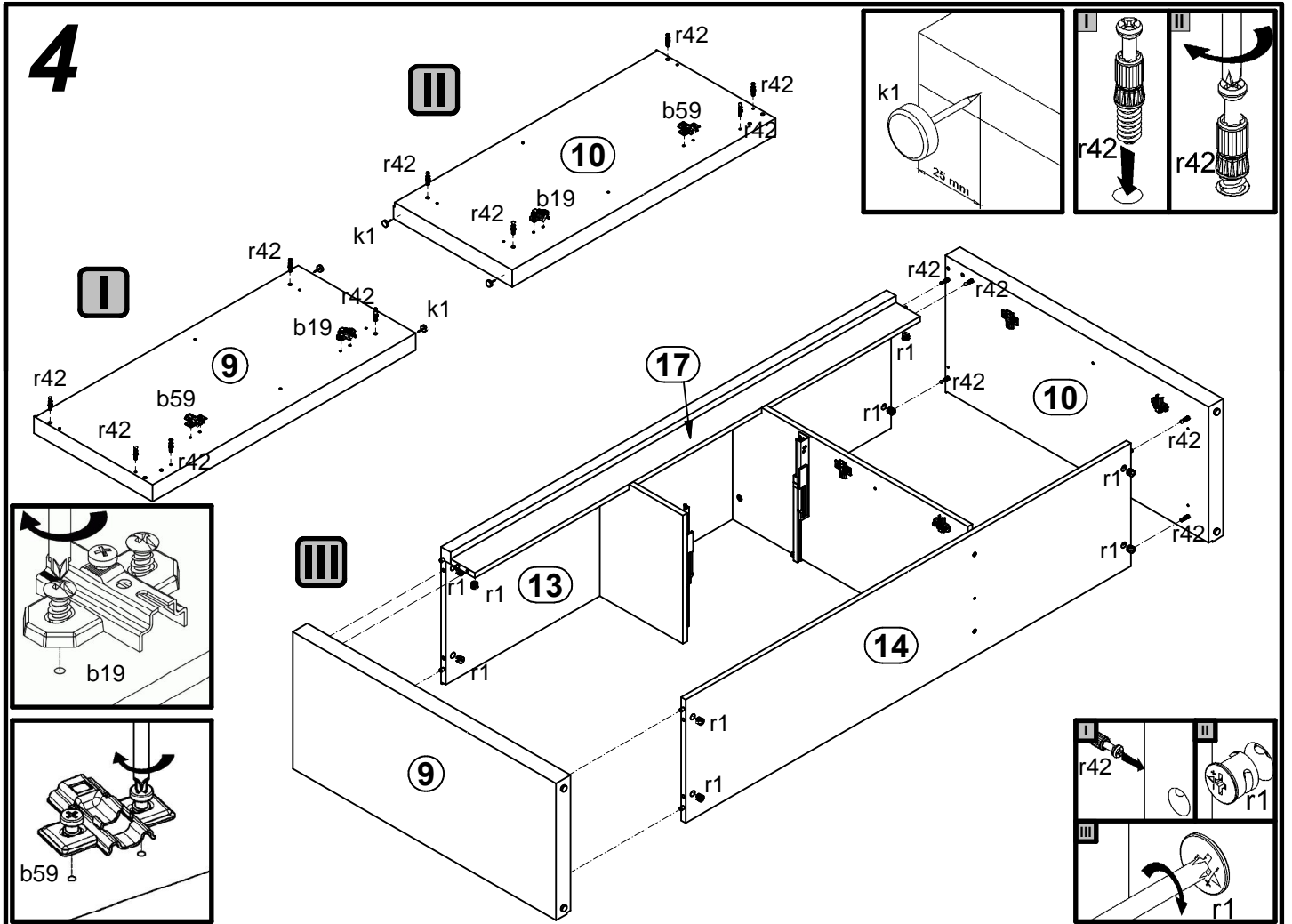
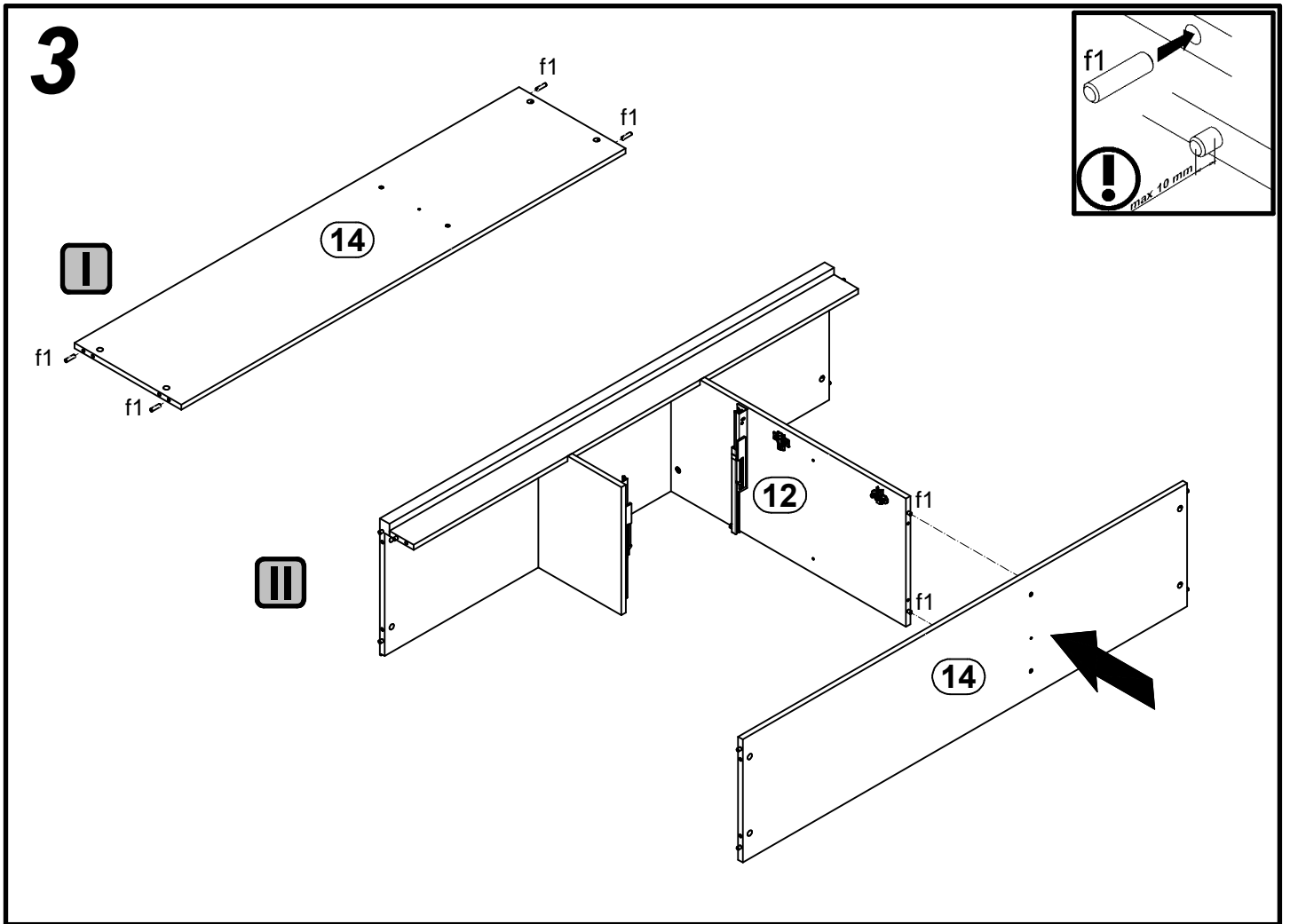
2x K16: 435 a101	1x K9: 435 a103	2x K16 a43	1x K9,5 a68	2x b19	1x b35	3x b59	3x 160 mm c433/1	8x d1
2x e1	1x e2	8x e3	20x e52	17x f1	2x f9	4x f25	6x M4x22 mm j30	4x k1
1x 42,5x42,514 mm k38/3	1x 39x30x60 mm k38/8	70x l1	2x o103	8x p38	12x p51	18x r1	4x r15	22x 20x11 r42
1x 350 mm W117/L s68	1x 350 mm W117/P z1	2x s68	1x 4 mm z1				1x n26/1	1x p38

1  

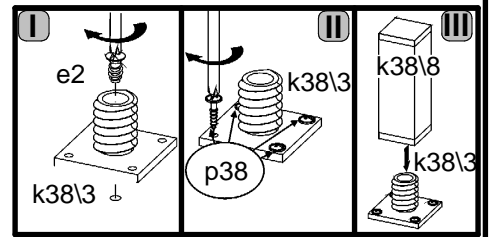
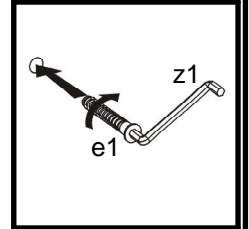
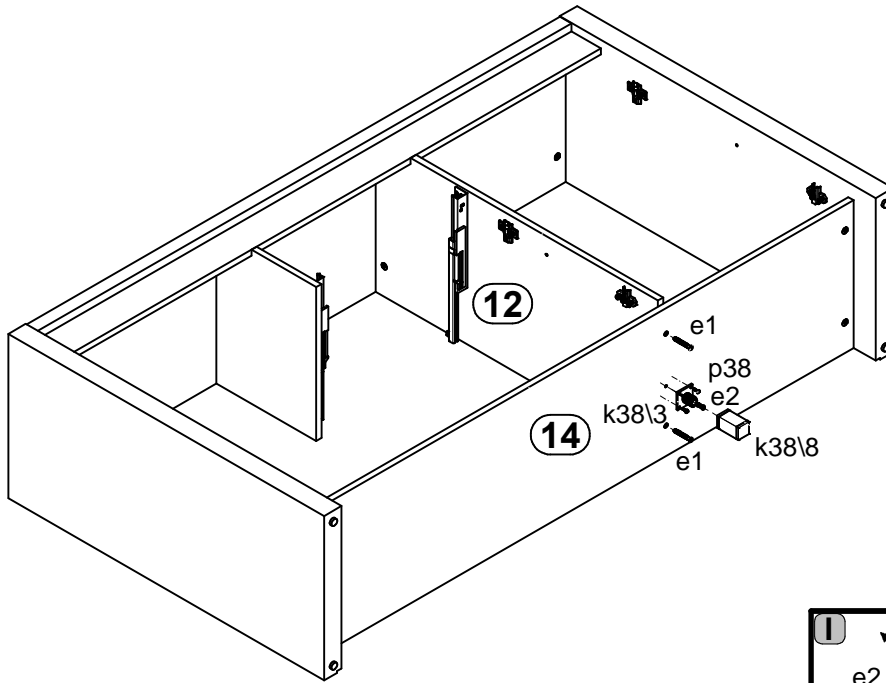


2

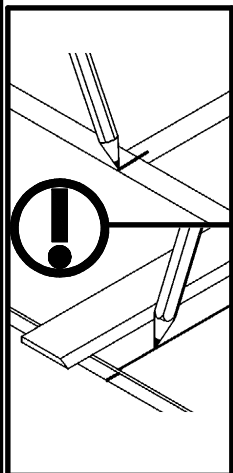
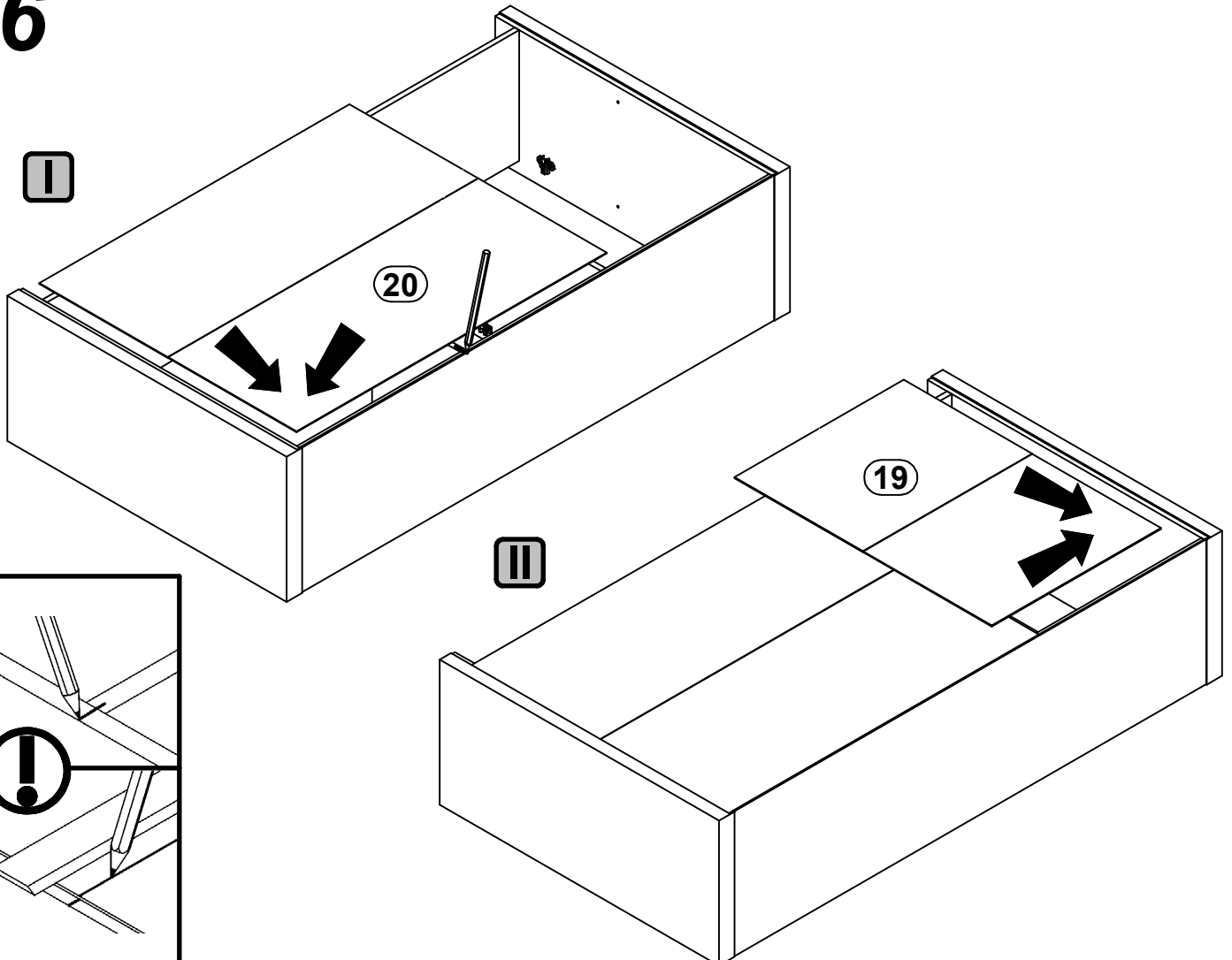




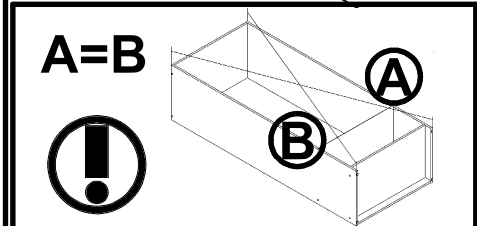
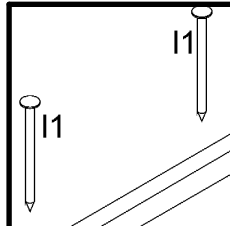
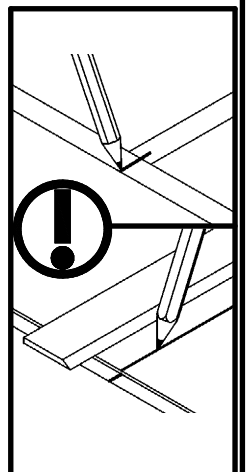
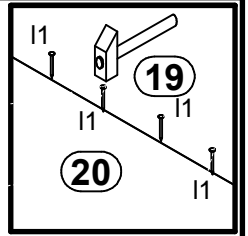
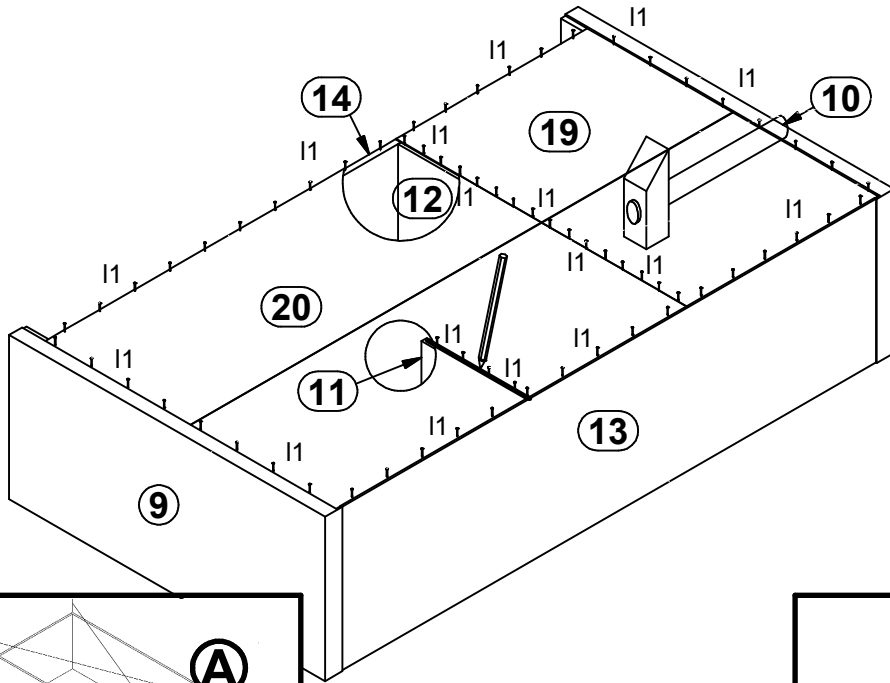
5



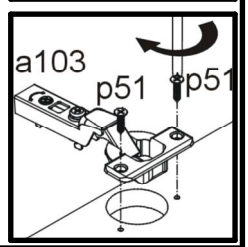
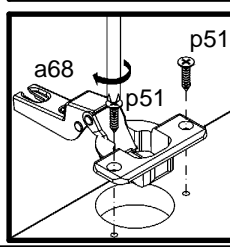
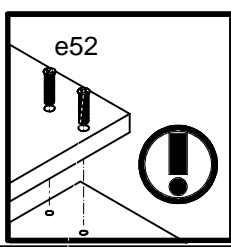
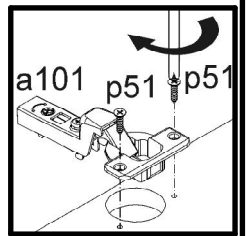
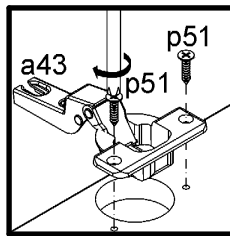
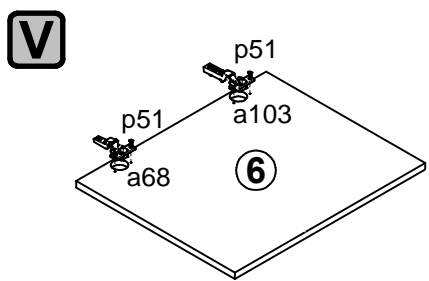
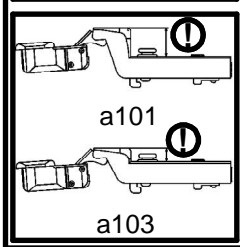
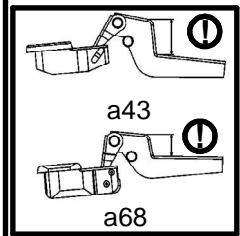
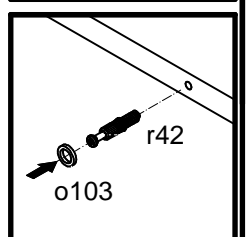
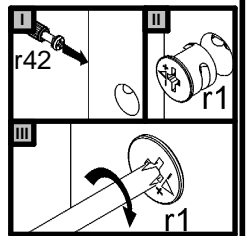
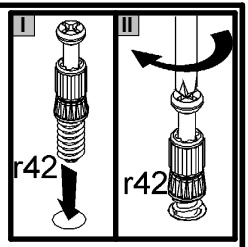
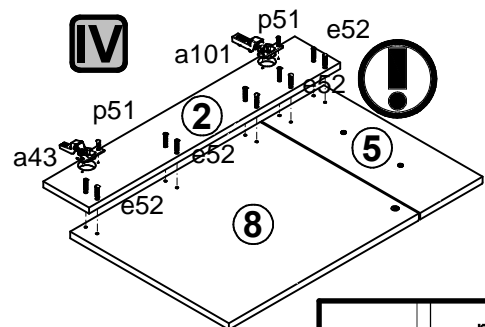
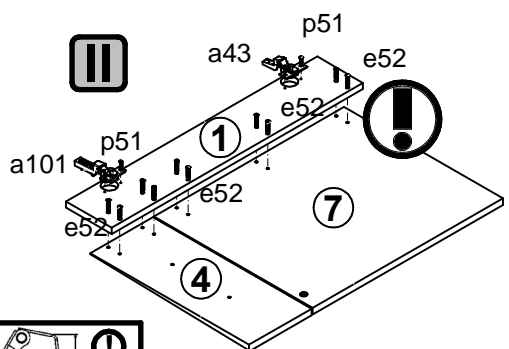
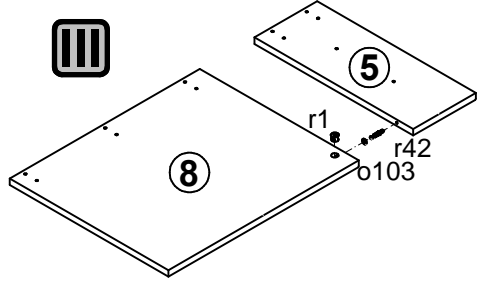
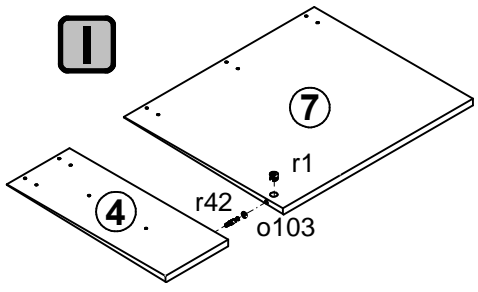
6



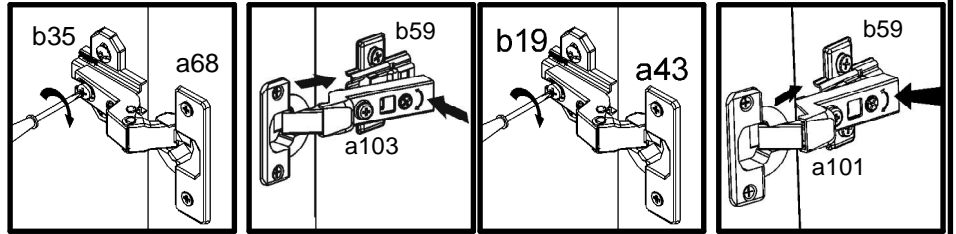
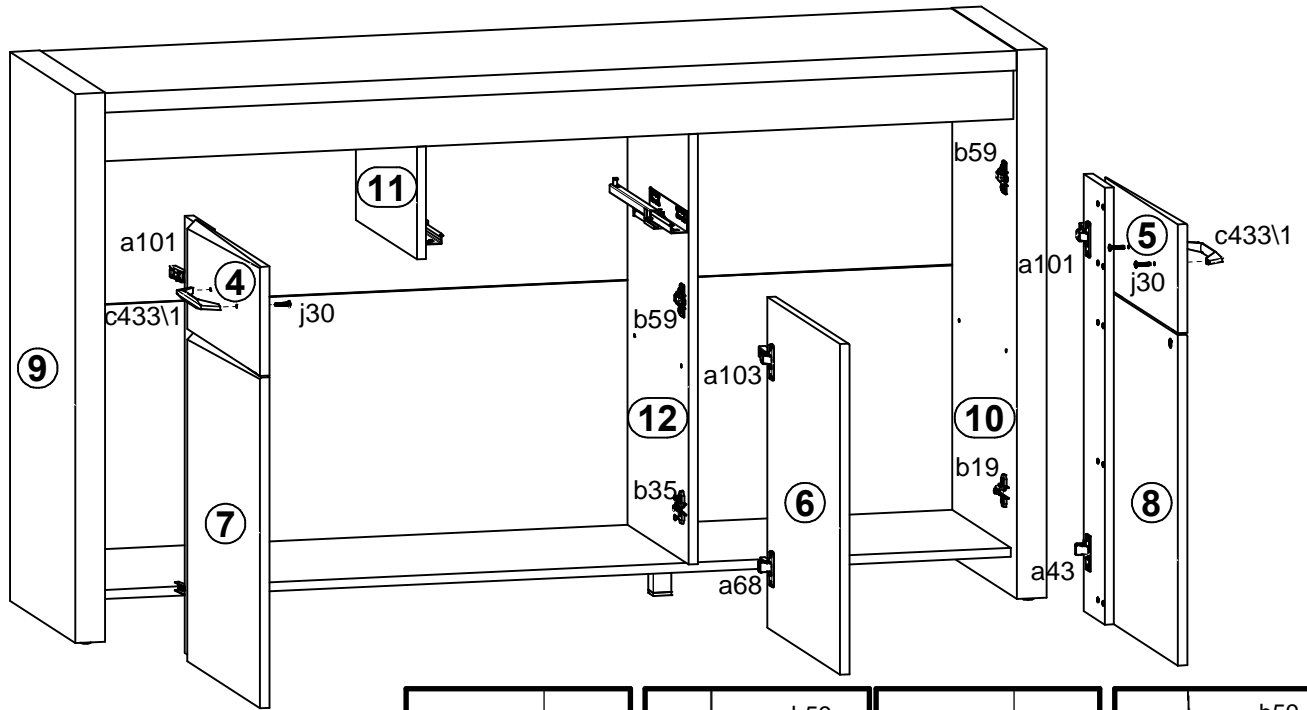
7



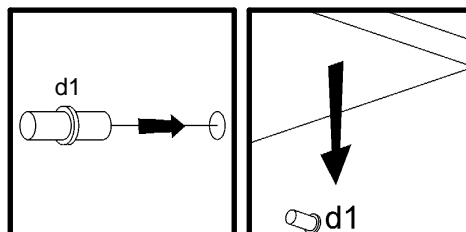
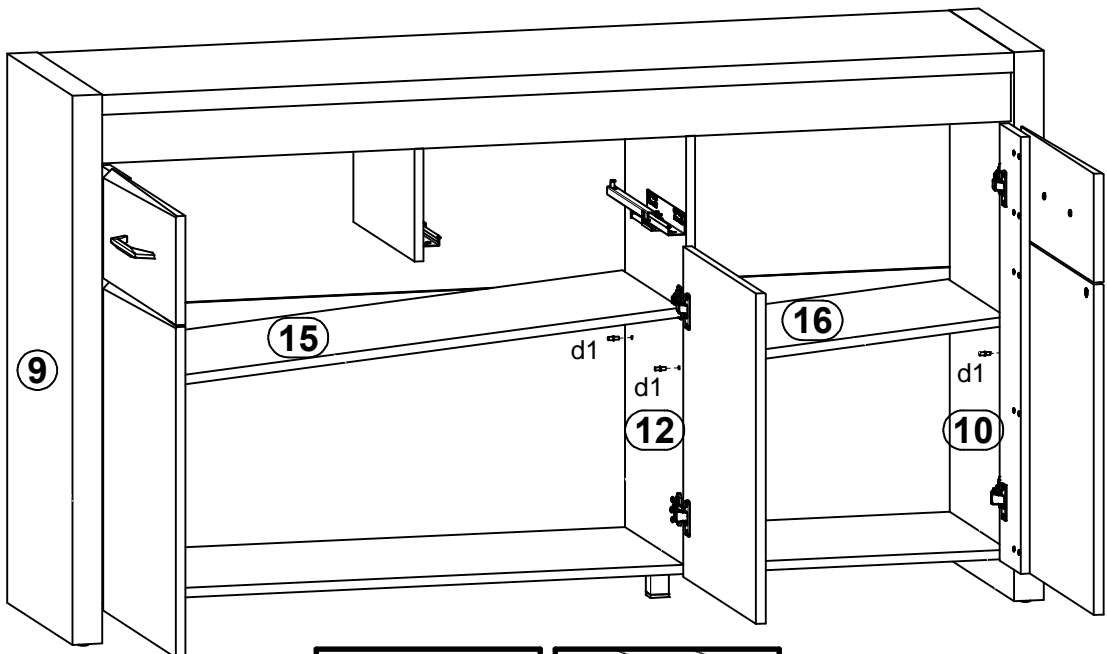
8



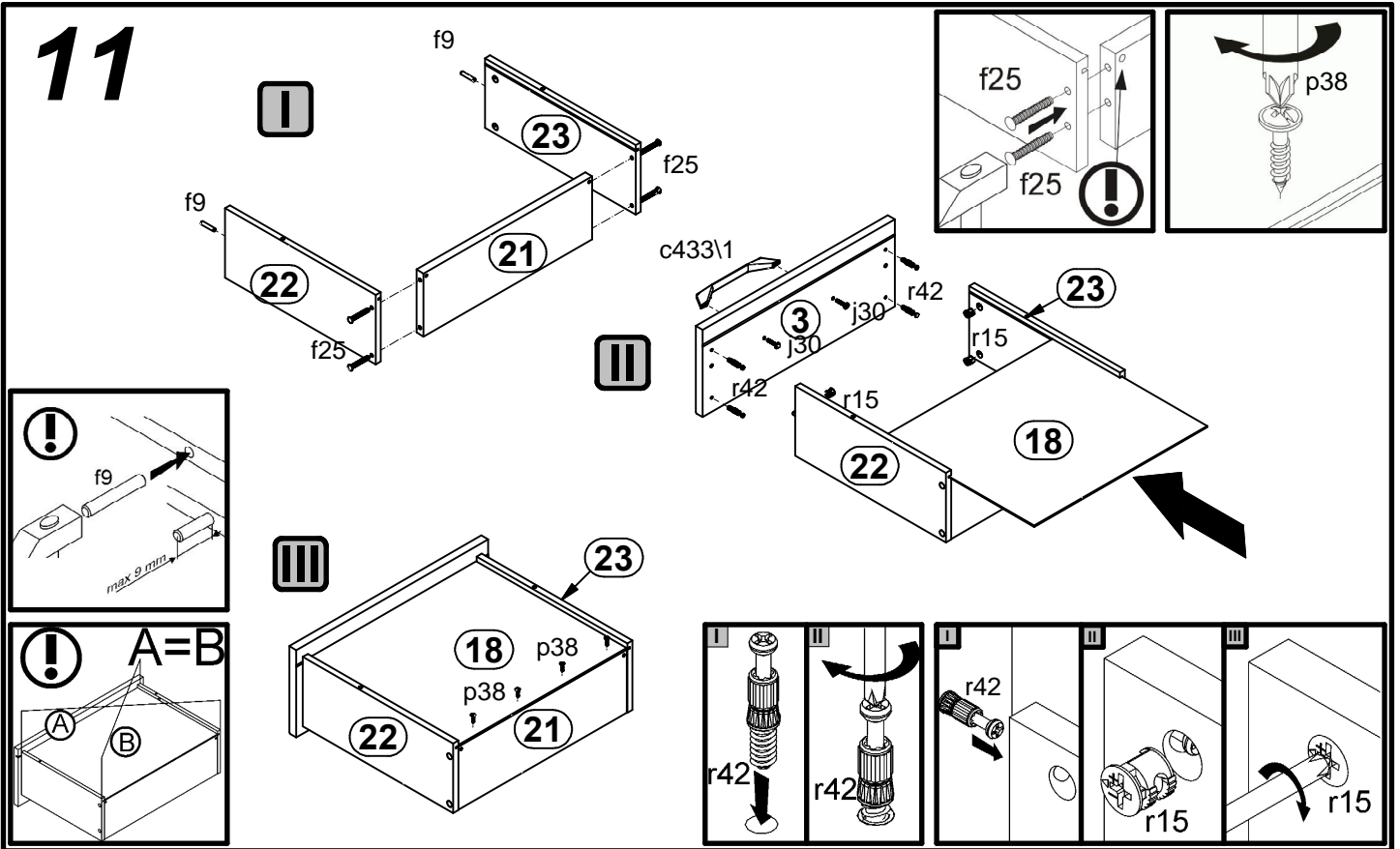
9



10



11



12

