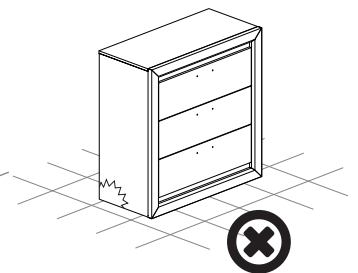
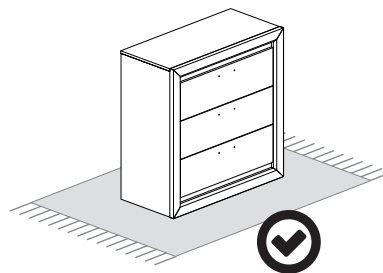
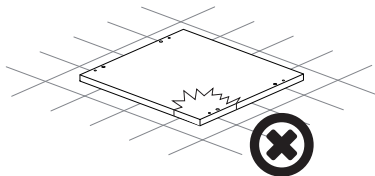
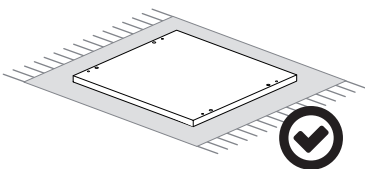
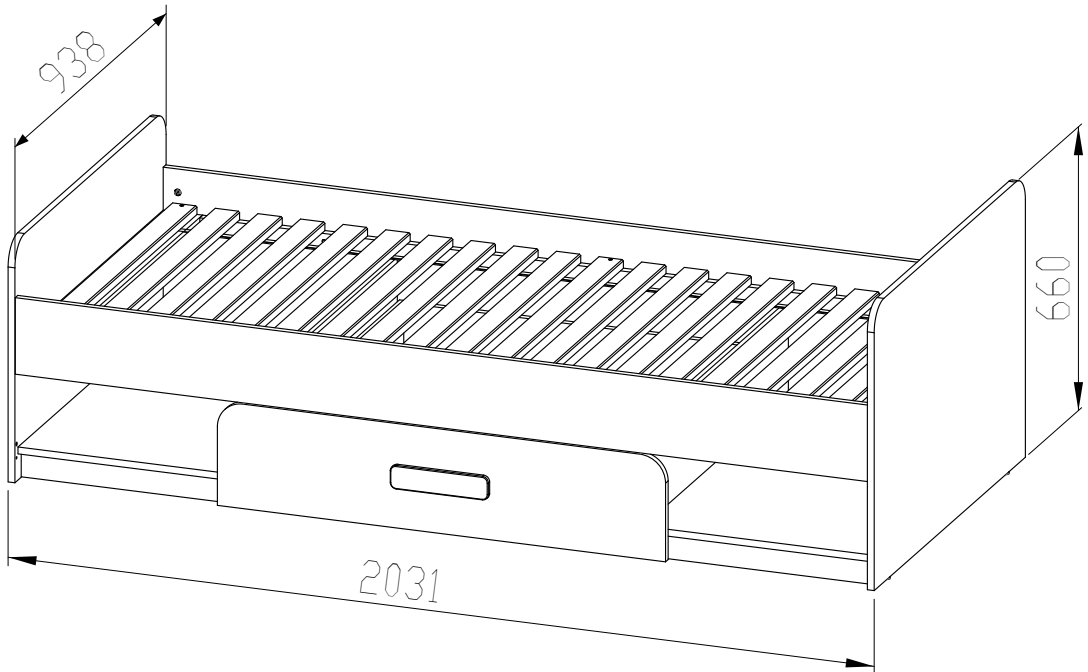
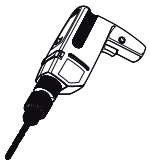
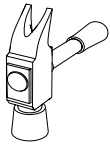
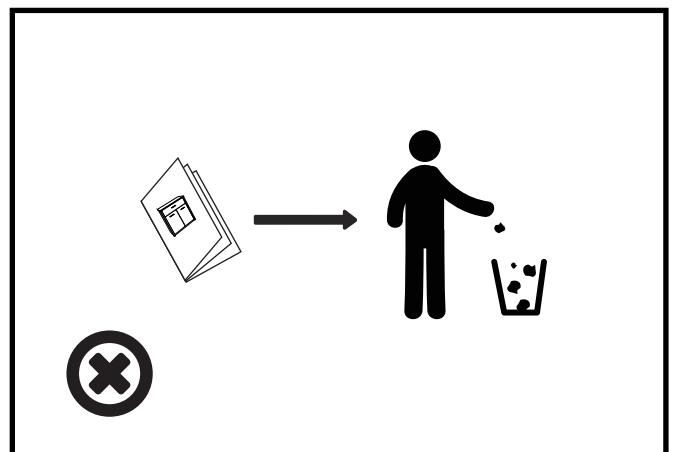
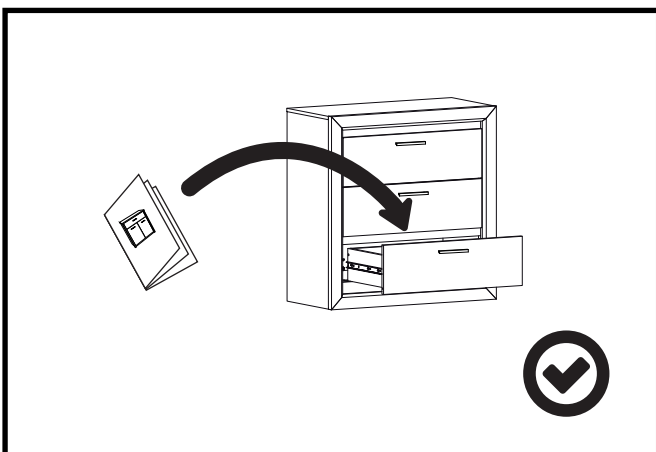
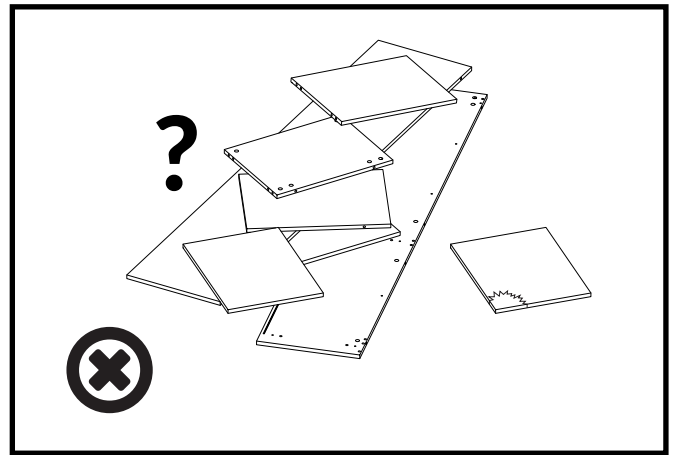
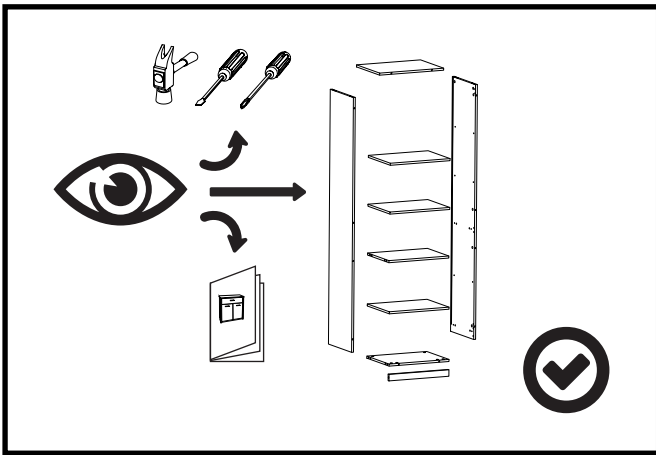
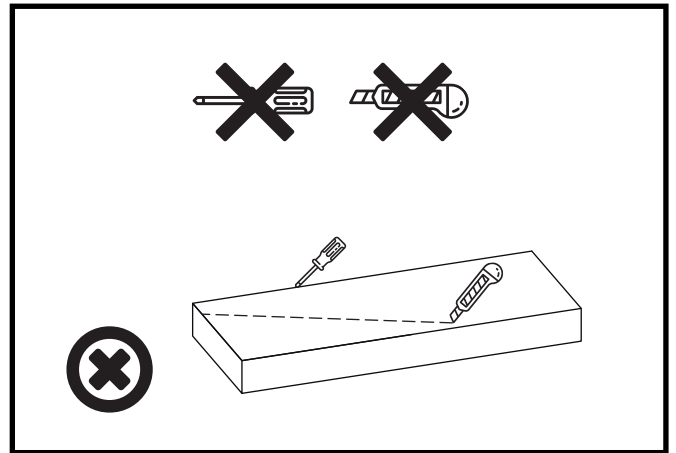
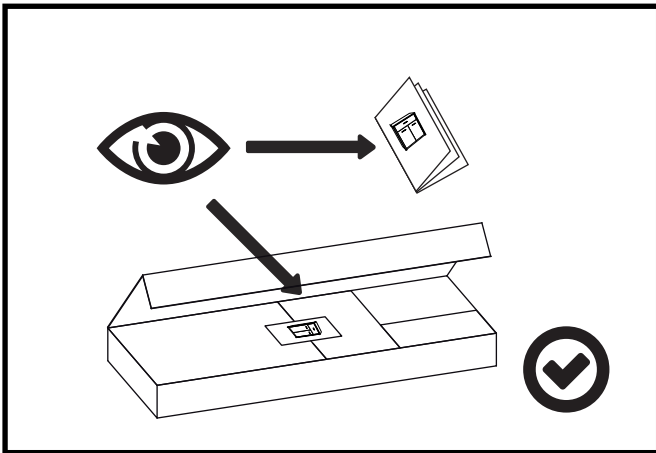
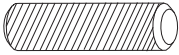
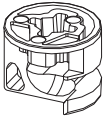


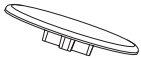
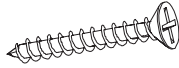


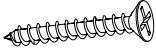
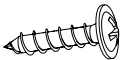
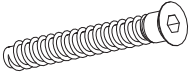
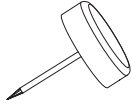
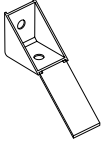

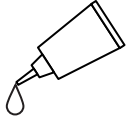
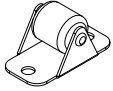
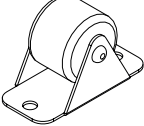
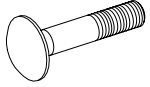

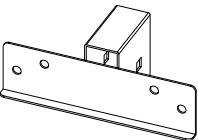



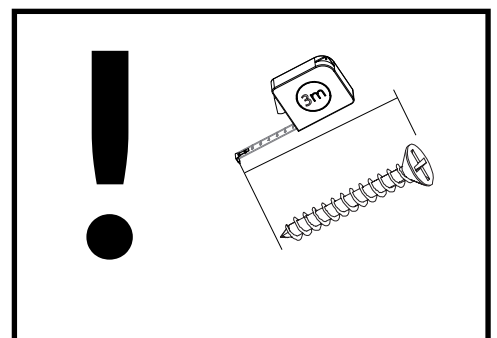
IQ 12



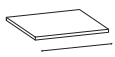
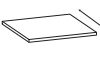
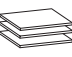


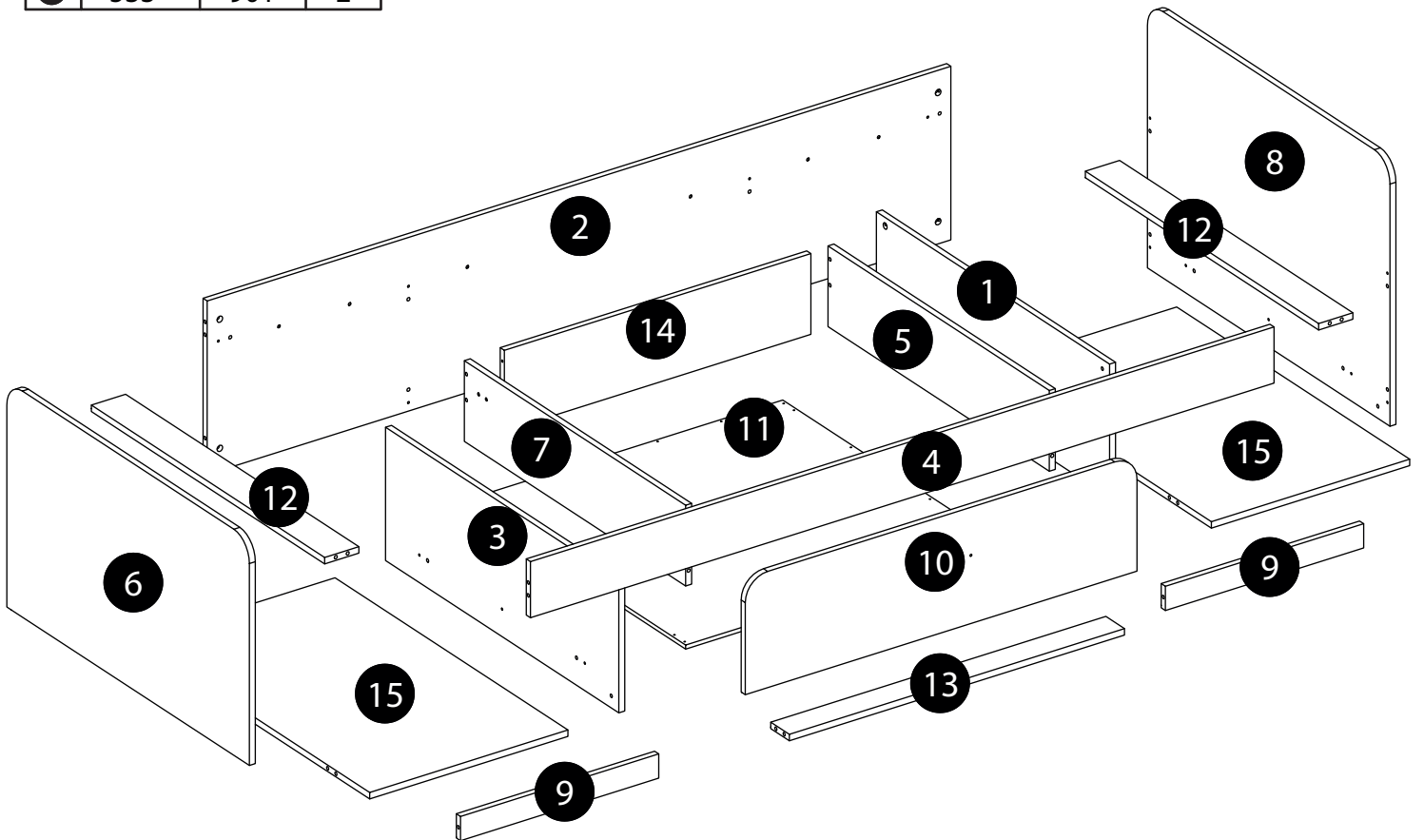
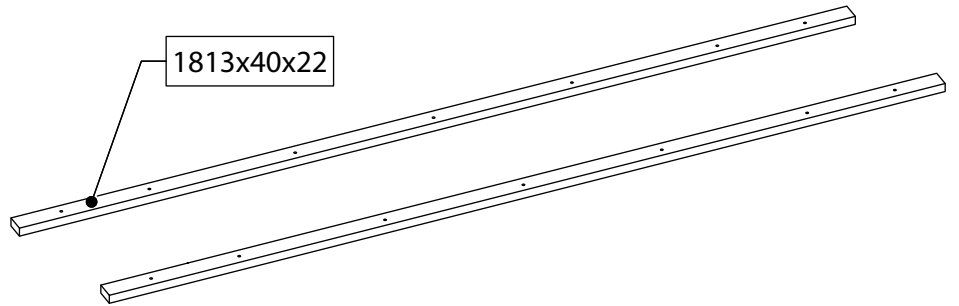
IQ 12

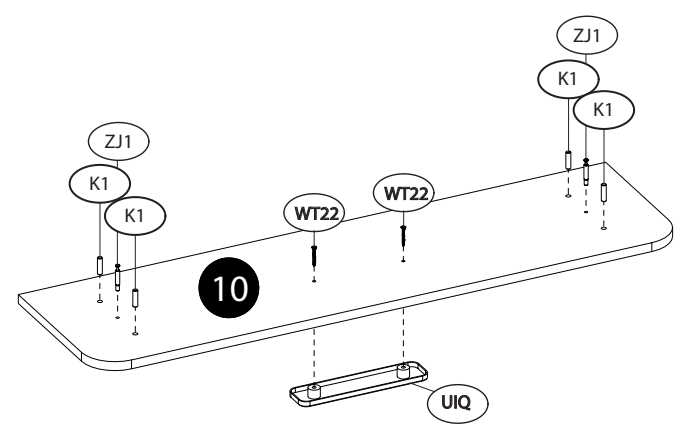
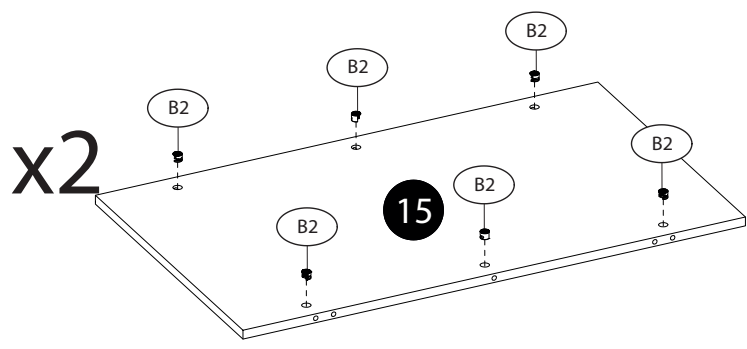
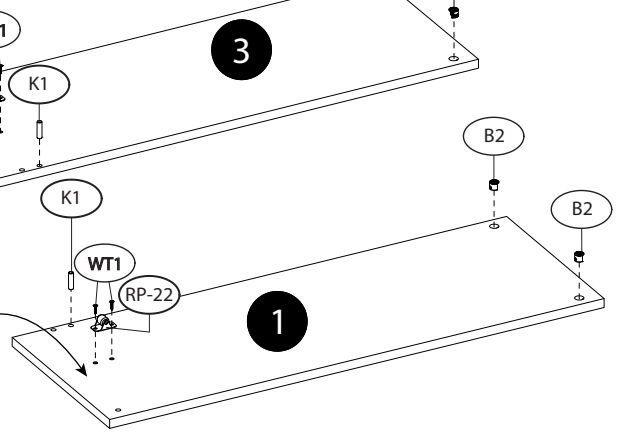
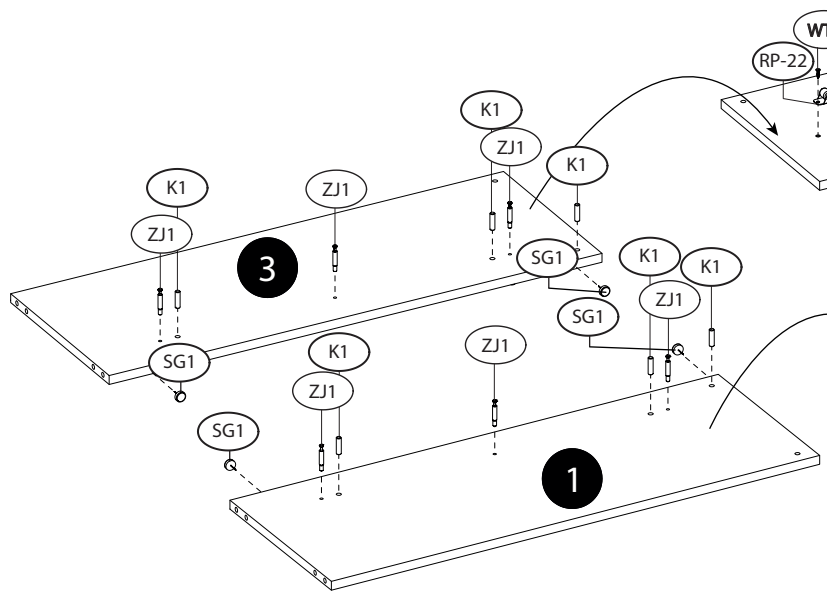
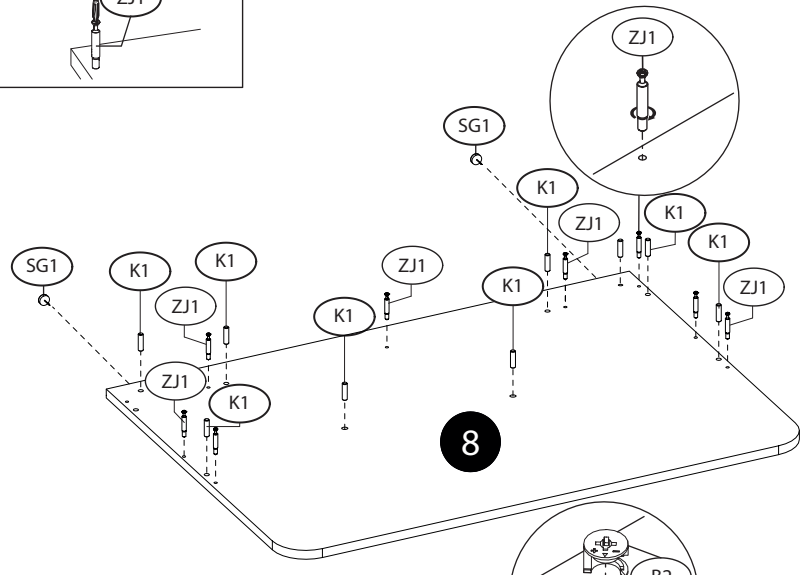
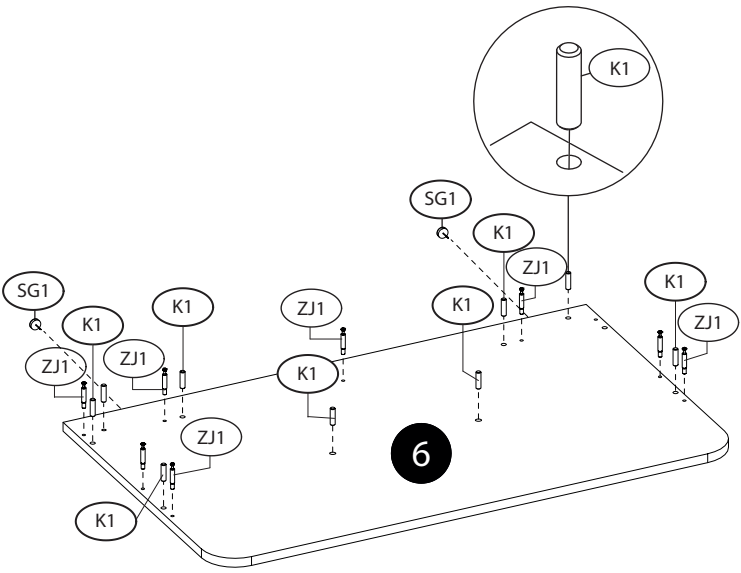
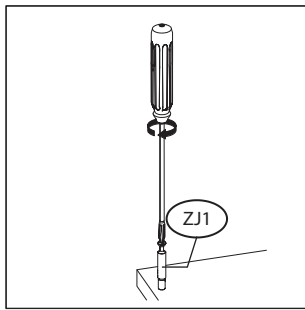
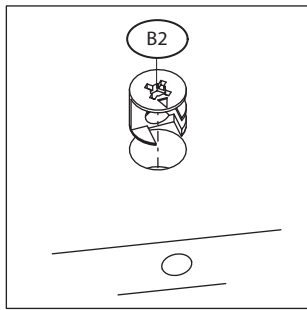
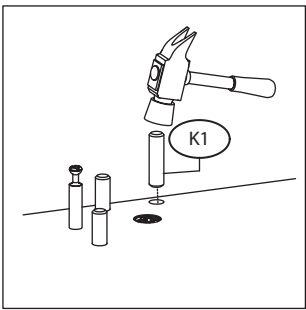
<p>K1 x 36</p> 	<p>B2 x 32</p> 	<p>ZJ1 x 32</p> 
<p>ZS1 x 4</p> 	<p>ZM1 x 8</p> 	<p>WT22 x 16 4x35</p> 
<p>WT1 x 10 3,5x15</p> 	<p>WT7 x 2 3x10</p> 	<p>WT18 x 22 4x30</p> 
<p>WT2 x 8 3,5x16</p> 	<p>KT1 x 6 6,3x50</p> 	<p>SG1 x 11</p> 
<p>PO4 x 2</p> 	<p>x 1</p> 	<p>KL x 1</p> 
<p>RP-22 x 4</p> 	<p>PR-33/G x 4</p> 	<p>SZMS x 2</p> 
<p>NMMS x 2</p> 	<p>LS1 x 2</p> 	<p>UIQ x 1</p> 

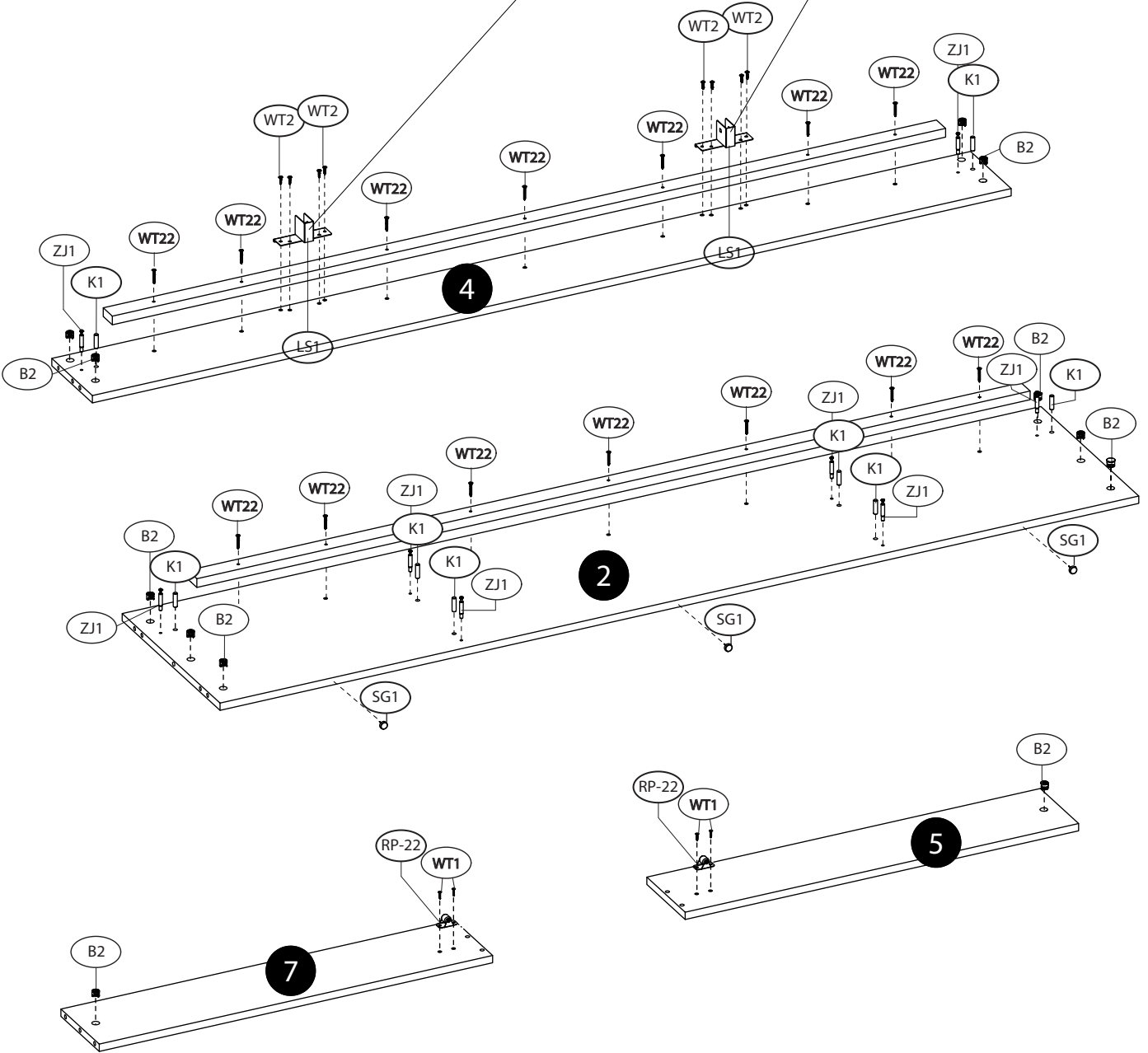
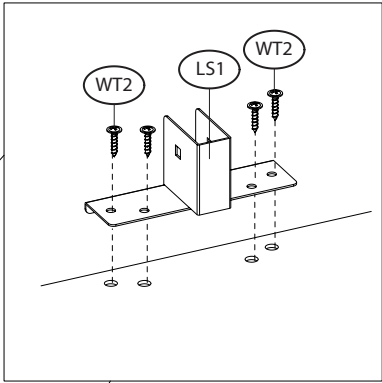


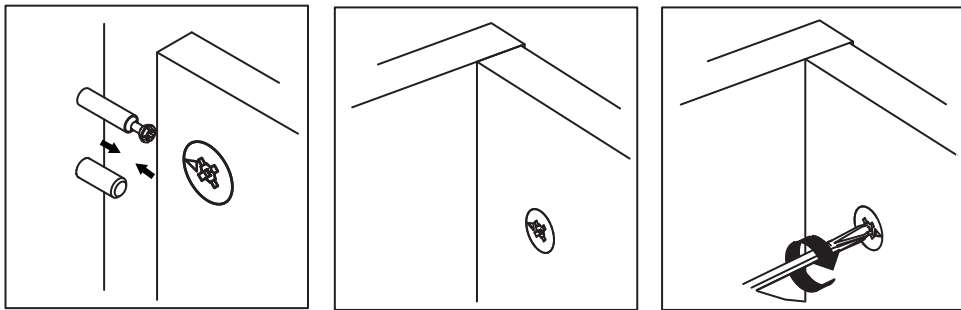
IQ 12

			
1	902	288	1
2	1999	429	1
3	902	288	1
4	1999	180	1
5	856	168	1
6	560	938	1
7	856	168	1
8	660	938	1
9	533	60	2
10	1053	243	1
11	856	856	1
12	902	92	2
13	901	72	1
14	824	168	1
15	533	901	2

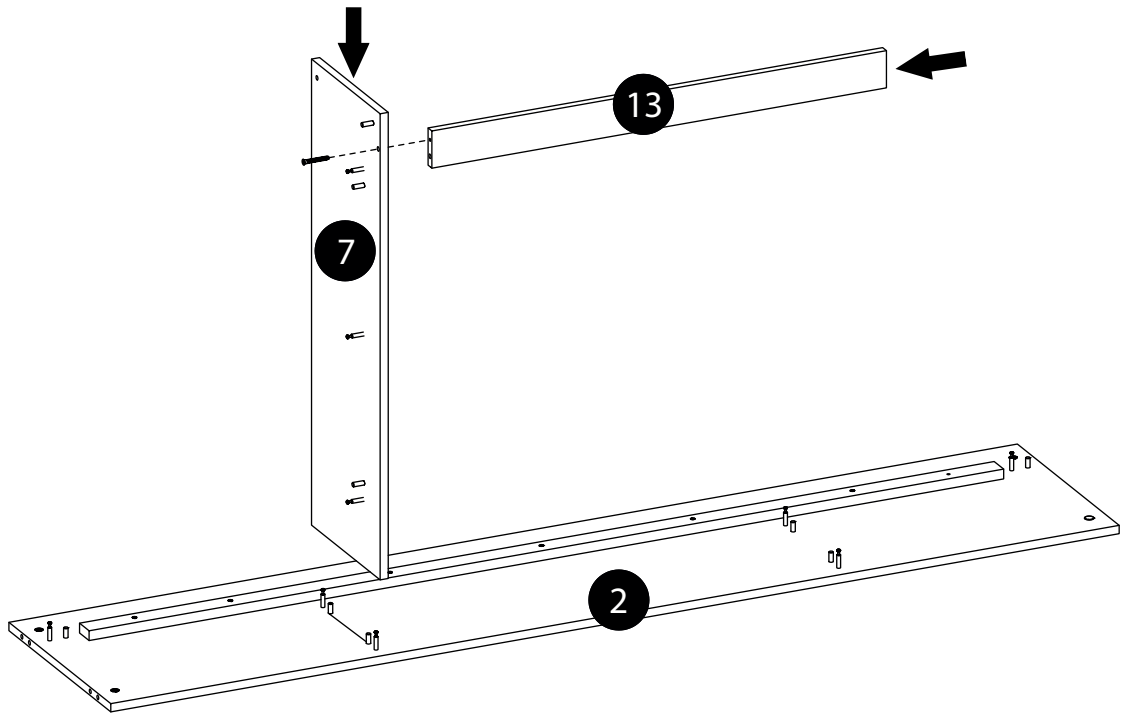




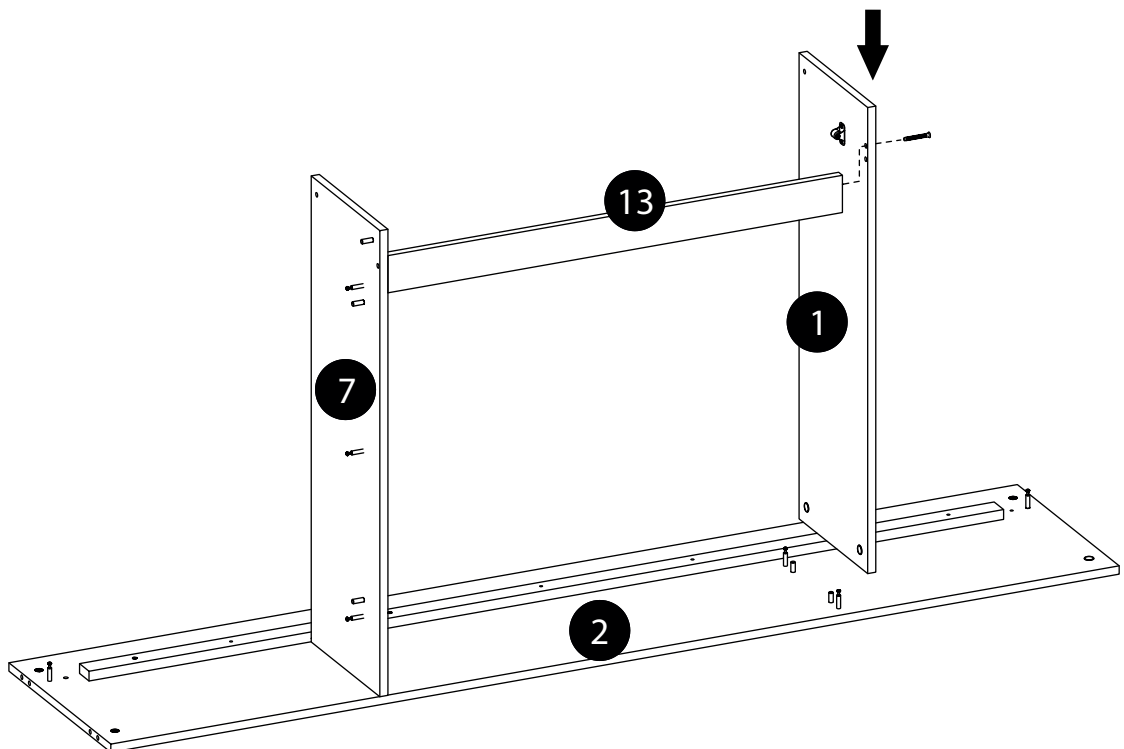




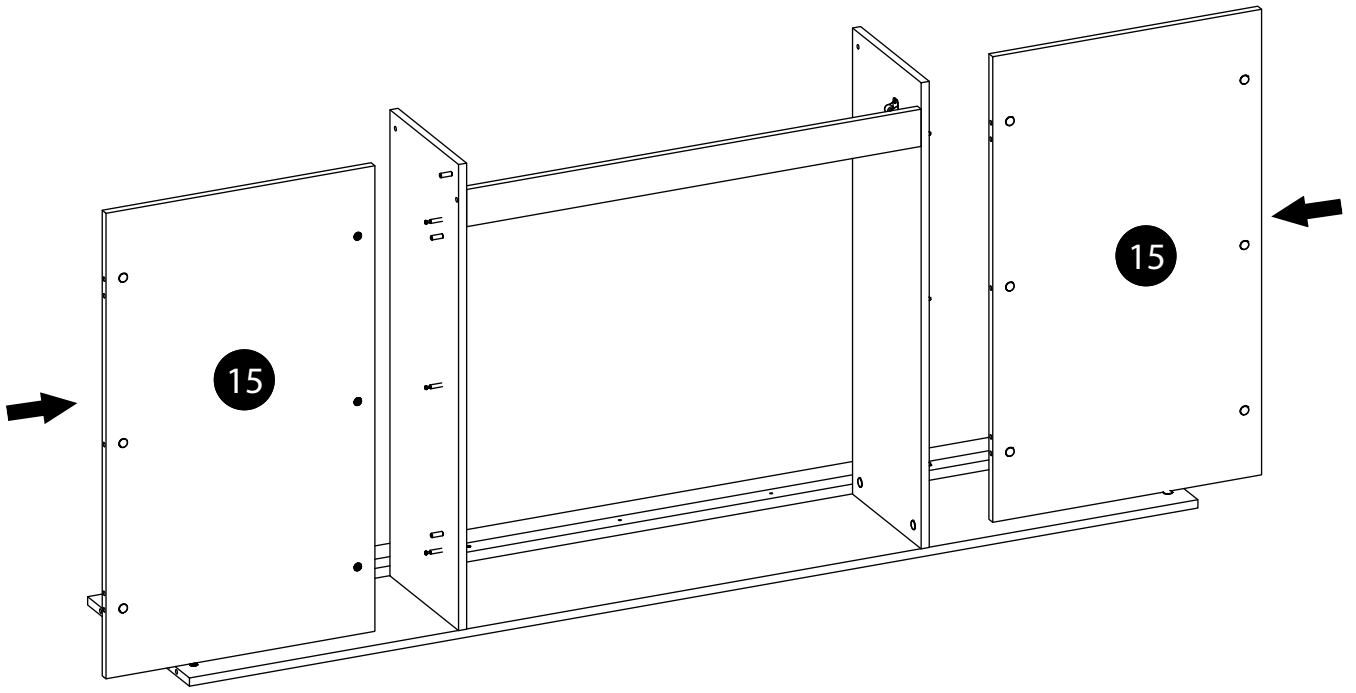
A ▶



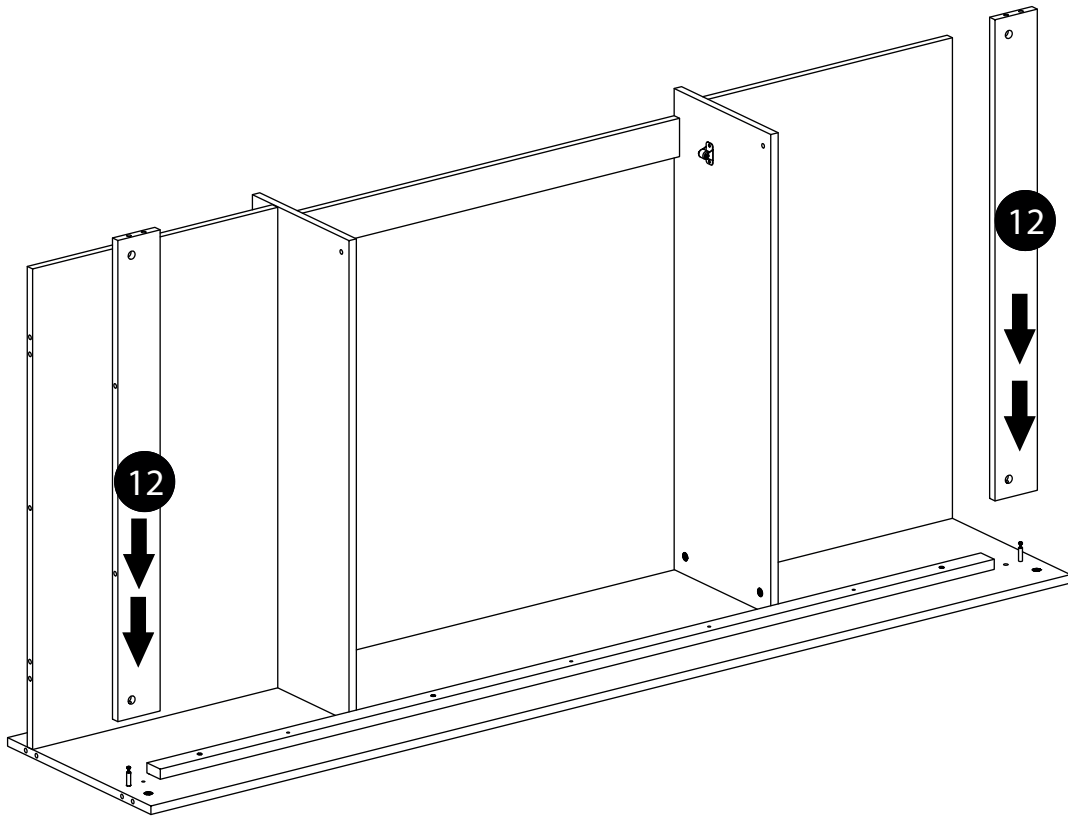
B ▶

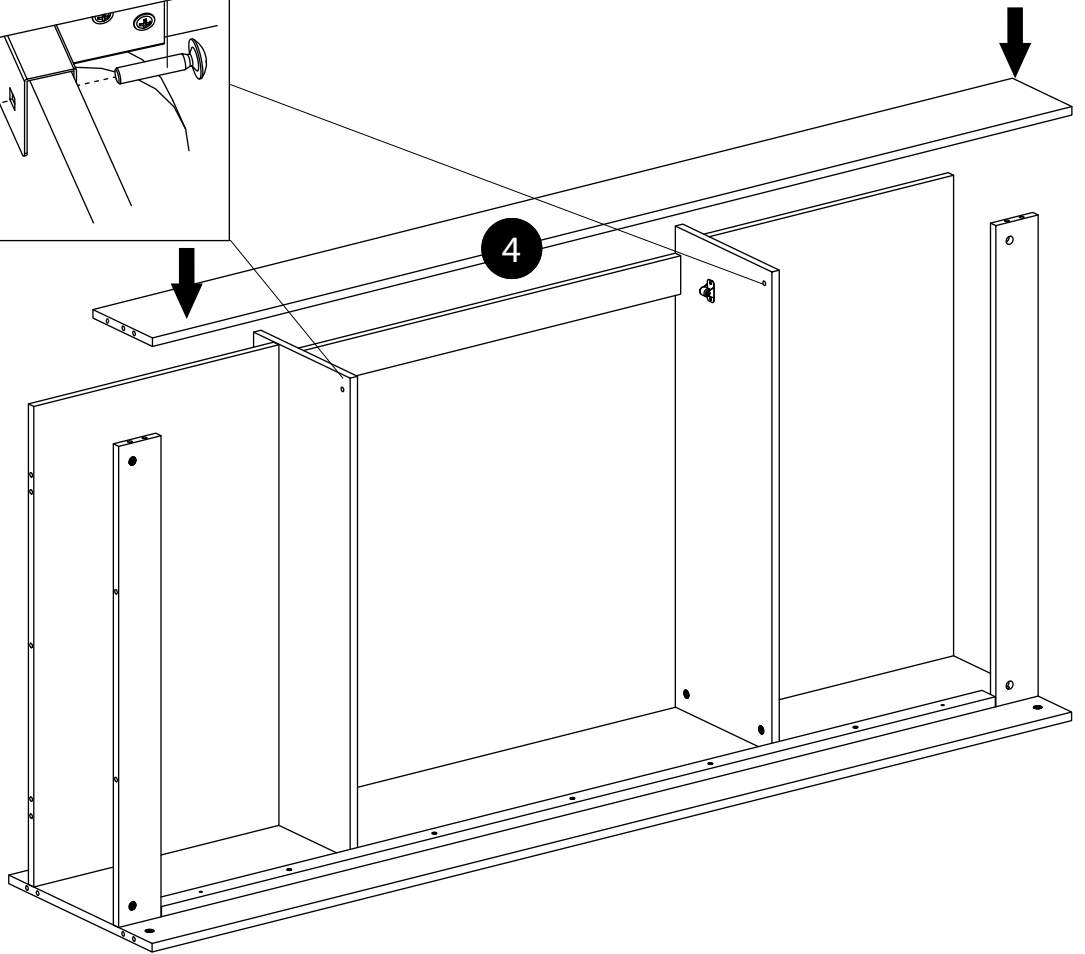
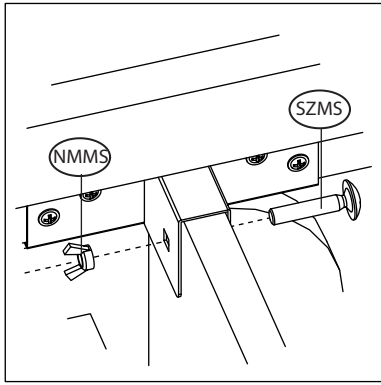


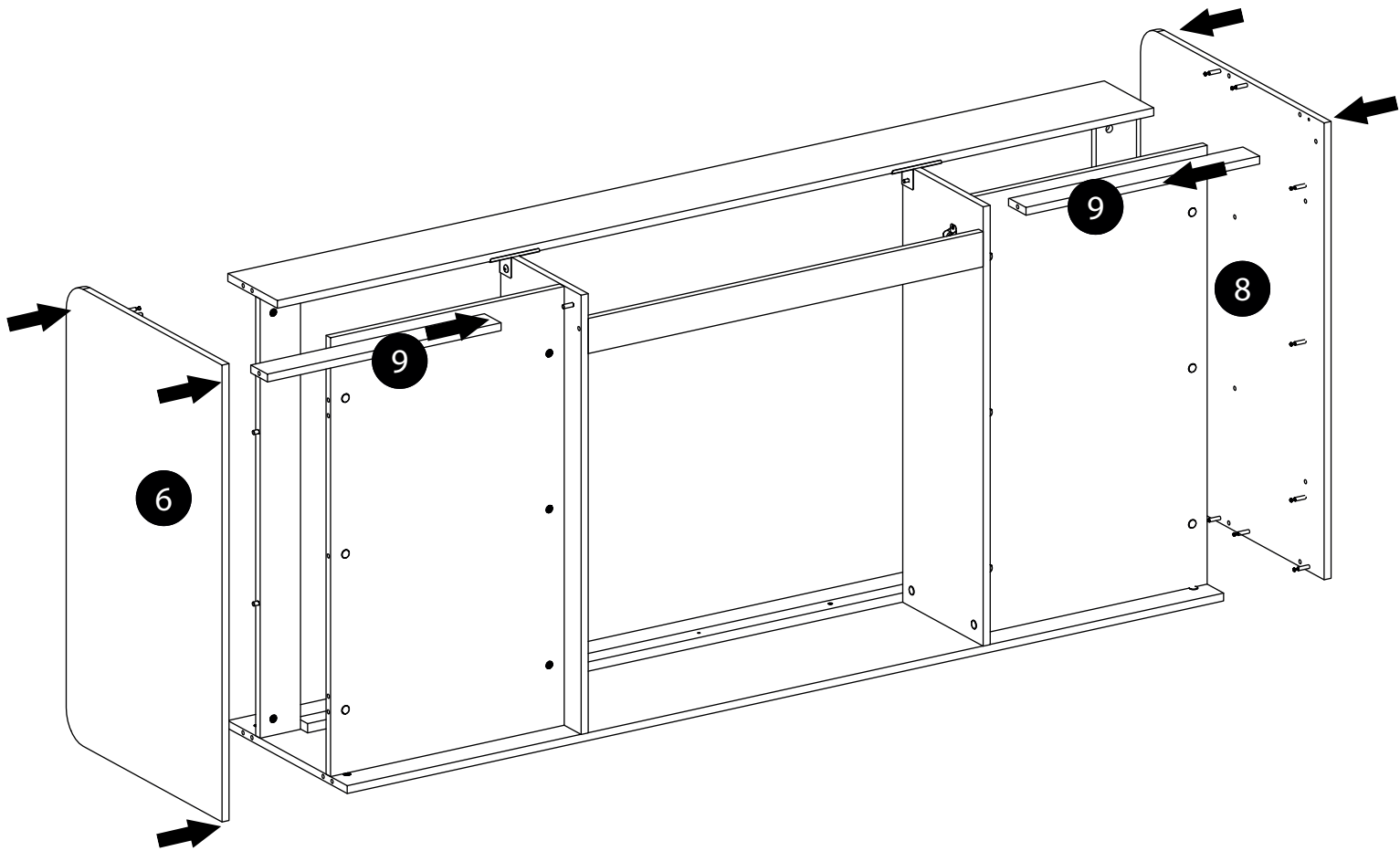
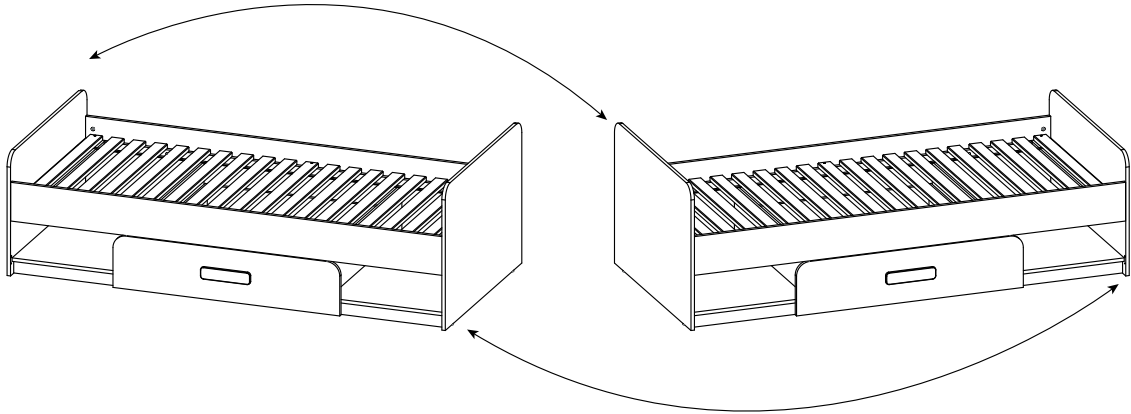
C ▶



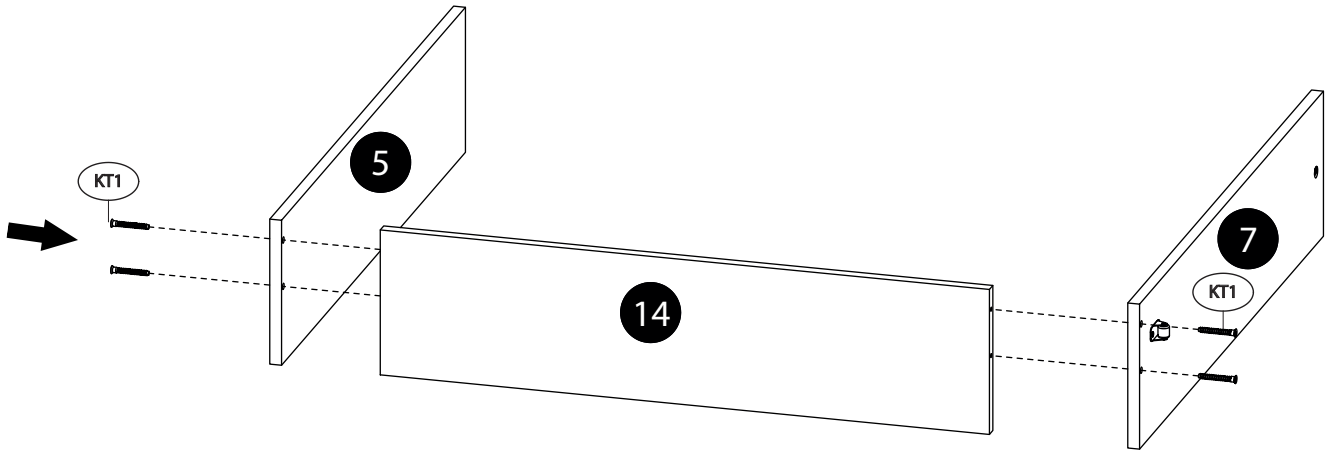
D ▶







G ▶



H ▶

