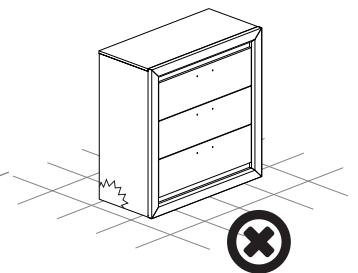
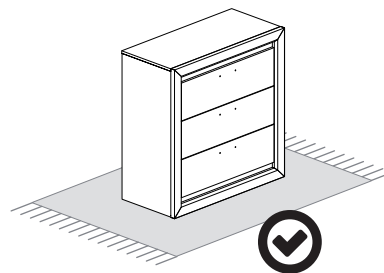
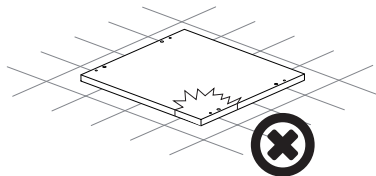
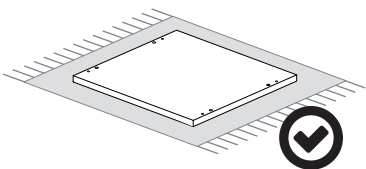
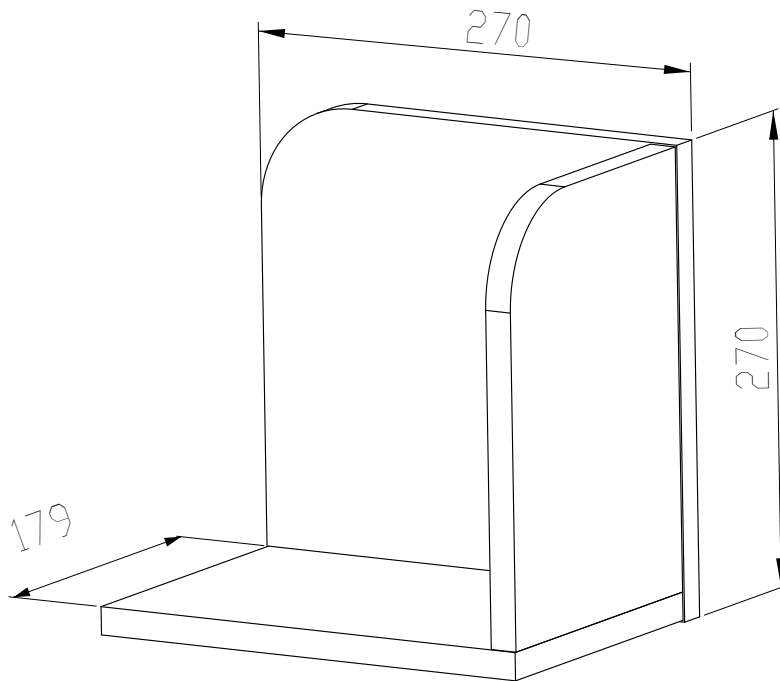
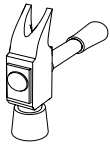
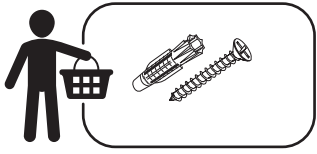
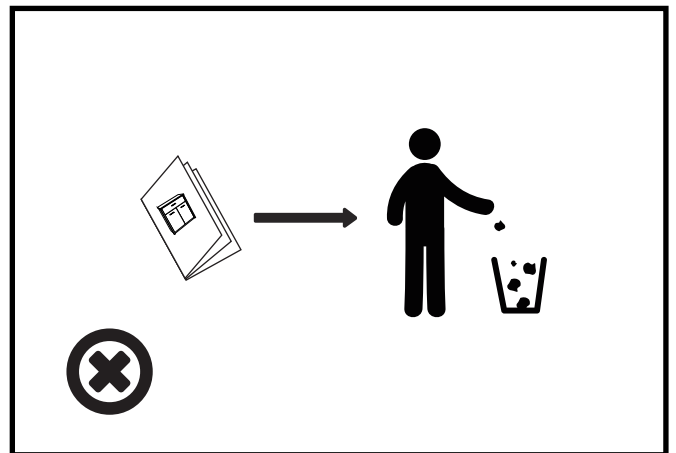
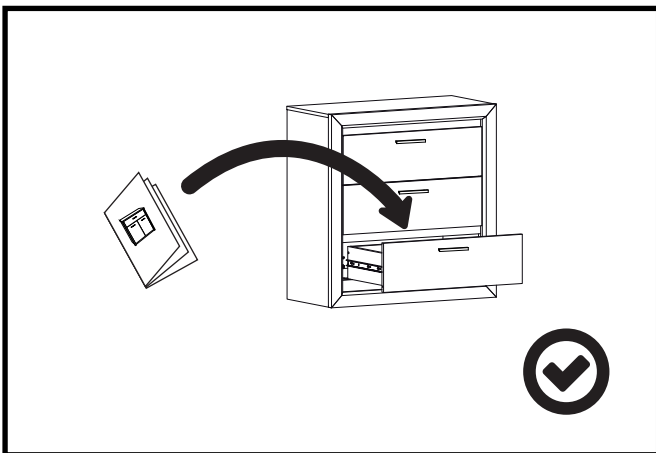
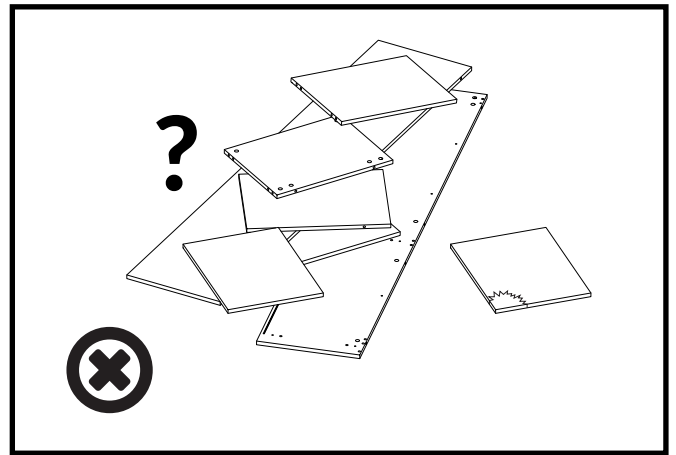
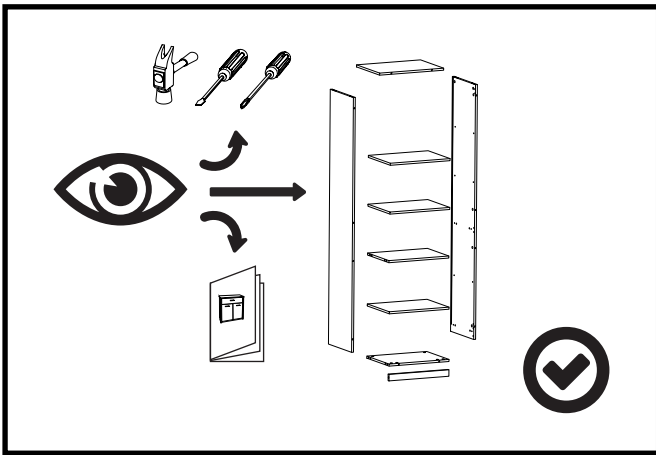
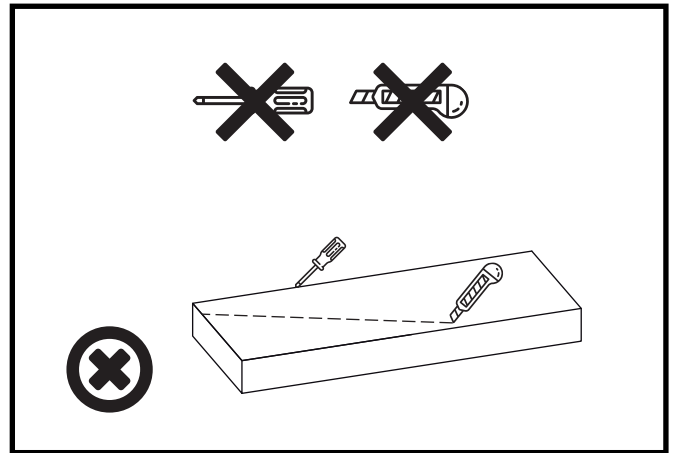
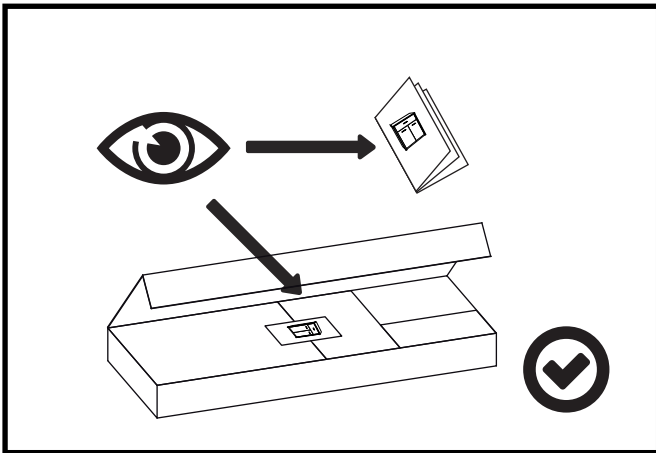
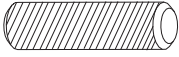
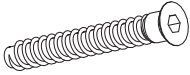
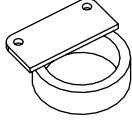
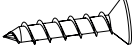

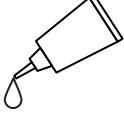



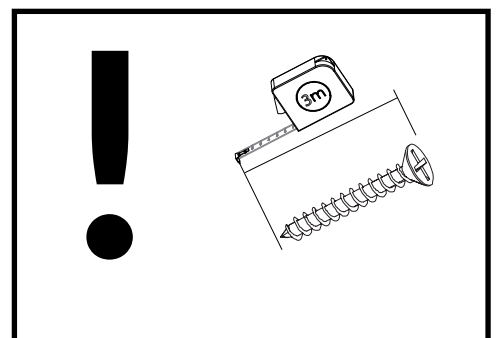
# IQ 16



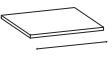
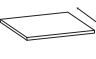
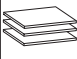


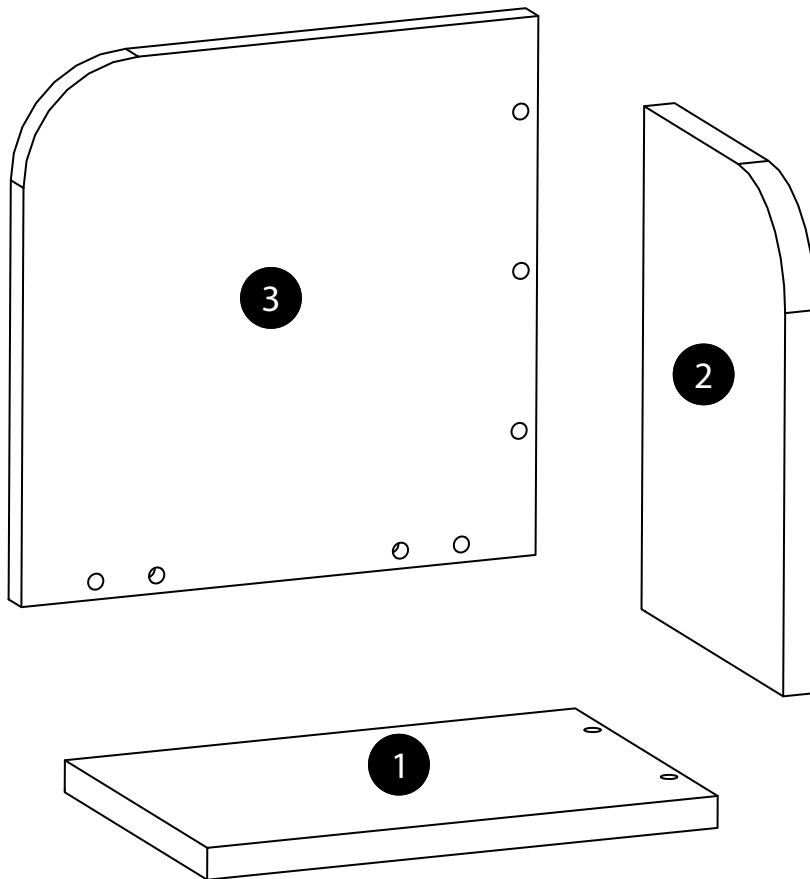
# IQ 16

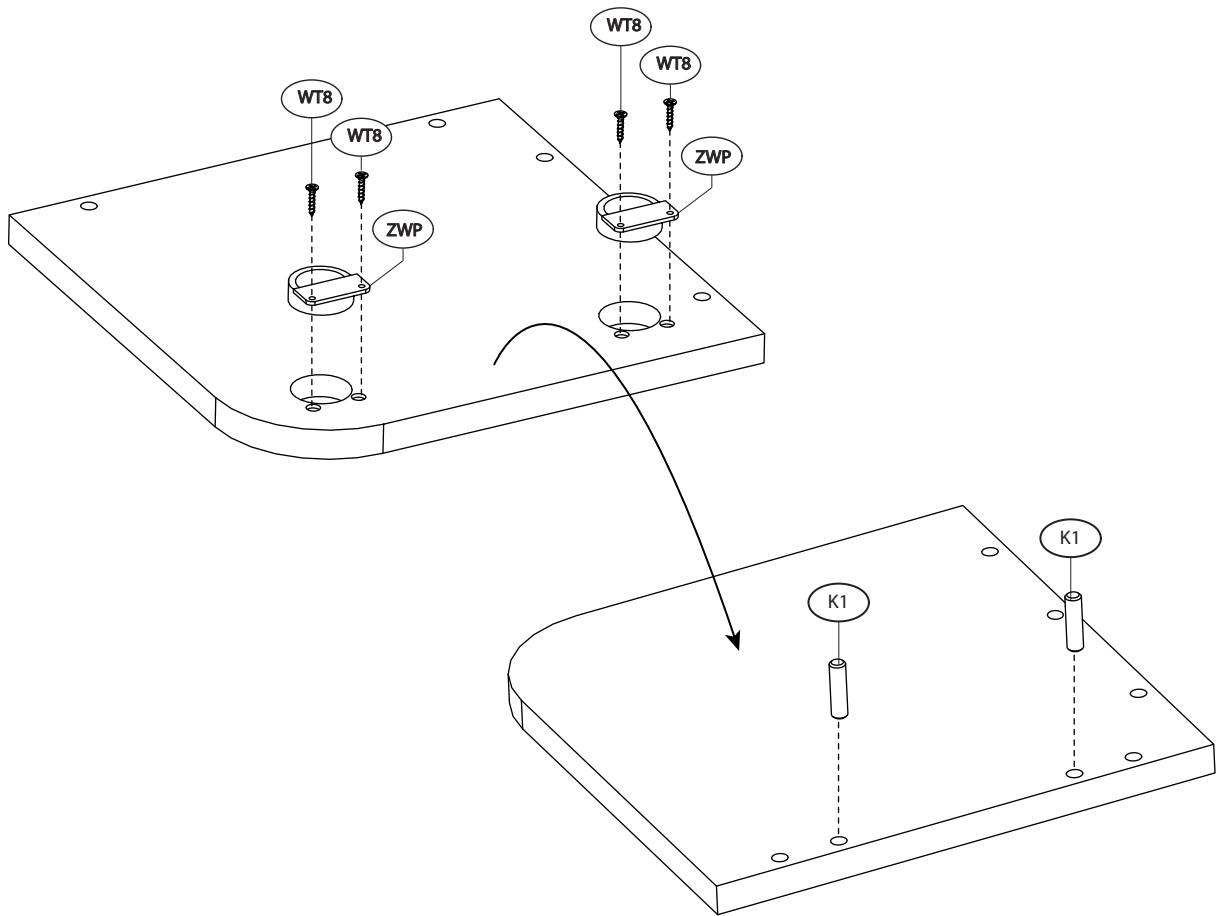
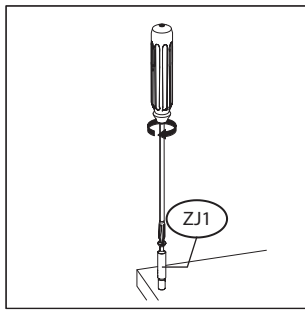
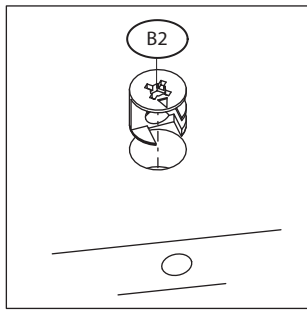
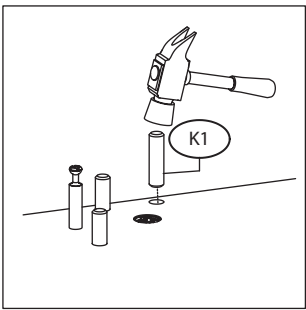
<p>K1 x 4</p> 	<p>KT1 x 7 6,3x50</p> 	<p>ZWP x 2</p> 
<p>WT8 x 4</p> 	<p>x 1</p> 	<p>KL x 1</p> 
<p>ZS1 x 2</p> 		



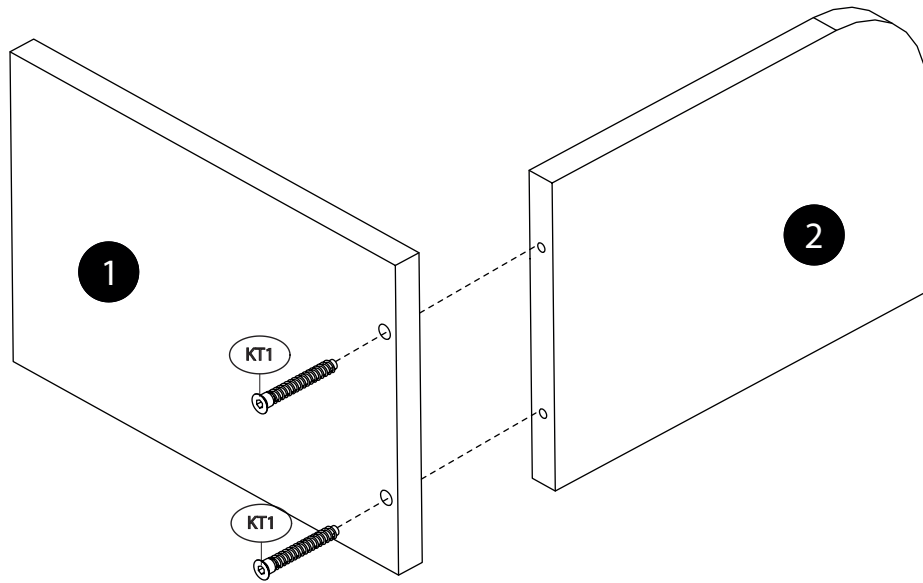
# IQ 16

			
①	268	179	1
②	252	178	1
③	270	270	1





**A ▶**



**B ▶**

