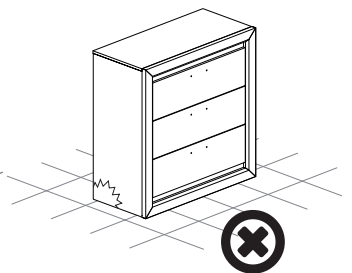
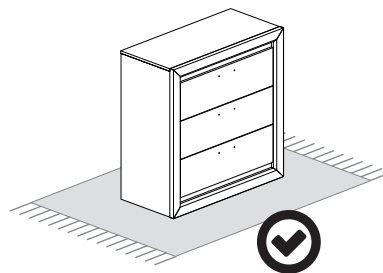
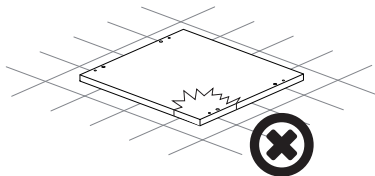
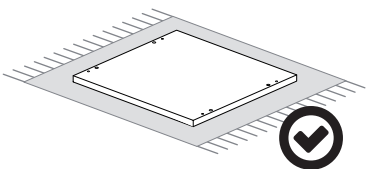
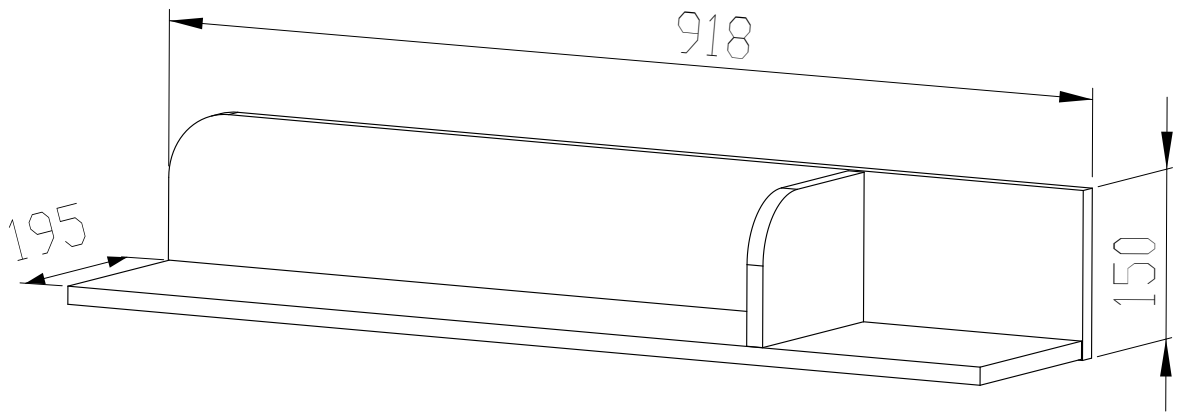
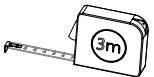
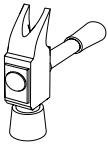
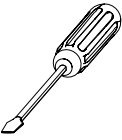
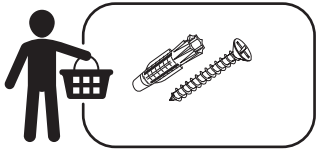
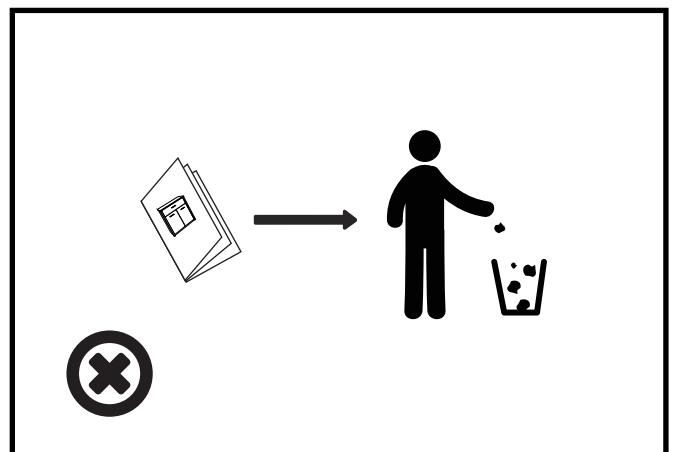
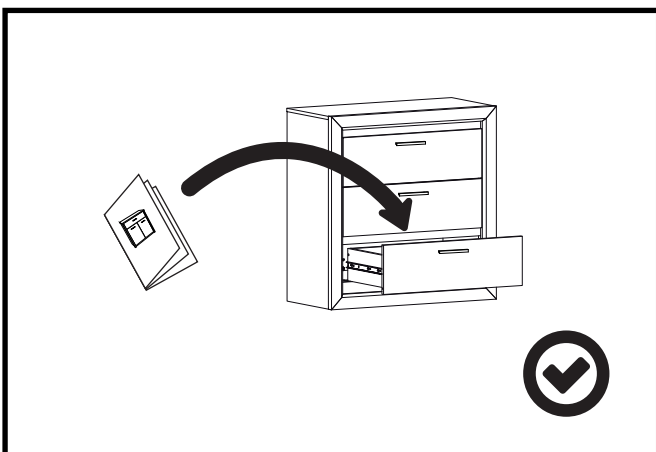
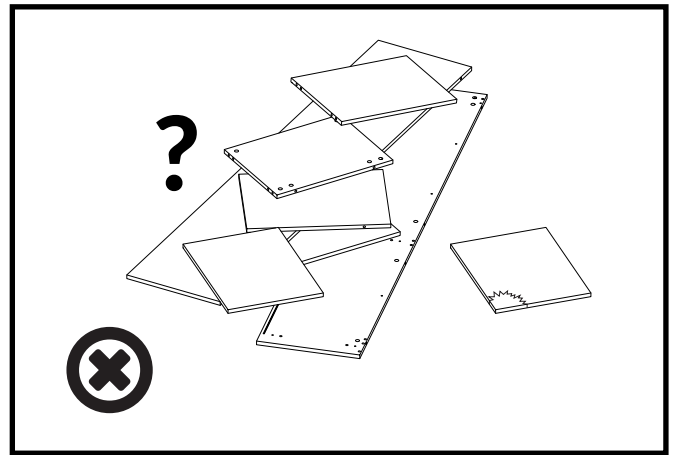
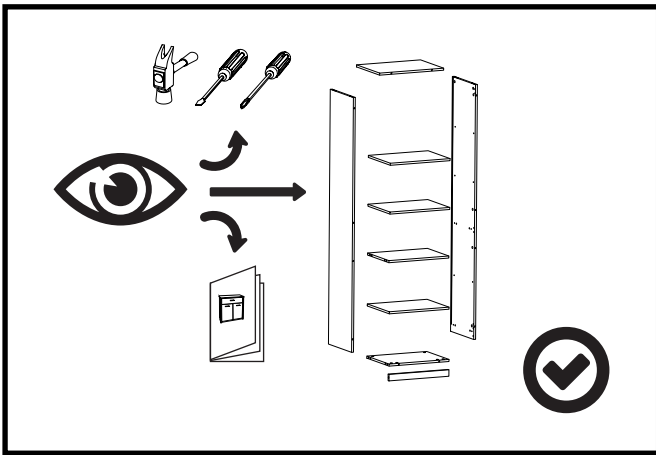
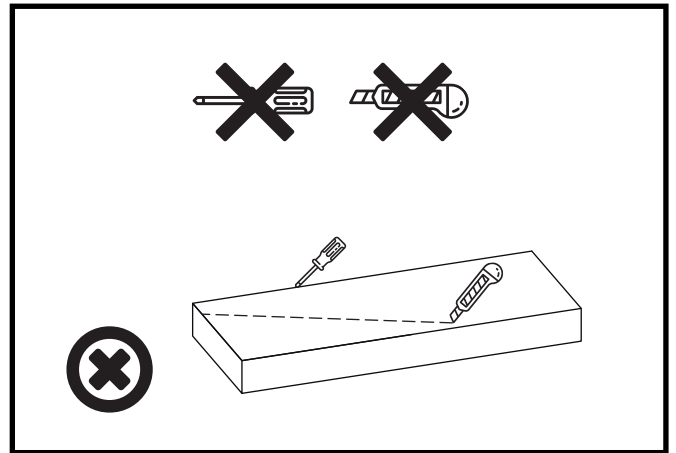
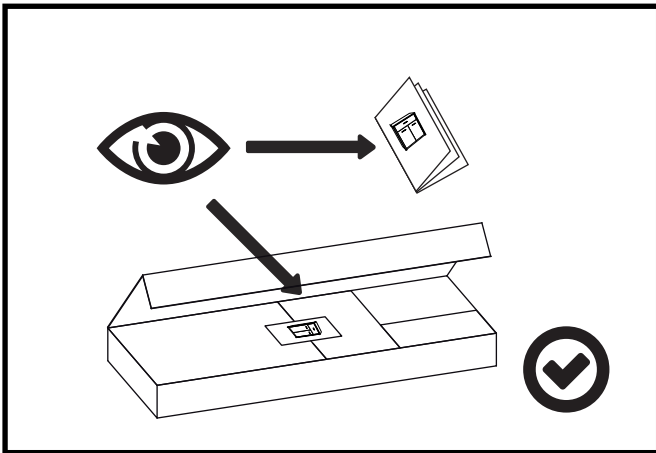
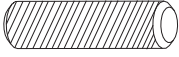
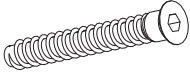
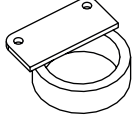




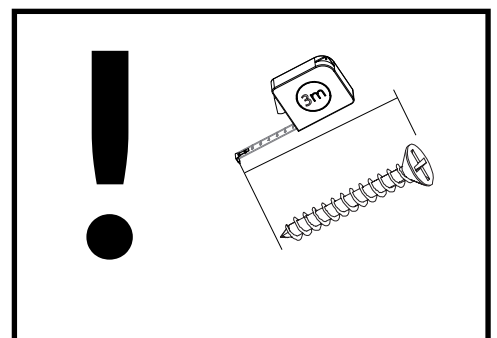
# IQ 15



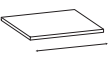
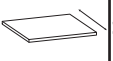
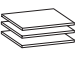


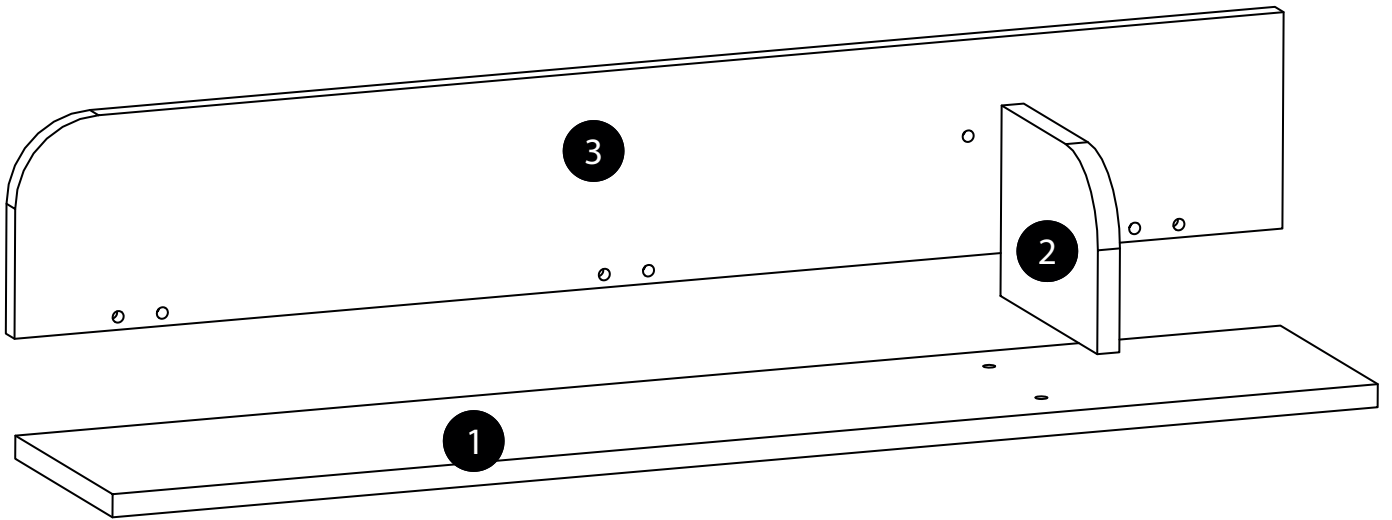
# IQ 15

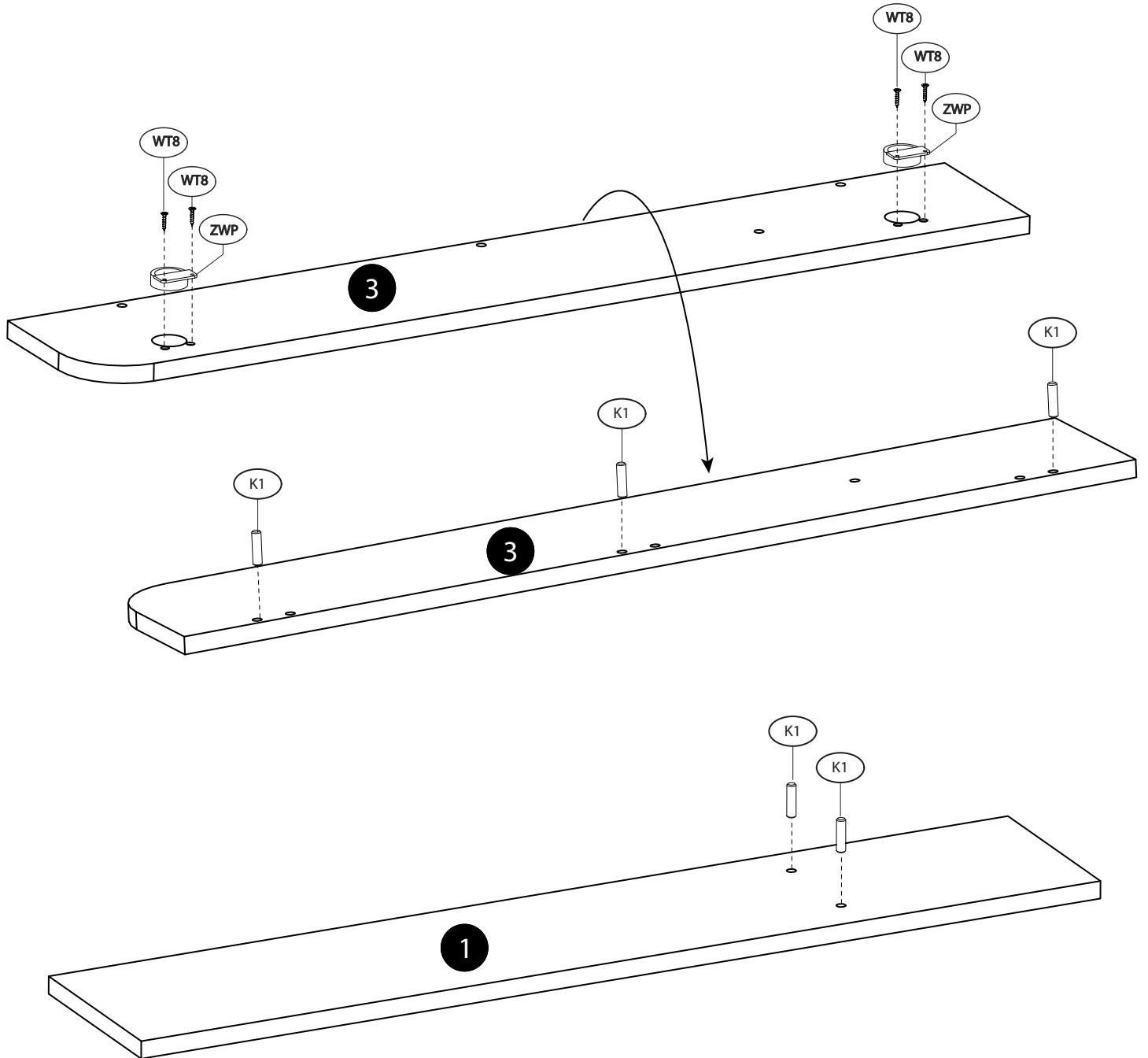
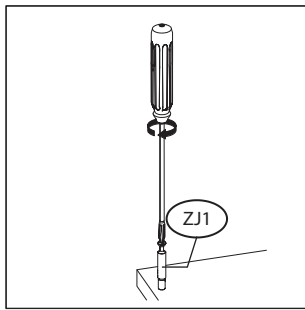
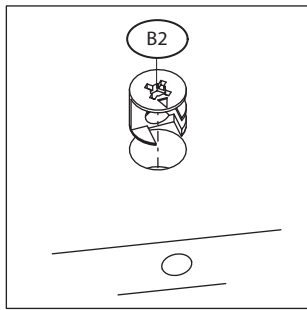
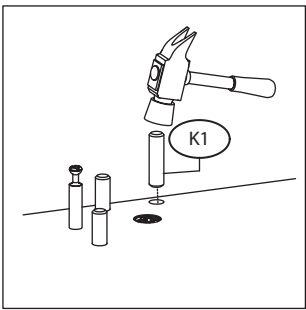
<p>K1 x 5</p> 	<p>KT1 x 4 6,3x50</p> 	<p>ZWP x 2</p> 
<p>WT8 x 4</p> 	<p>x 1</p> 	



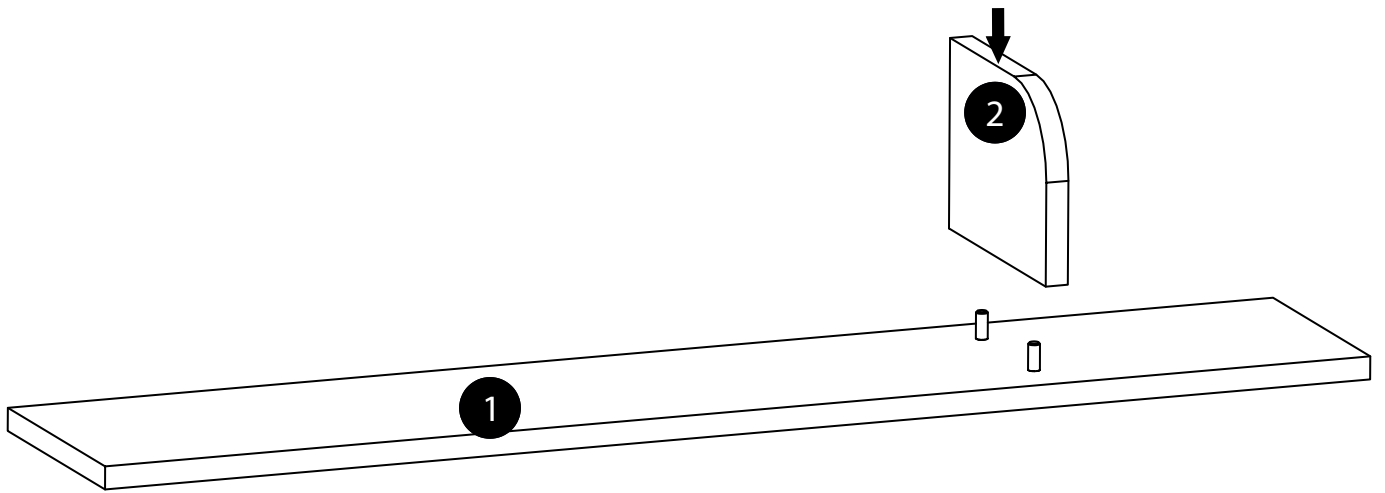
# IQ 15

			
①	916	179	1
②	132	178	1
③	918	150	1





**A ▶**



**B ▶**

