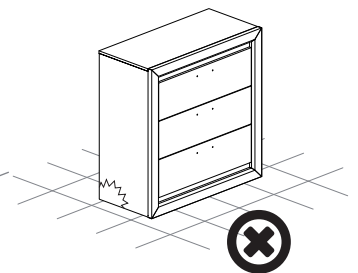
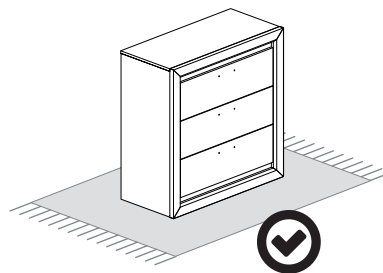
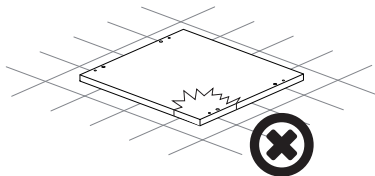
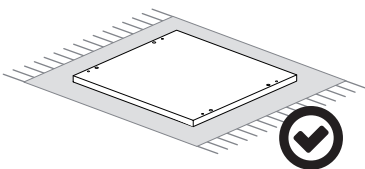
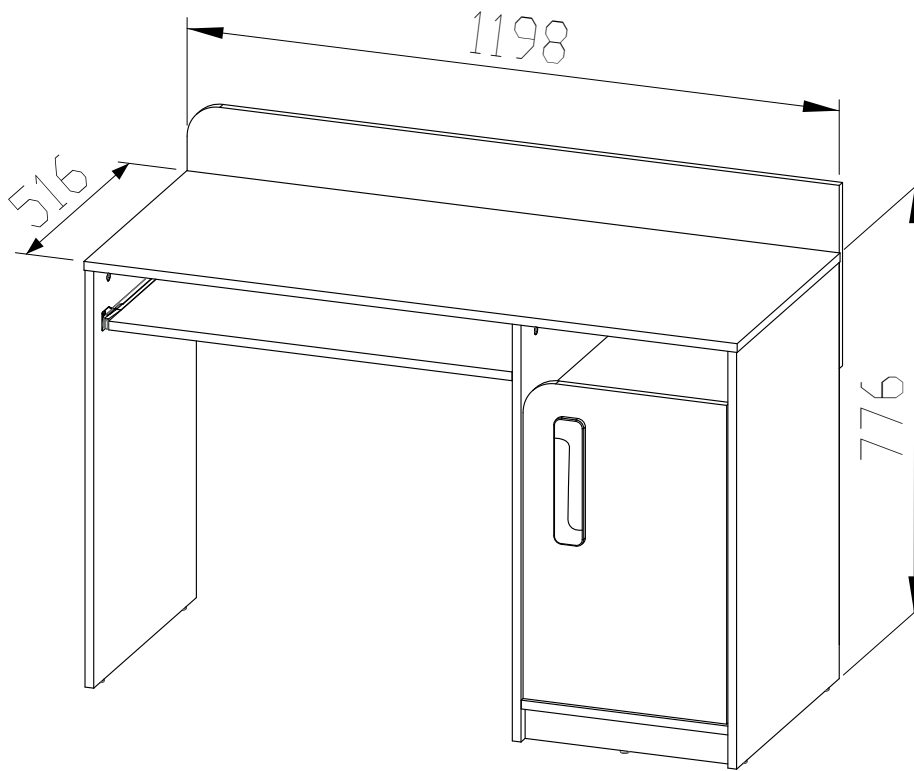
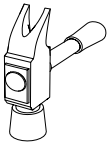
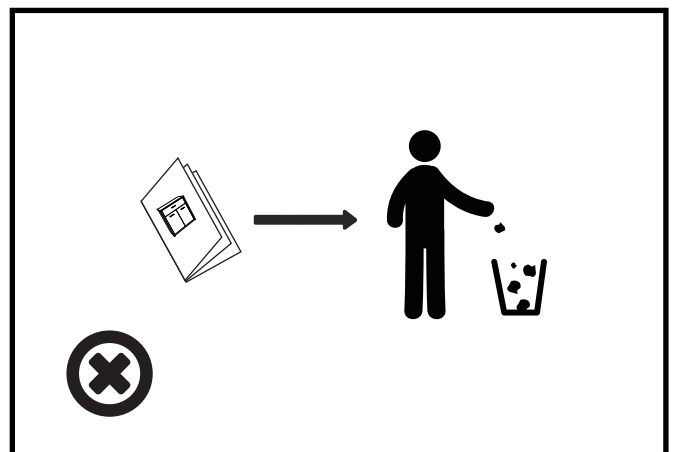
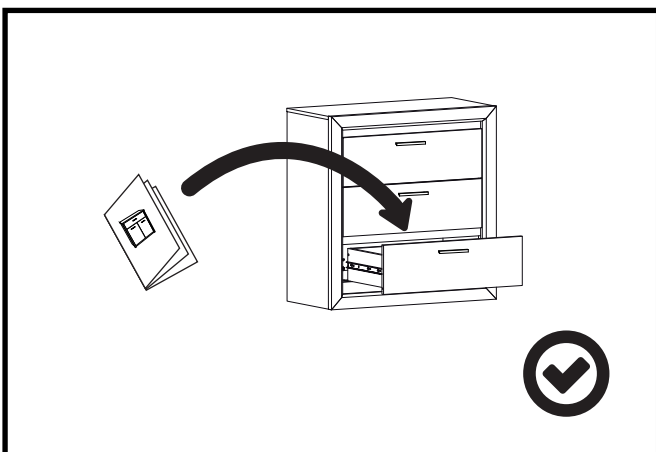
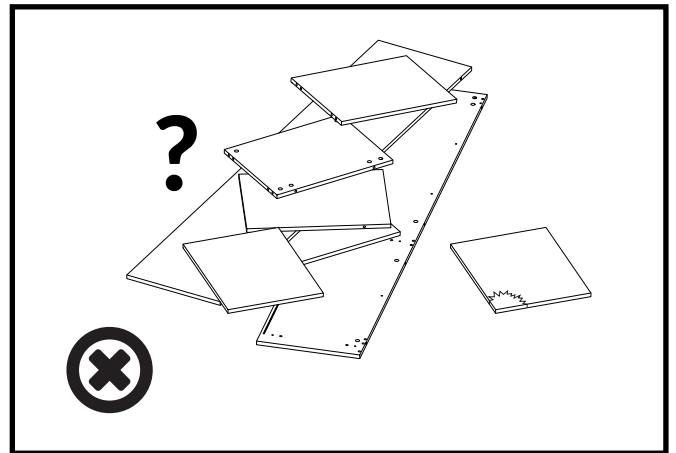
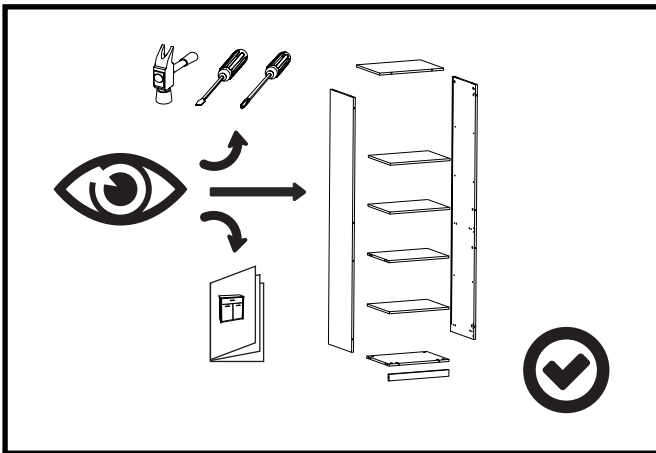
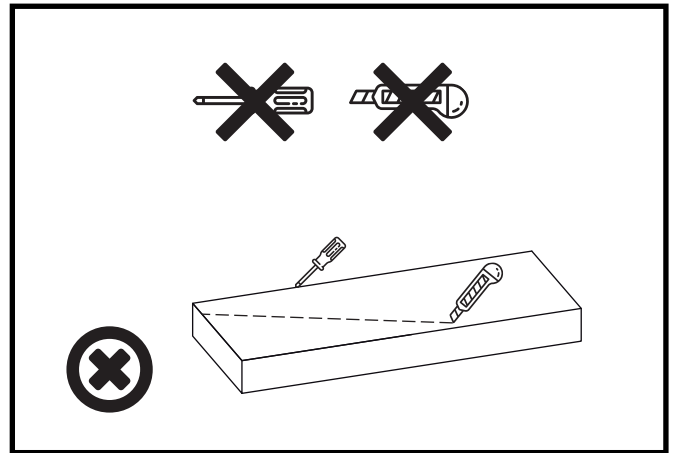
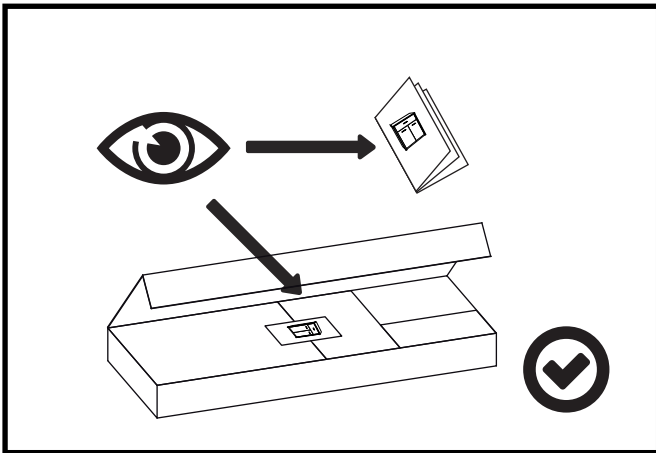
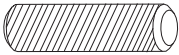

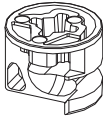
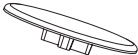
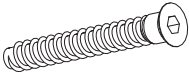

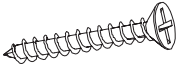

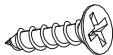
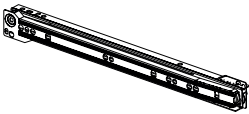

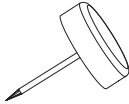

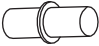

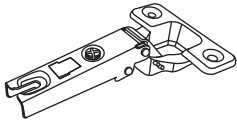
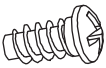


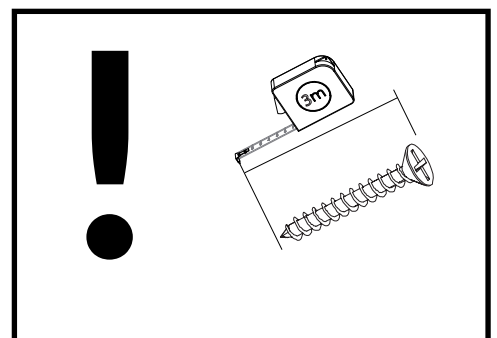
IQ 11



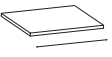
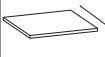
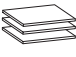


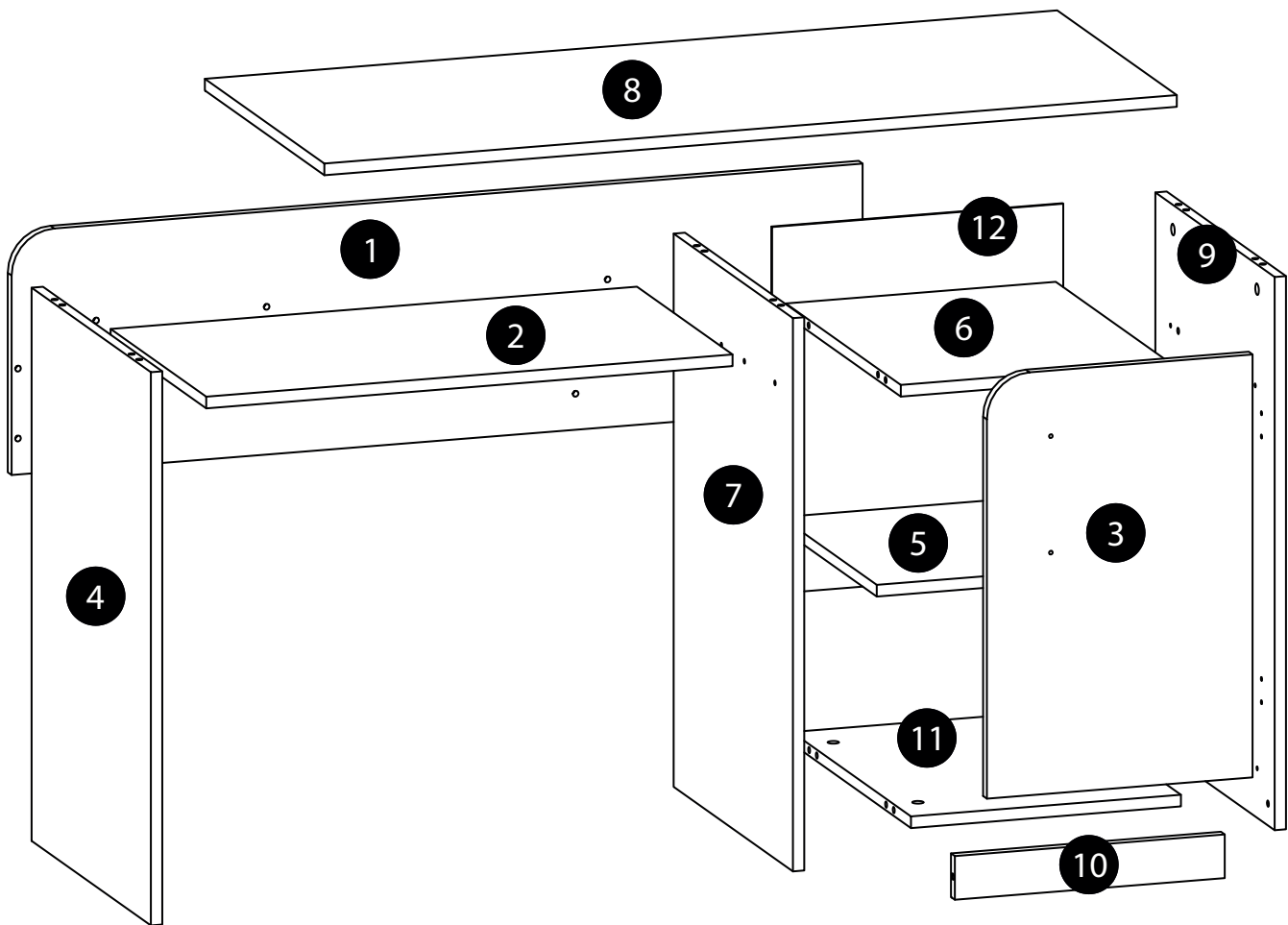
IQ 11

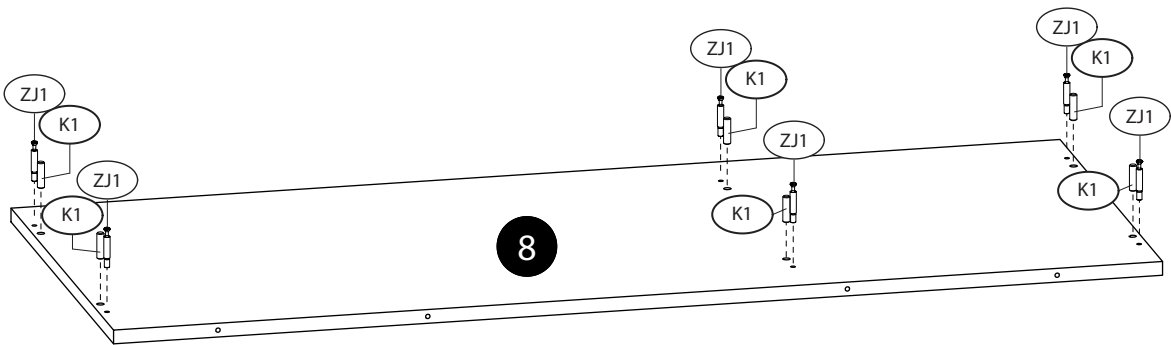
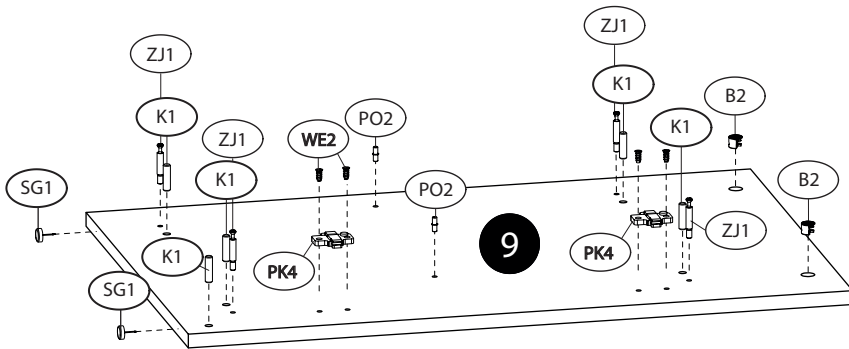
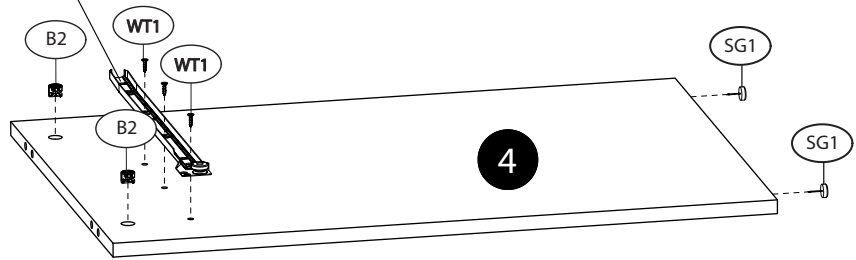
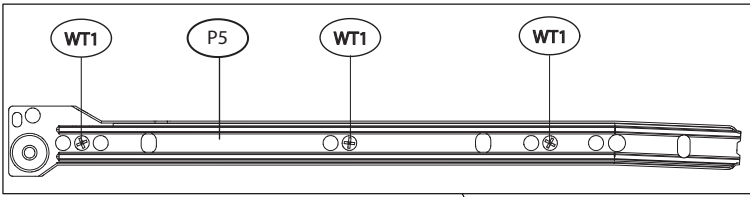
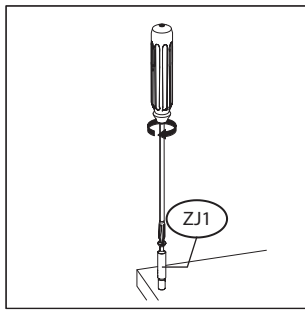
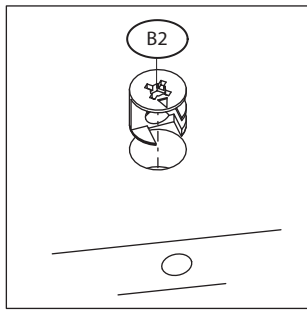
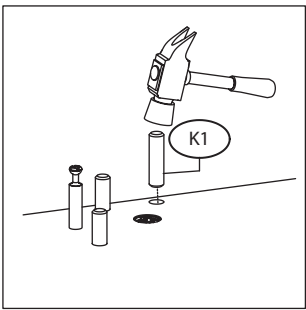
<p>K1 x 16</p> 	<p>GW1 x 15</p> 	<p>B2 x 14</p> 
<p>ZM1 x 6</p> 	<p>KT1 x 10 6,3x50</p> 	<p>ZJ1 x 14</p> 
<p>WT22 x 2 4x35</p> 	<p>x 1</p> 	<p>WT1 x 16 3,5x15</p> 
<p>P5 x 1</p> 	<p>UIQ x 1</p> 	<p>SG1 x 7</p> 
<p>KL x 1</p> 	<p>PO2 x 4</p> 	<p>PK4 x 2 H-4</p> 
<p>ZP9 x 2</p> 	<p>WE2 x 4 6,3x13B</p> 	

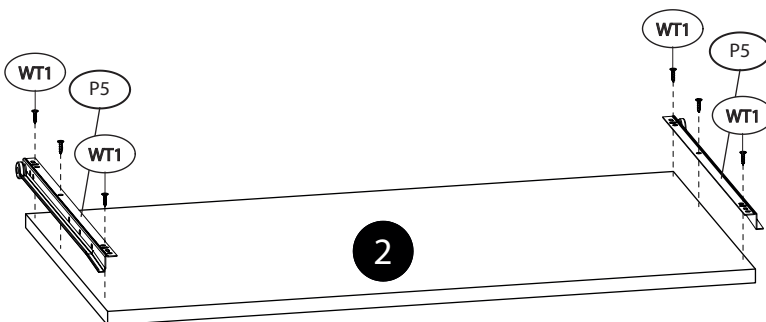
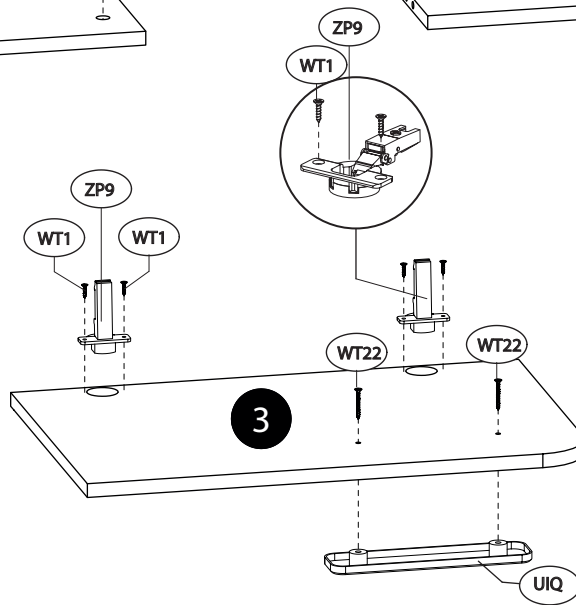
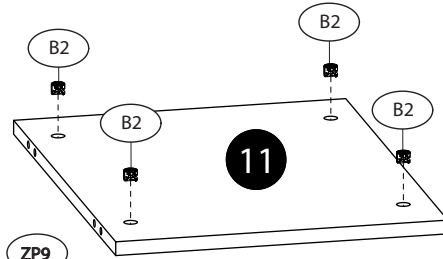
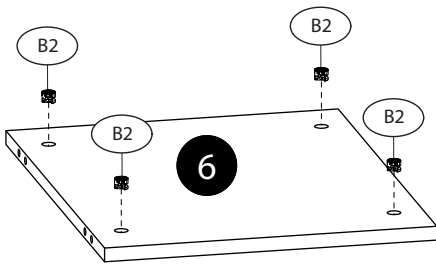
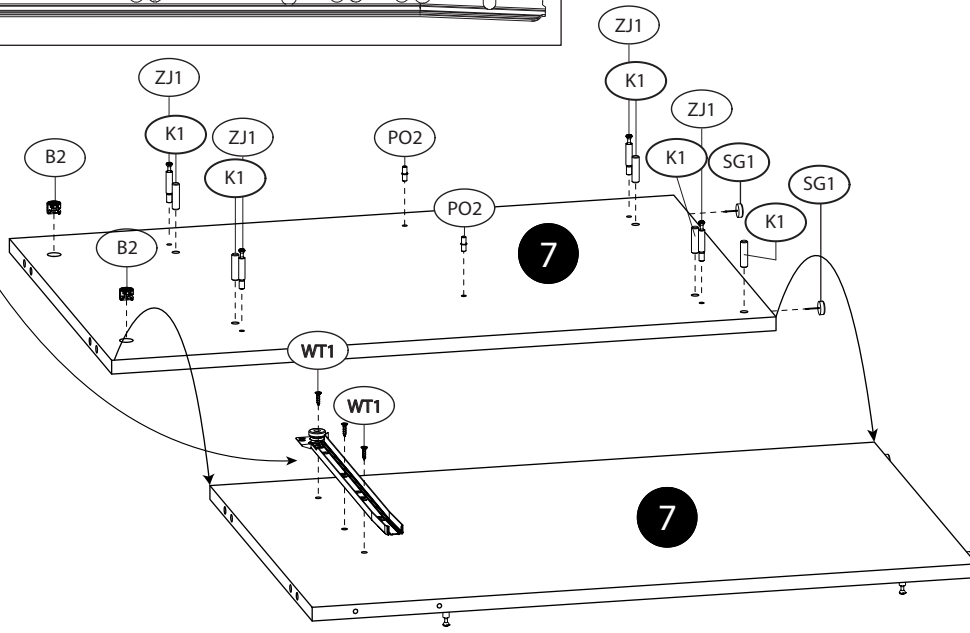
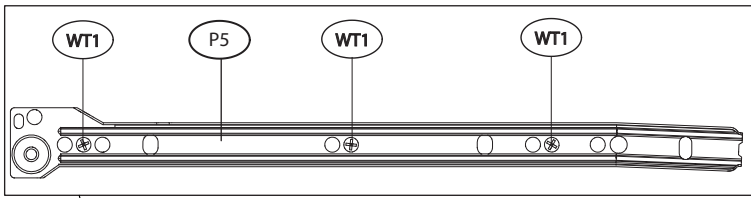


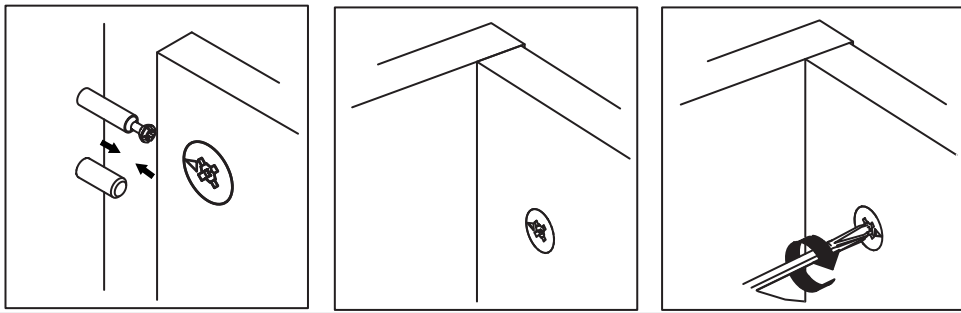
IQ 11

			
1	1200	334	1
2	741	400	1
3	374	581	1
4	760	499	1
5	379	400	1
6	380	481	1
7	760	499	1
8	1200	500	1
9	760	499	1
10	380	60	1
11	380	498	1
12	410	504	1

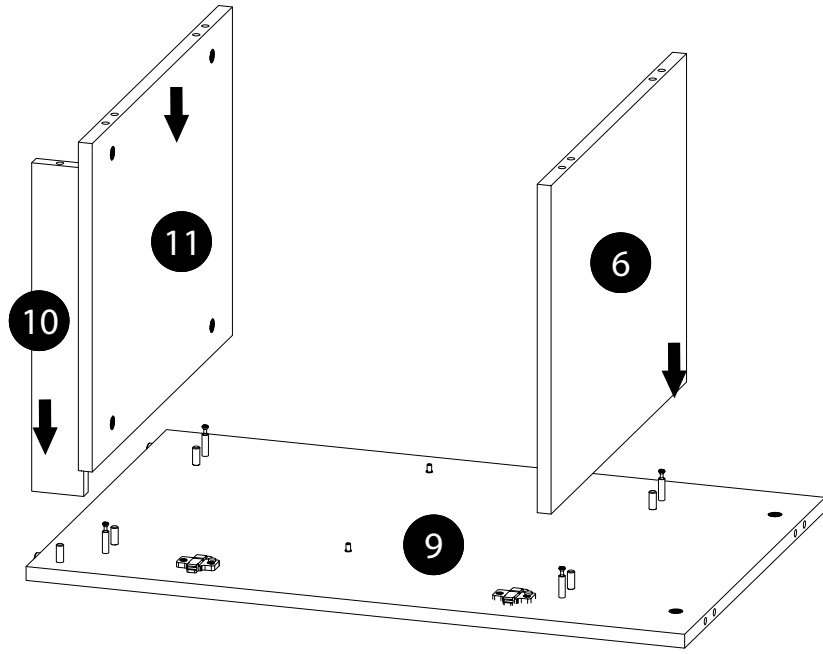




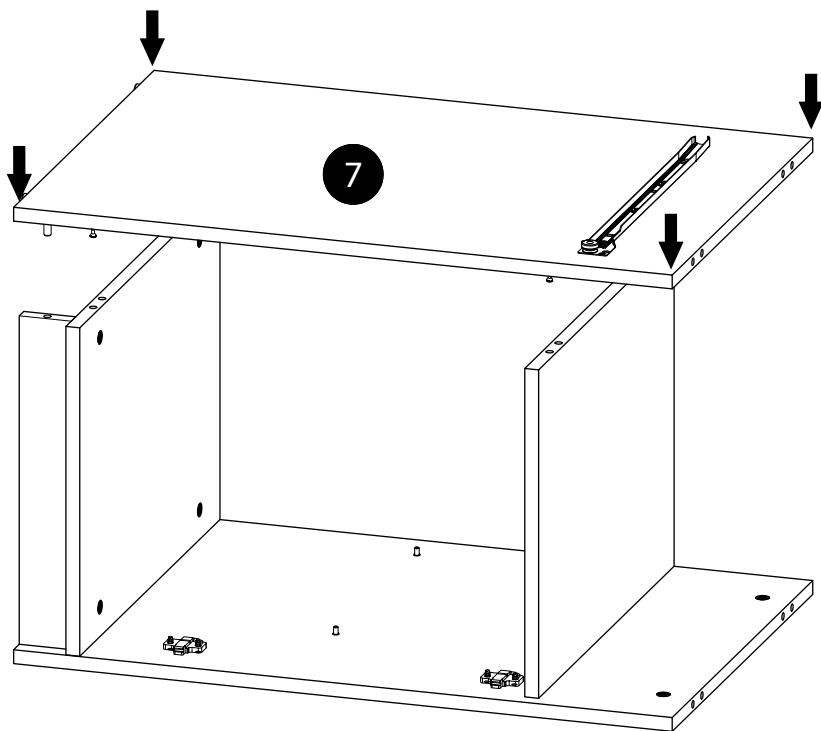


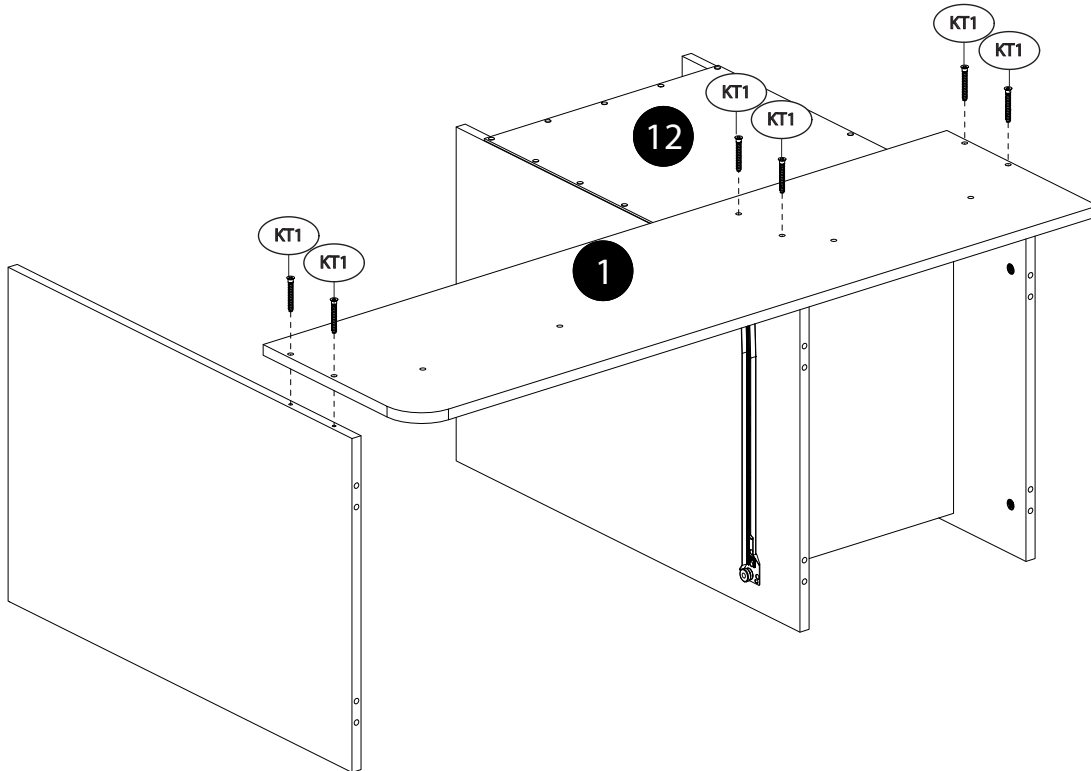
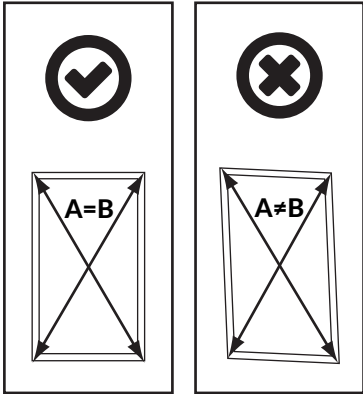
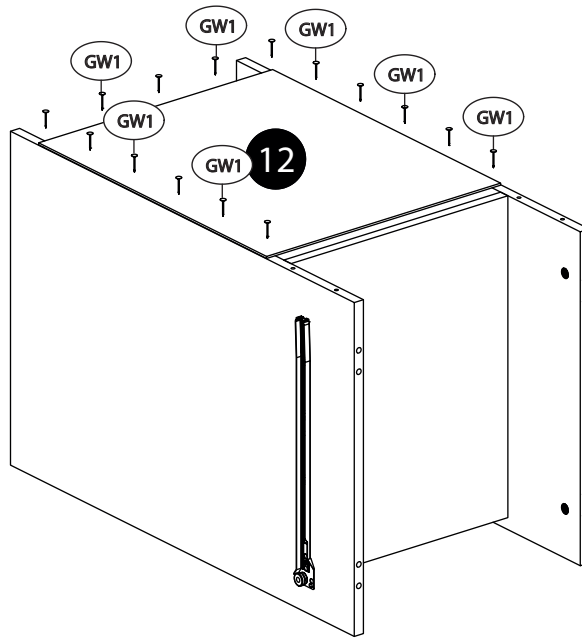


A ▶

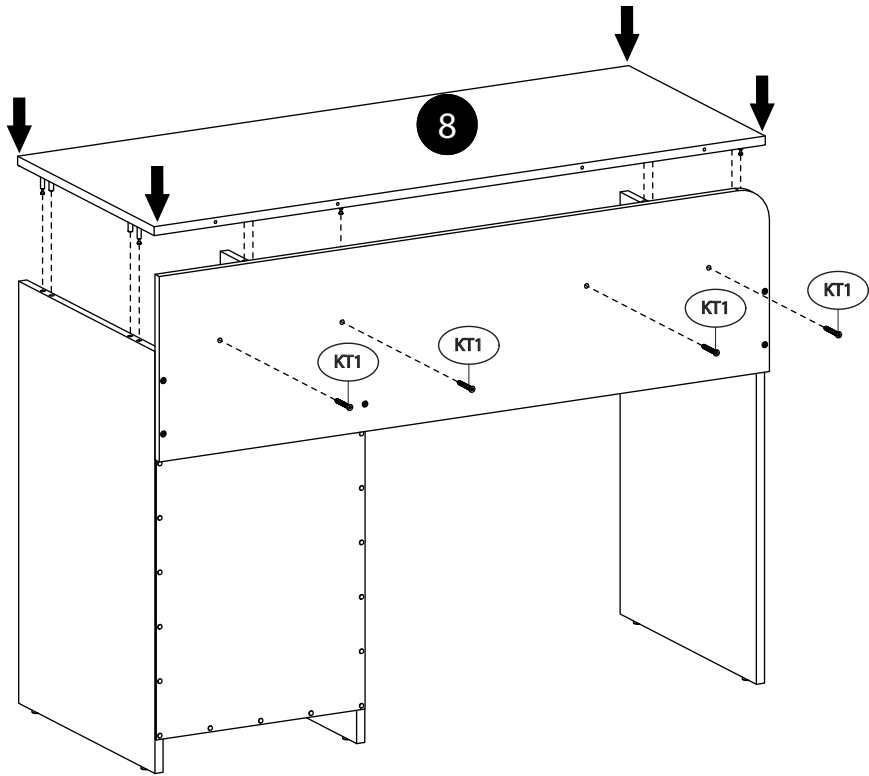


B ▶





E ▶



F ▶

