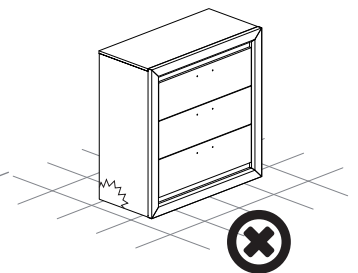
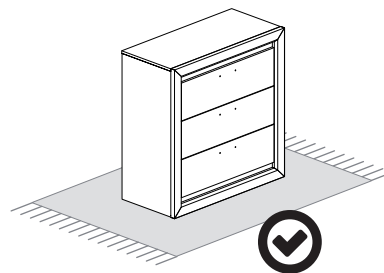
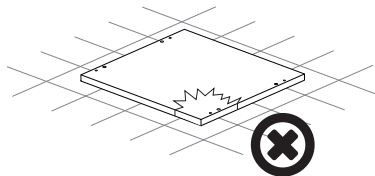
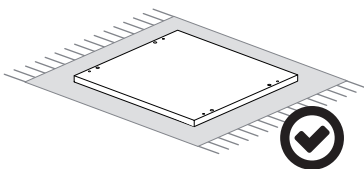
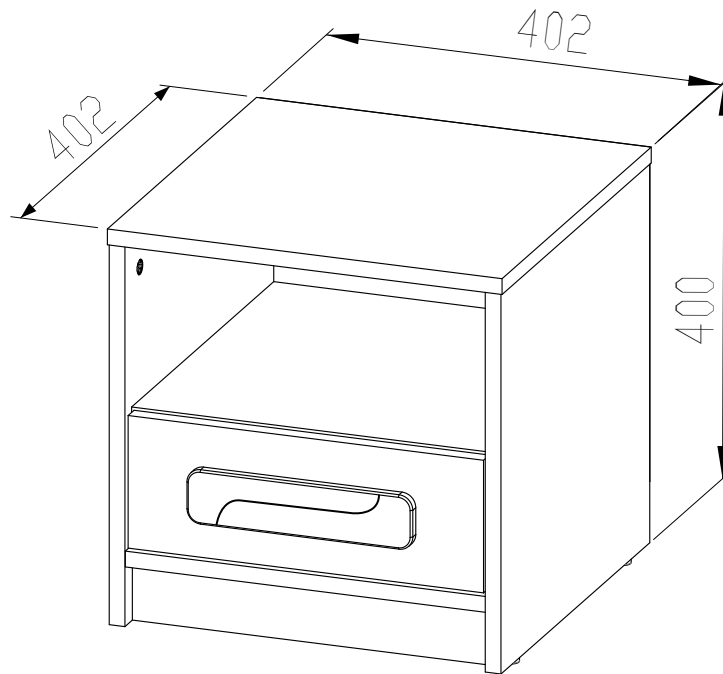
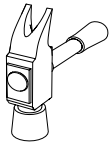
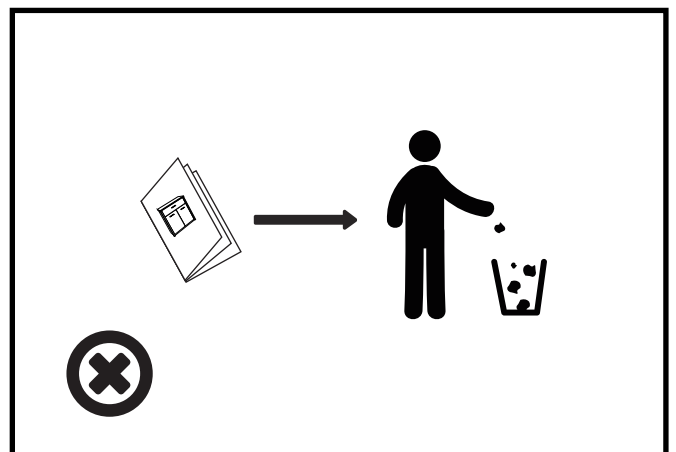
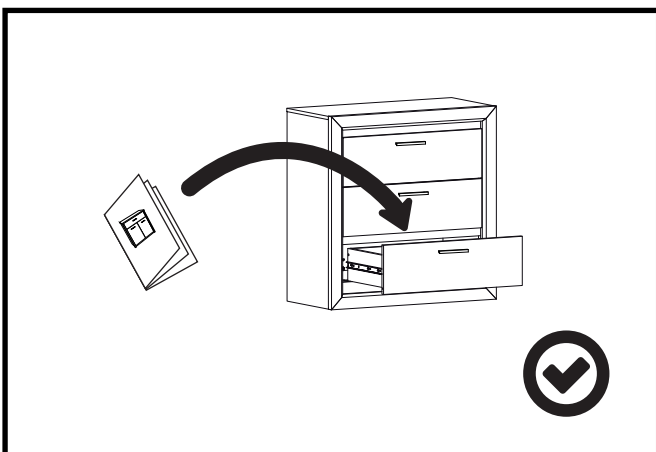
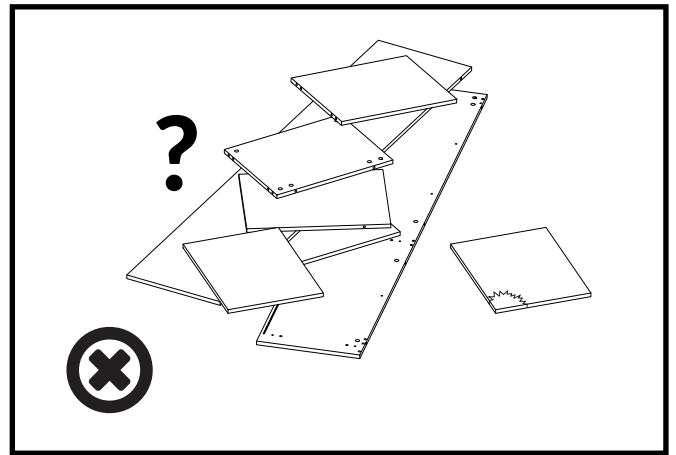
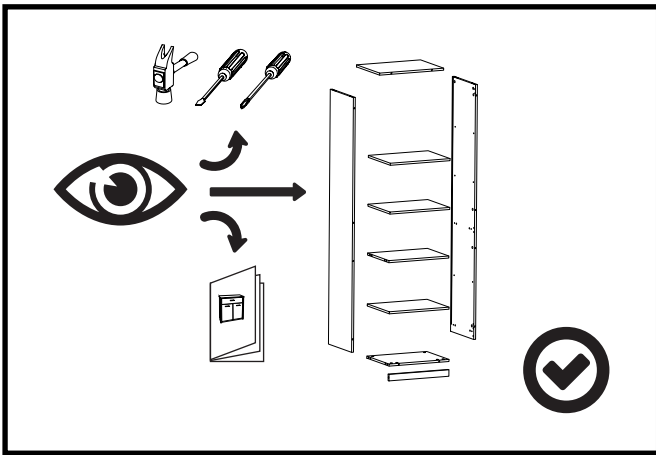
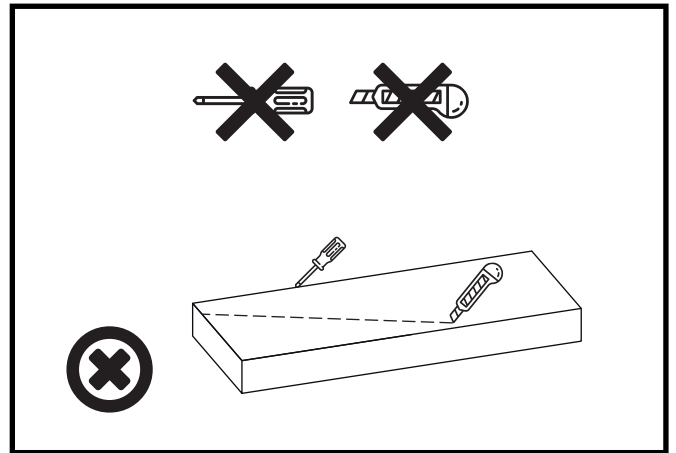
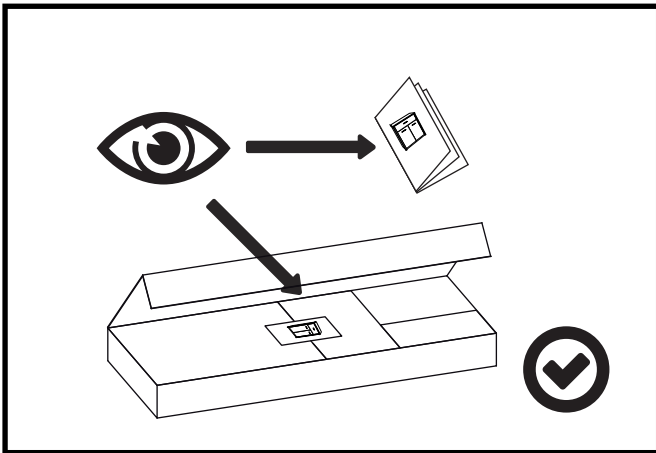
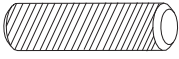

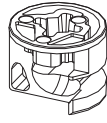
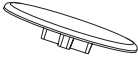
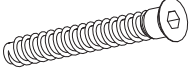

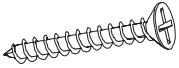

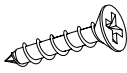
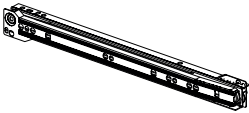

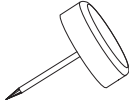
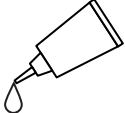

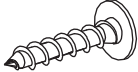


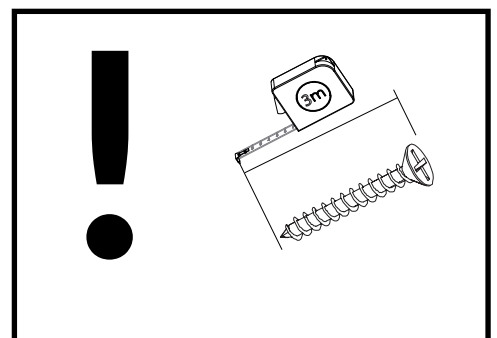
# IQ 13



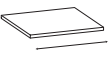

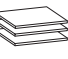


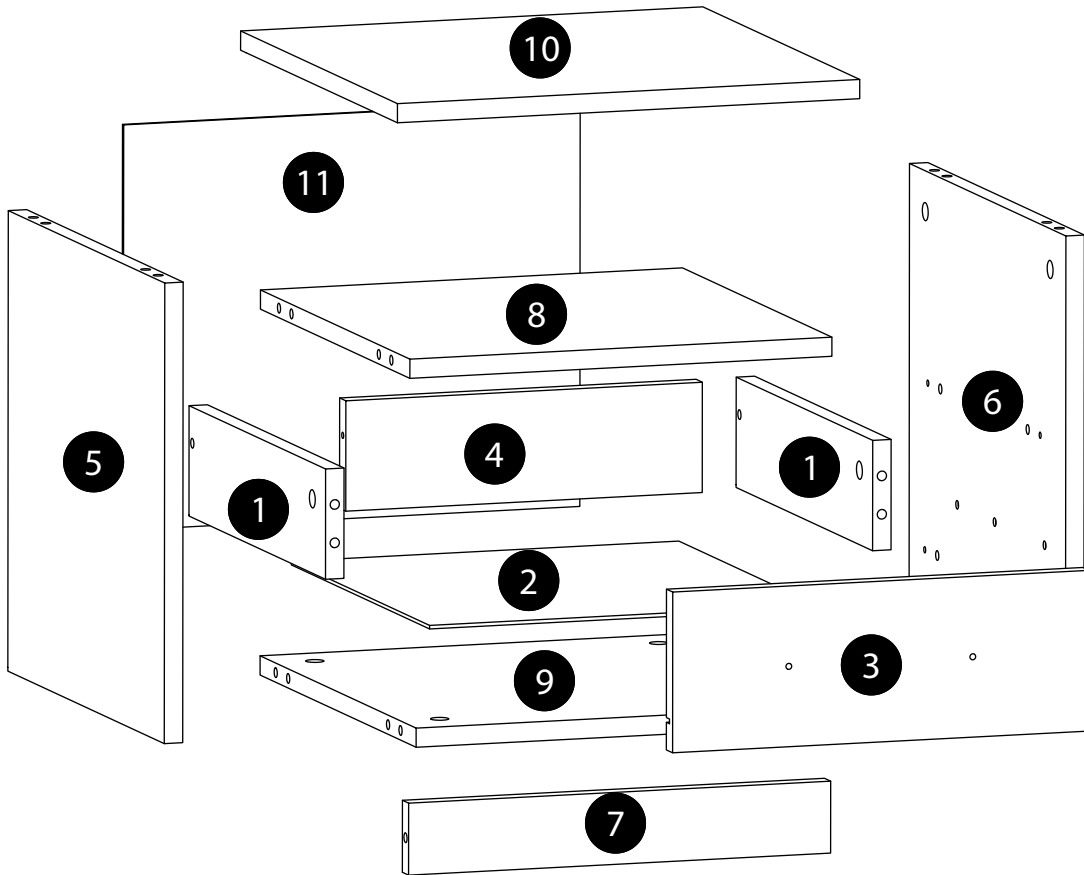
# IQ 13

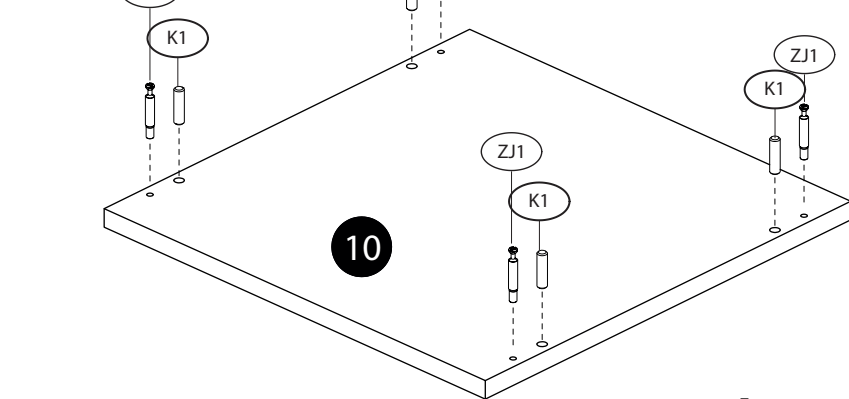
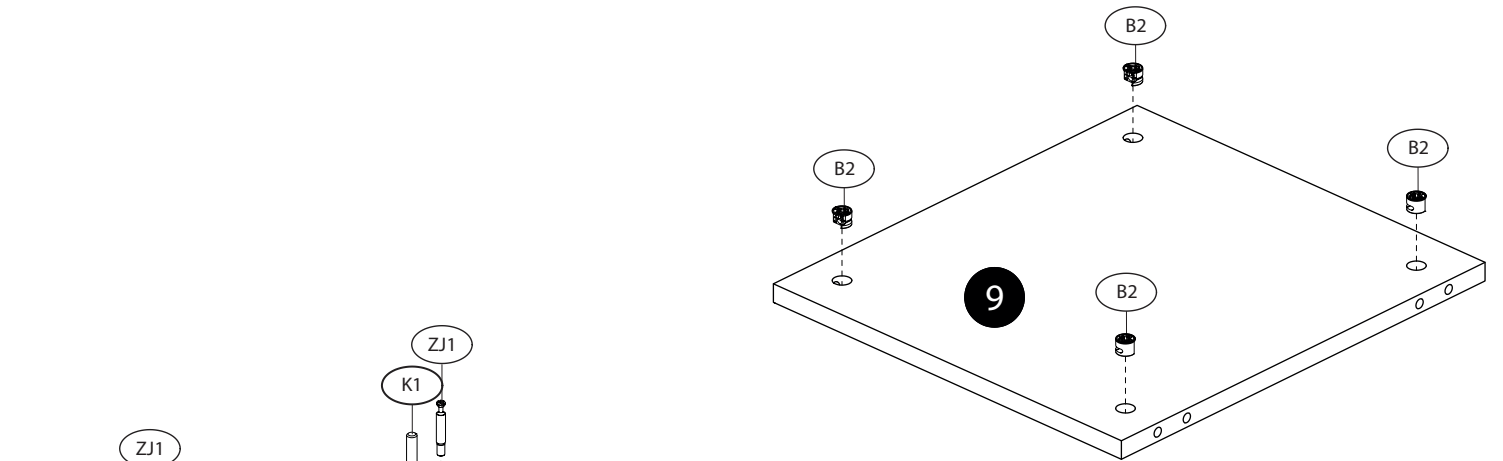
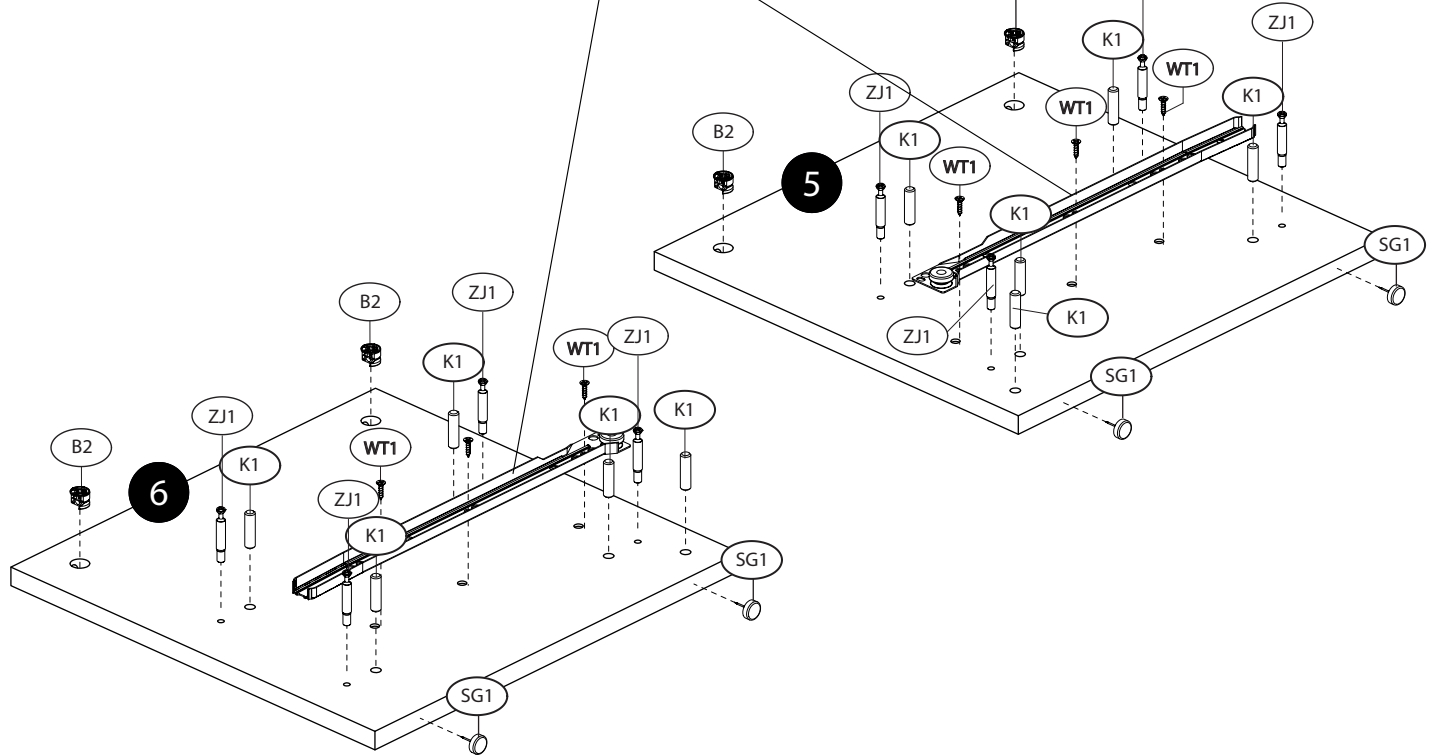
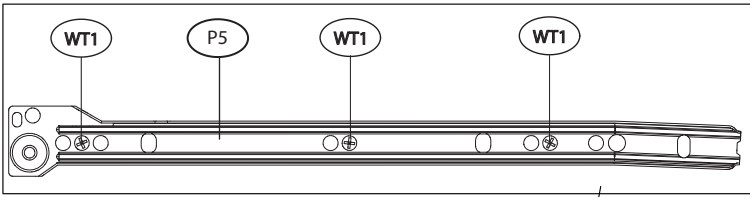
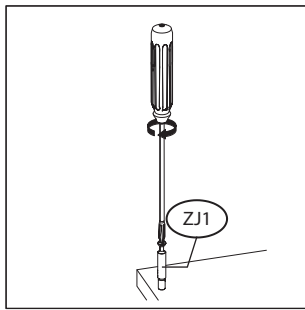
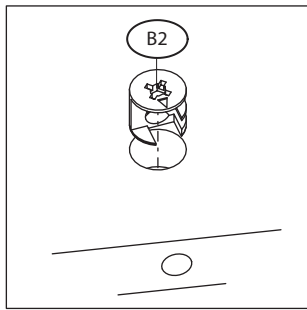
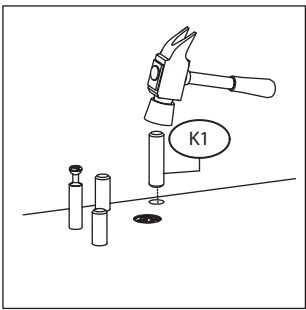
<b>K1</b> x 16 	<b>GW1</b> x 16 	<b>B2</b> x 14 
<b>ZM1</b> x 6 	<b>KT1</b> x 2 6,3x50 	<b>ZJ1</b> x 14 
<b>WT22</b> x 2 4x35 	x 1 	<b>WT35</b> x 12 3x20 
<b>P5</b> x 1 	<b>UIQ</b> x 1 	<b>SG1</b> x 4 
<b>KL</b> x 1 	<b>SP</b> x 1 	<b>WT9</b> x 4 

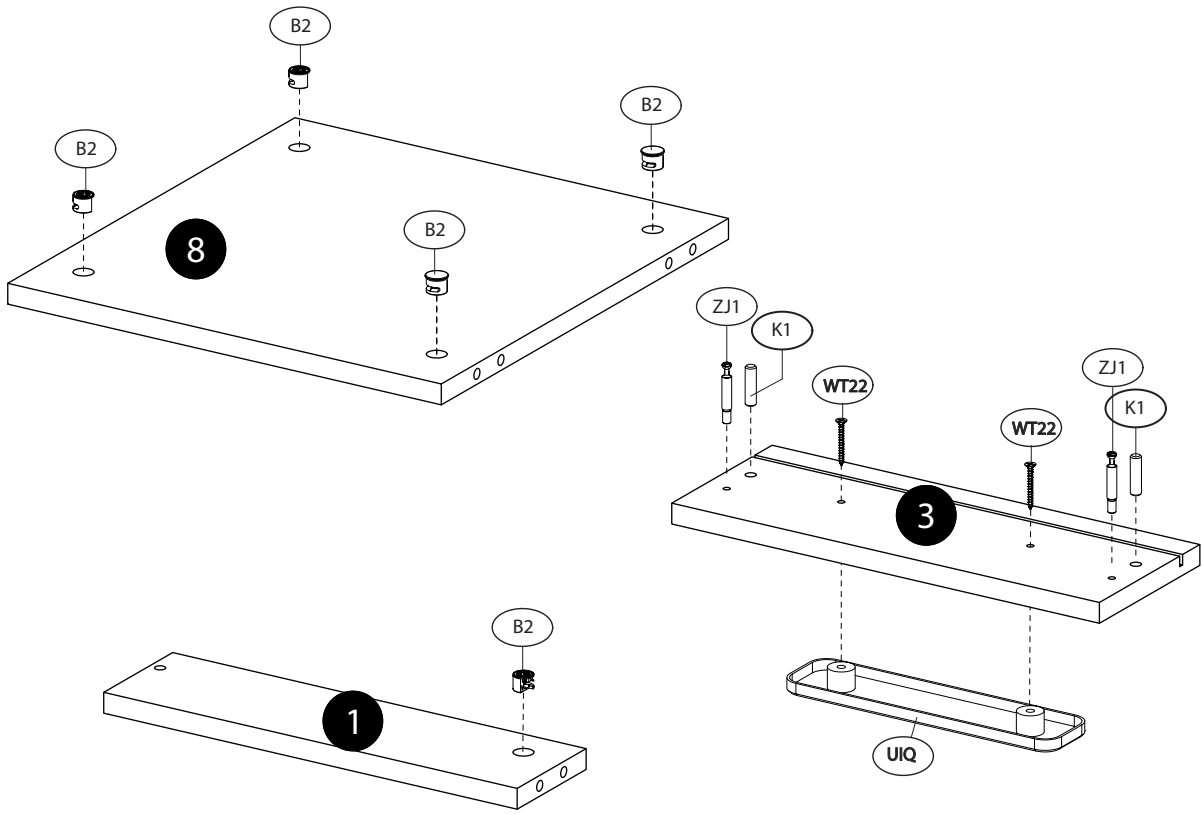


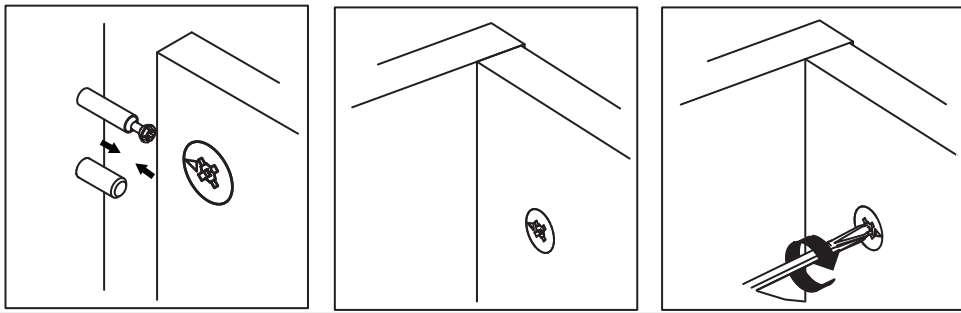
# IQ 13

			
1	92	350	2
2	337	354,50	1
3	362	134	1
4	310	92	1
5	384	401	1
6	384	401	1
7	367	60	1
8	367	383	1
9	367	400	1
10	402	402	1
11	397	338	1

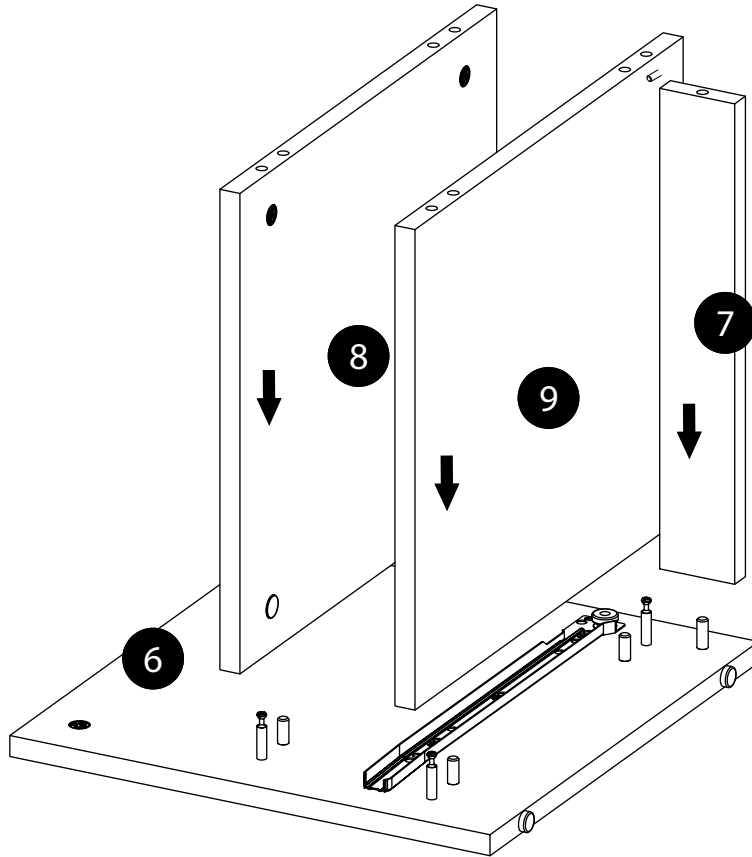








**A ▶**



**B ▶**

