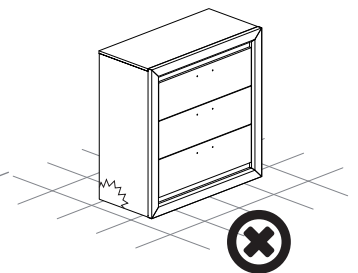
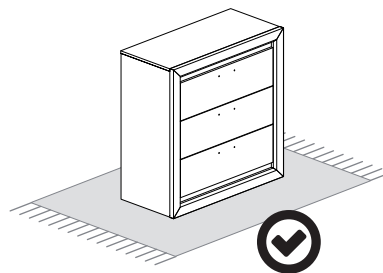
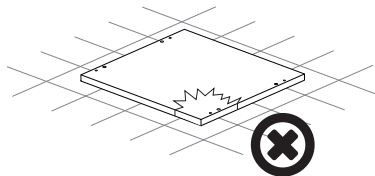
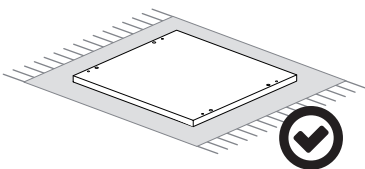
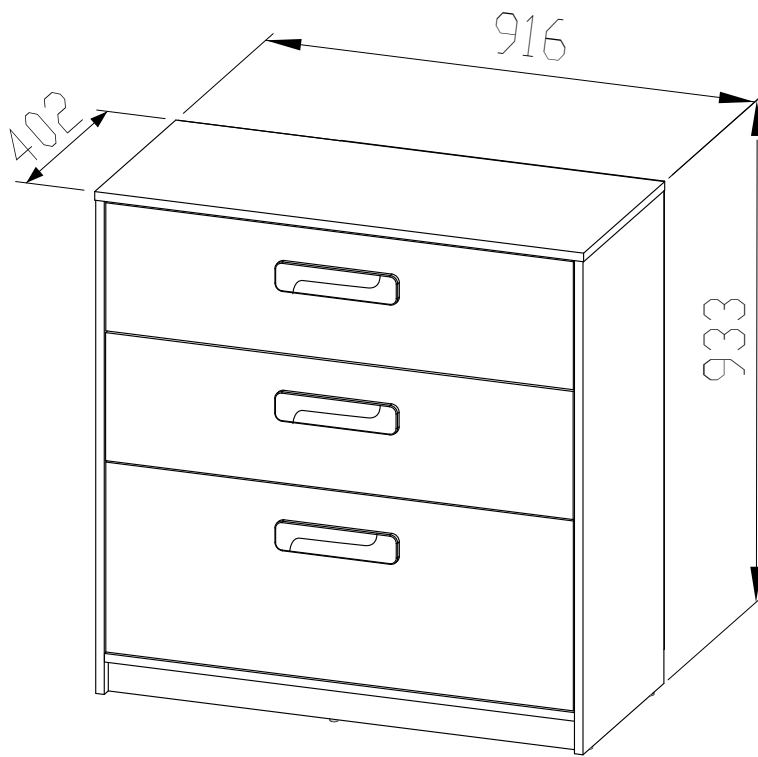
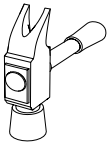
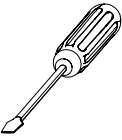
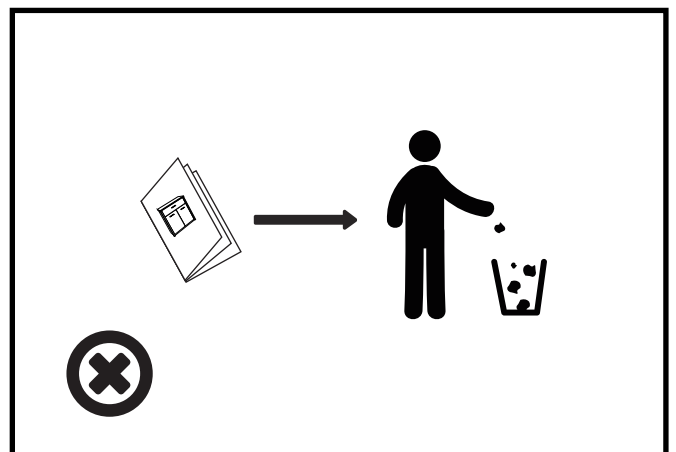
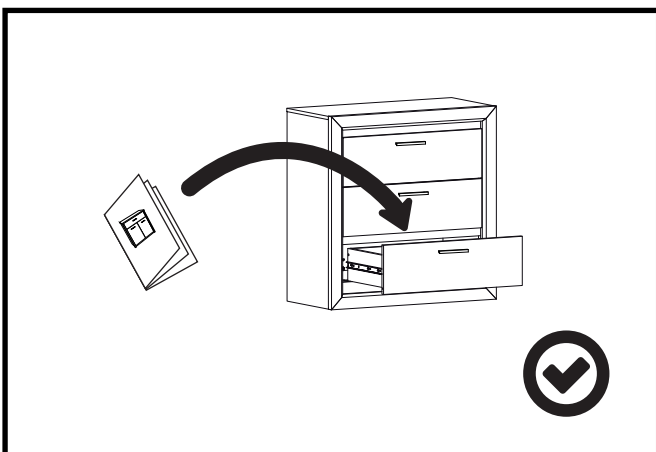
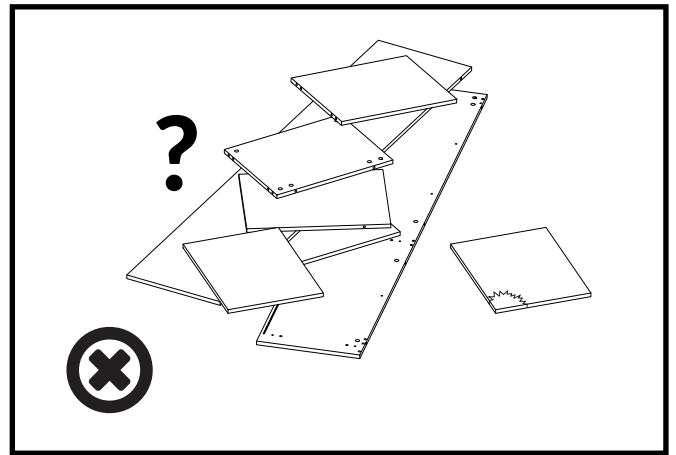
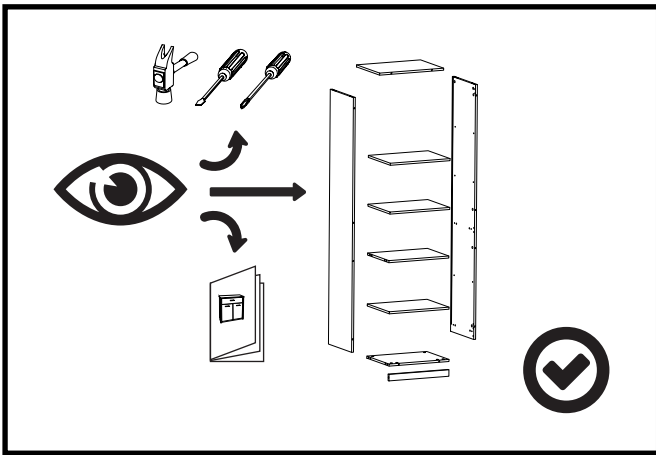
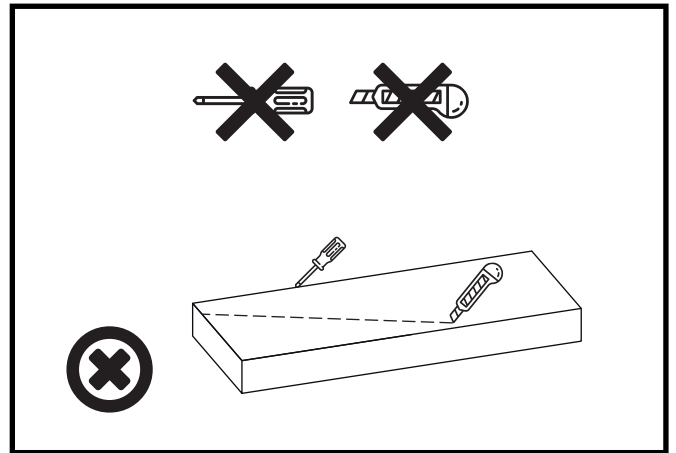
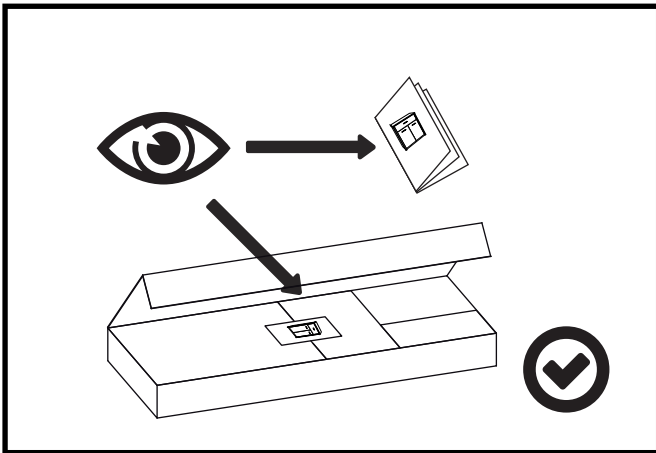
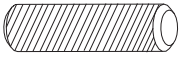

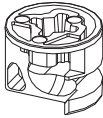
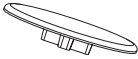
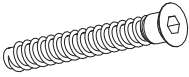

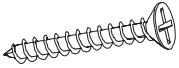

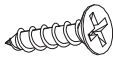
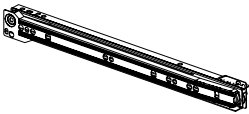

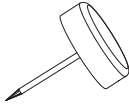

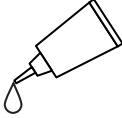
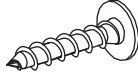
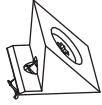
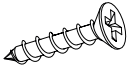


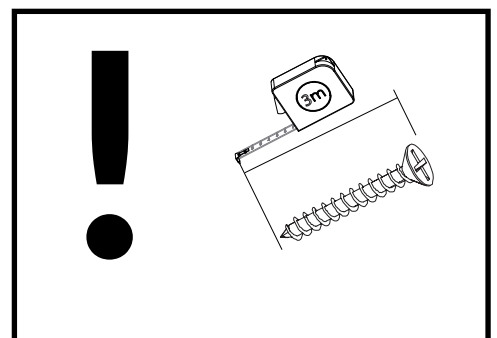
IQ 10





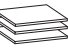


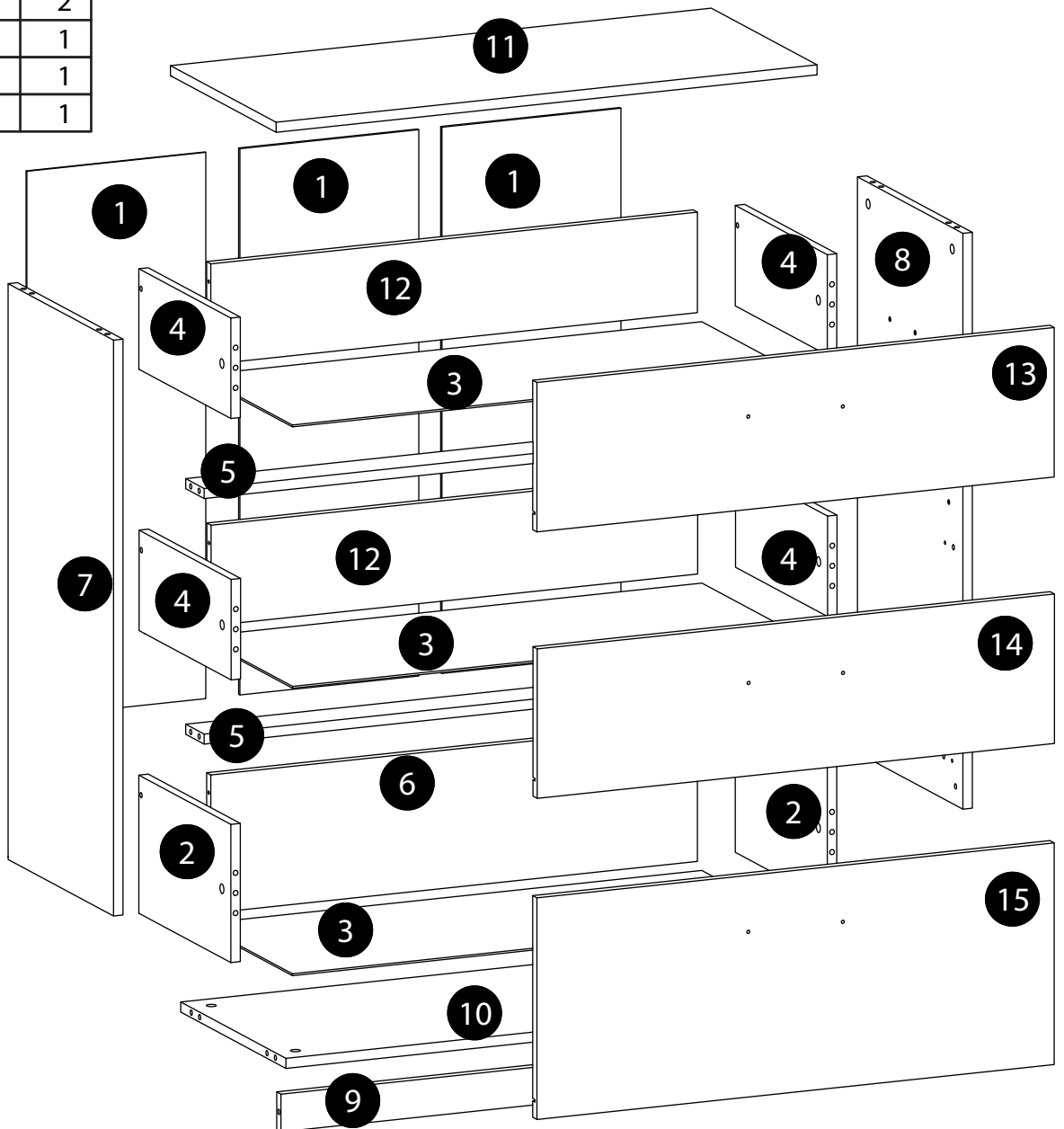
IQ 10

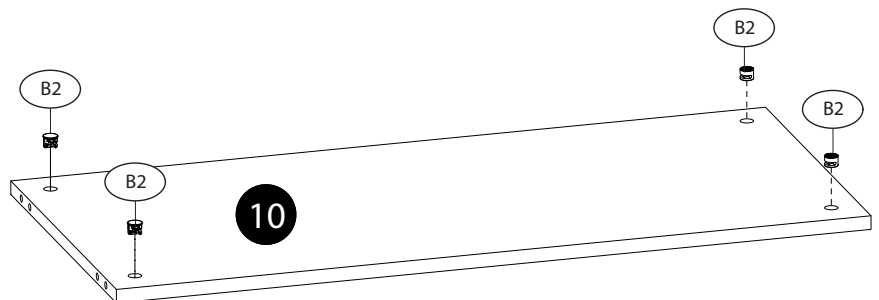
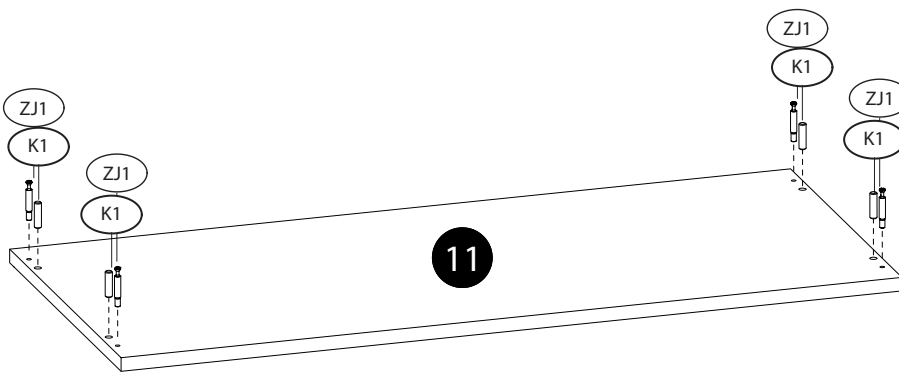
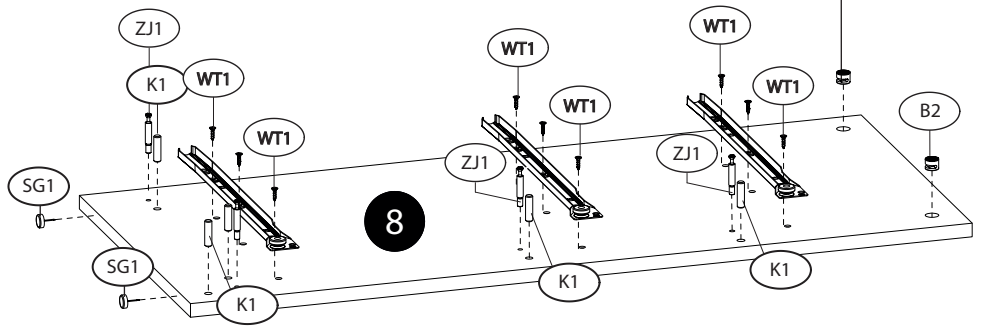
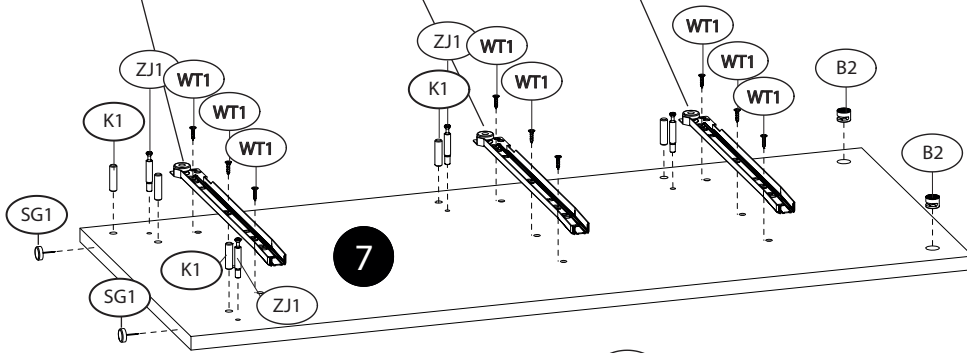
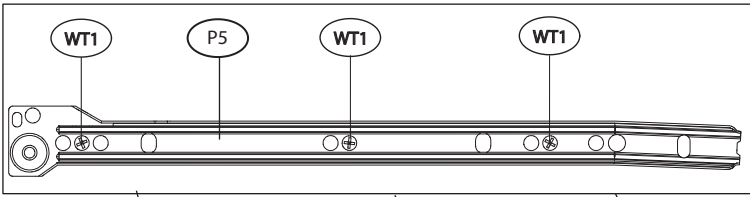
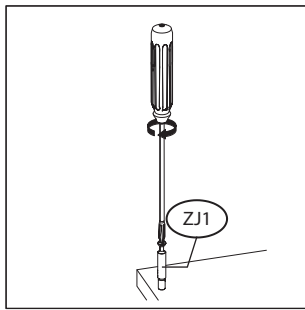
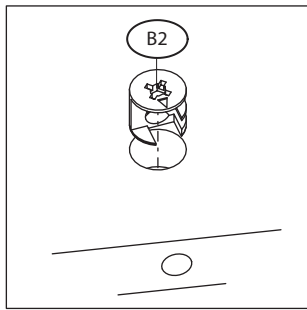
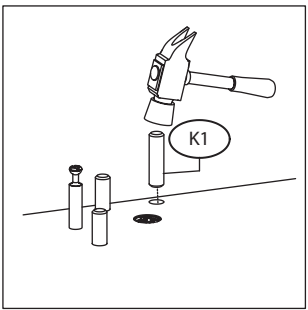
<p>K1 x 26</p> 	<p>GW1 x 30</p> 	<p>B2 x 18</p> 
<p>ZM1 x 6</p> 	<p>KT1 x 8 6,3x50</p> 	<p>ZJ1 x 18</p> 
<p>WT22 x 6 4x35</p> 	<p>x 1</p> 	<p>WT1 x 24 3,5x15</p> 
<p>P5 x 3</p> 	<p>UIQ x 3</p> 	<p>SG1 x 5</p> 
<p>WS1 x 1</p> 	<p>KL x 1</p> 	<p>WT9 x 24 3x16</p> 
<p>SP x 3</p> 	<p>WT35 x 18 3x20</p> 	

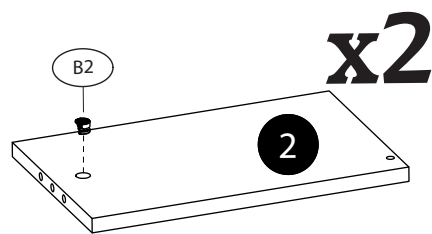
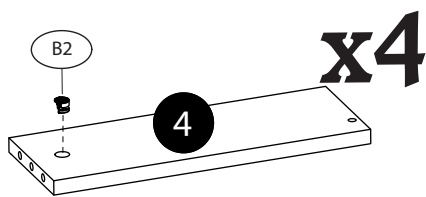
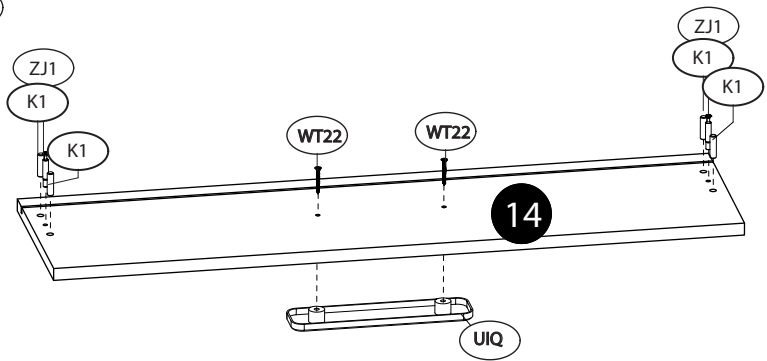
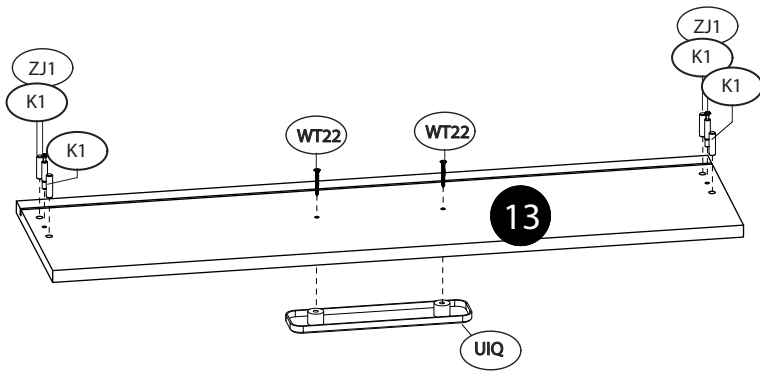
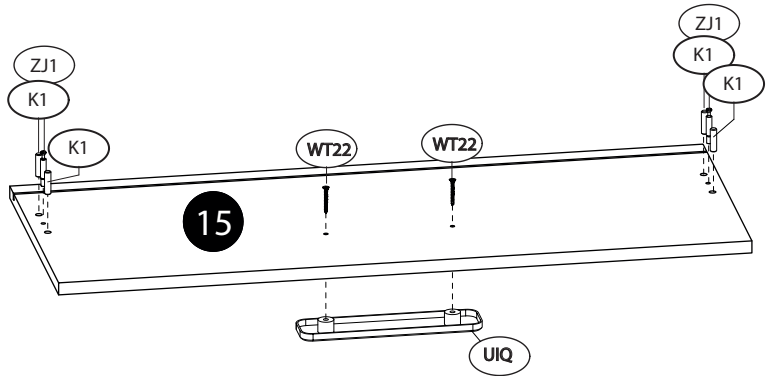
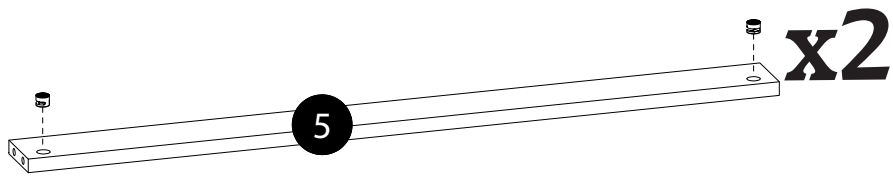


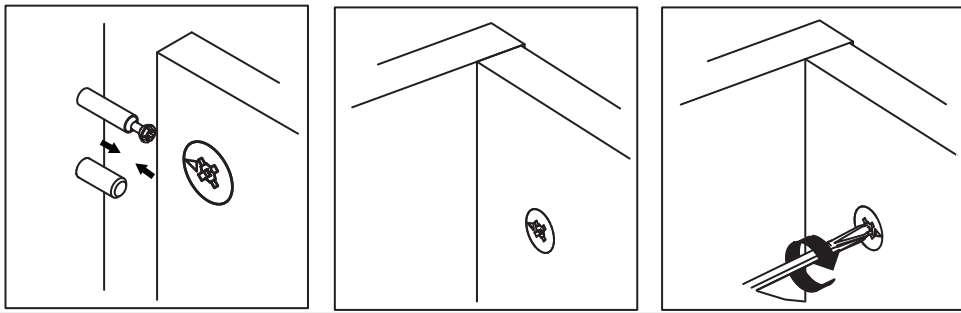
IQ 10

			
1	302	868	3
2	220	350	2
3	851	355	3
4	160	350	4
5	881	70	2
6	824	220	1
7	917	401	1
8	917	401	1
9	881	60	1
10	881	400	1
11	916	402	1
12	824	160	2
13	876	238	1
14	876	238	1
15	876	353	1

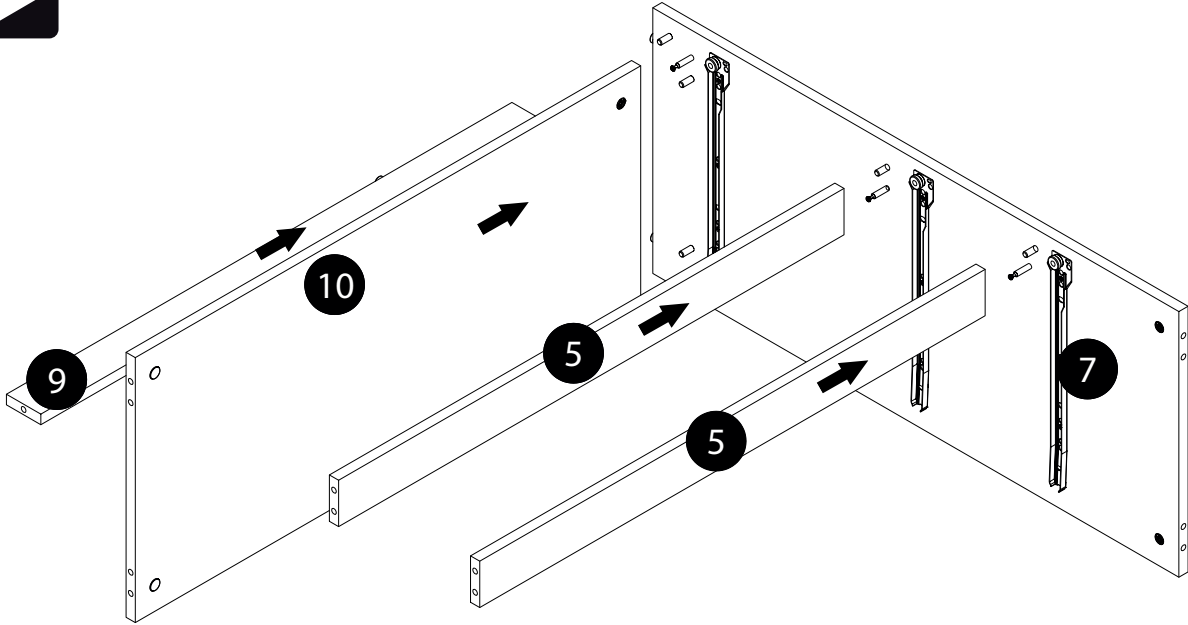




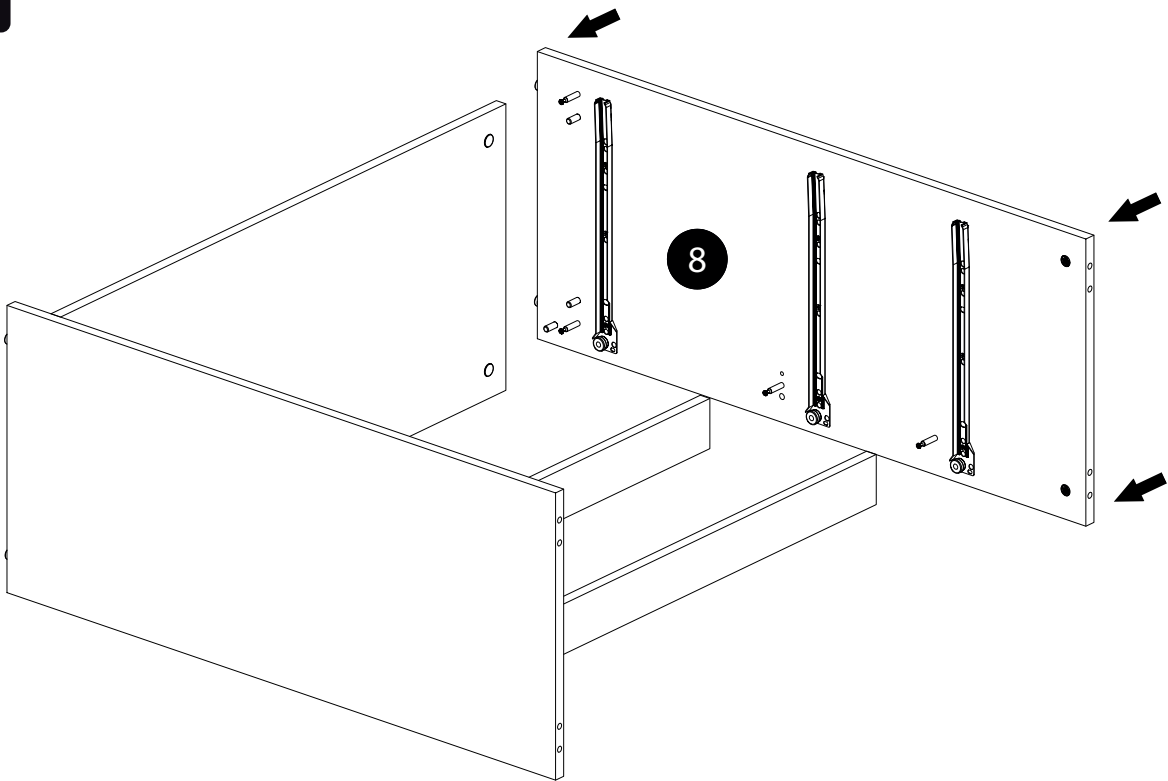


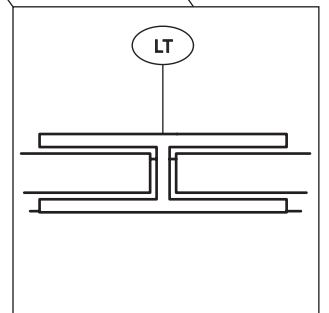
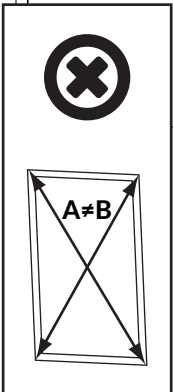
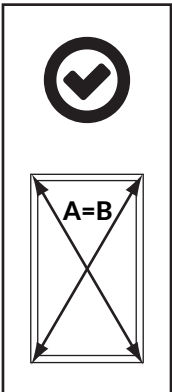
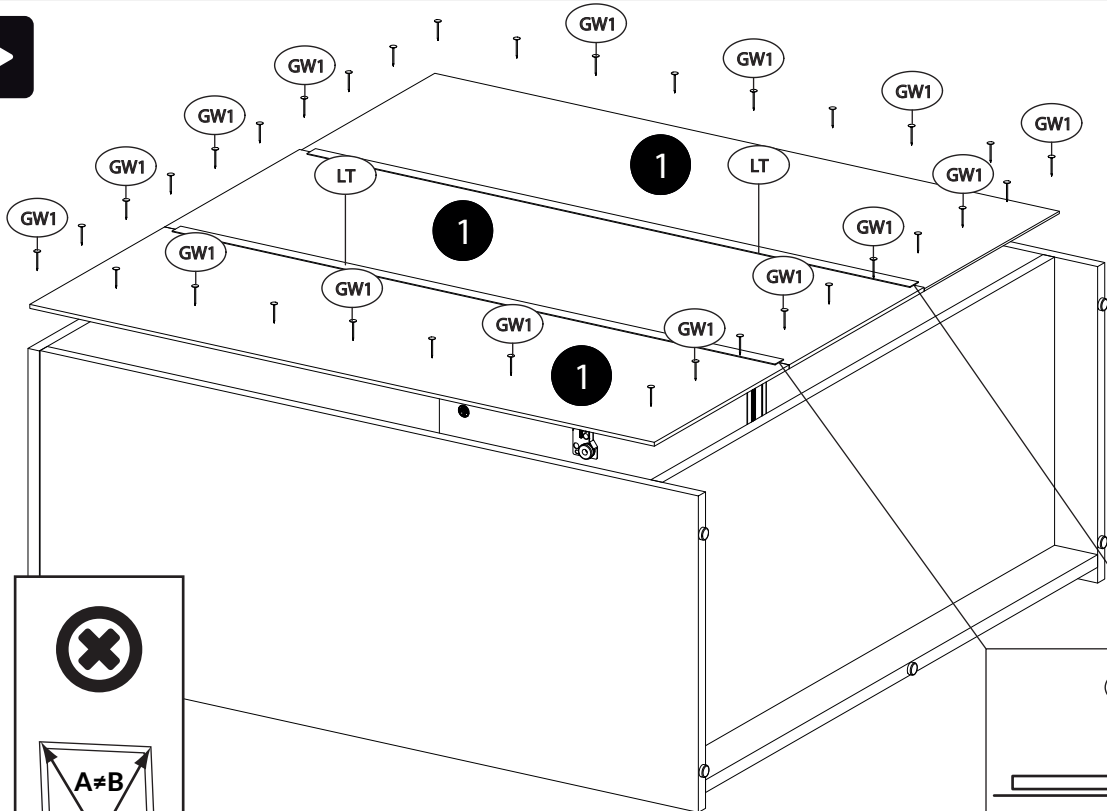
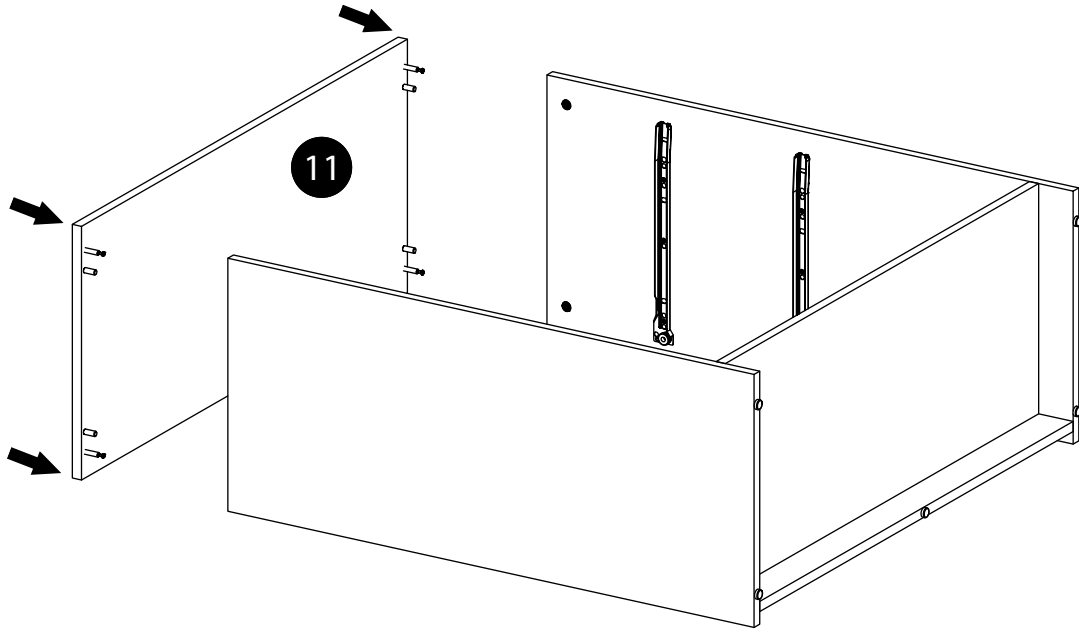


A ▶



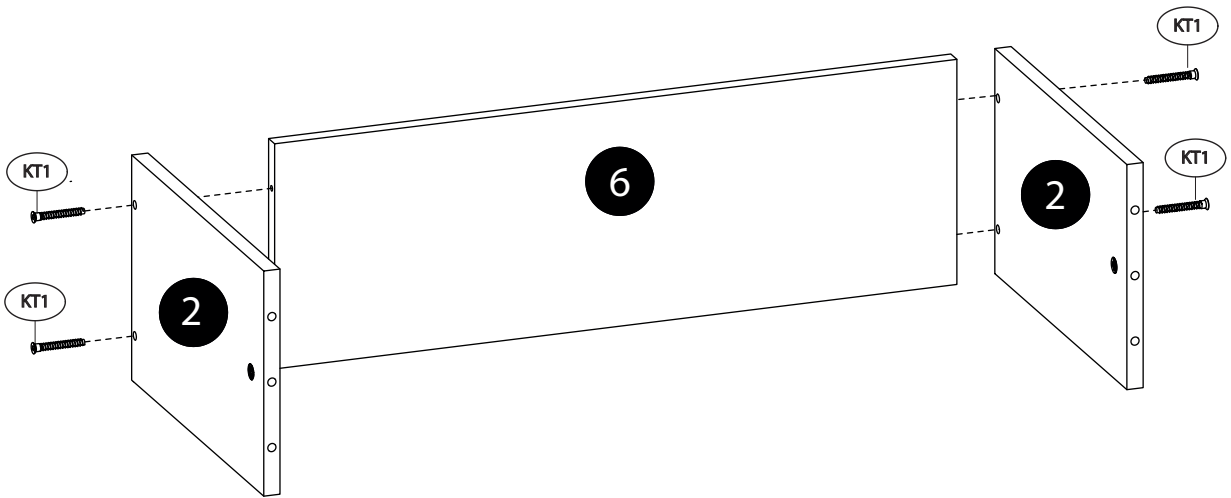
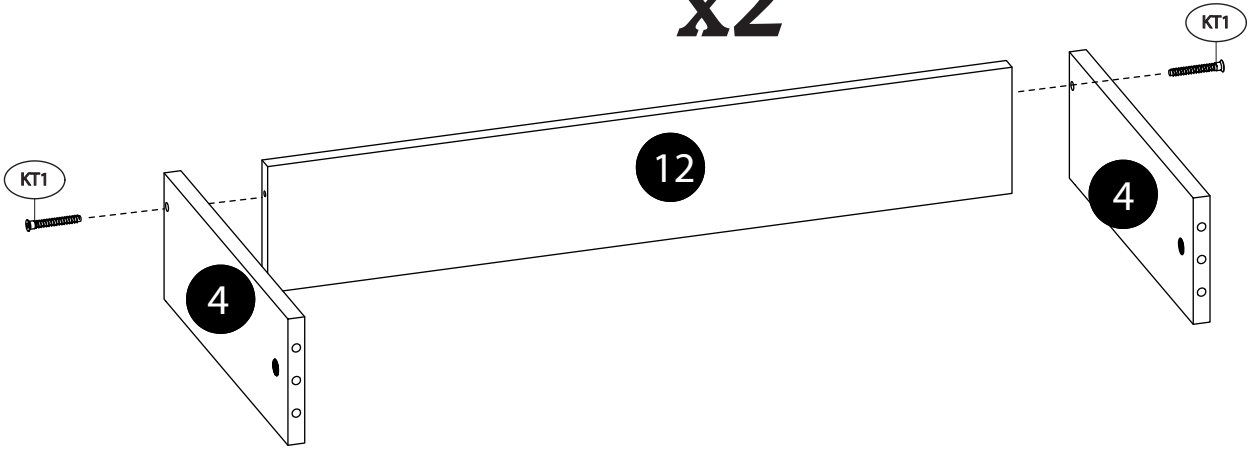
B ▶

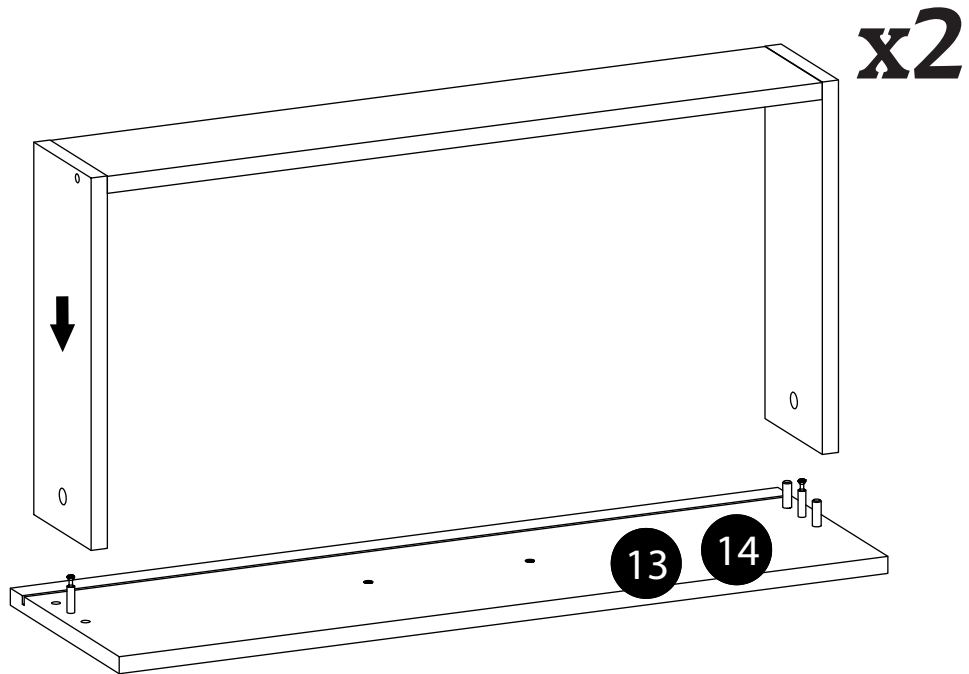
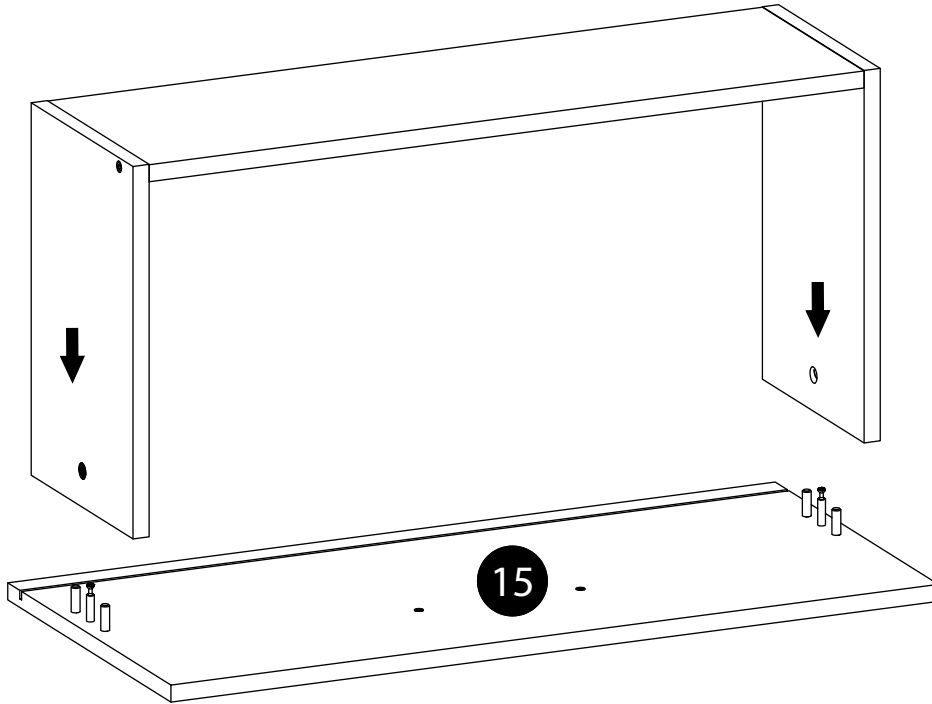






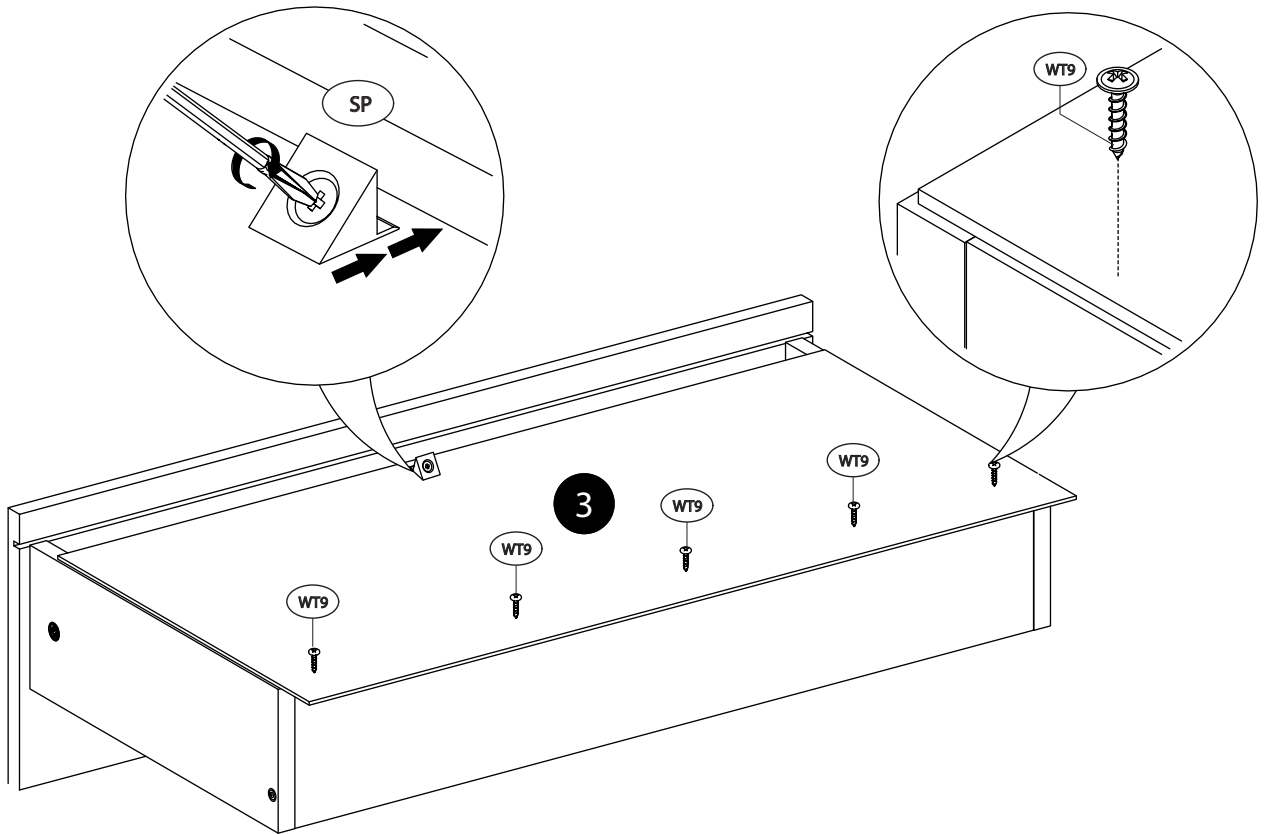
x2







x3



x3

