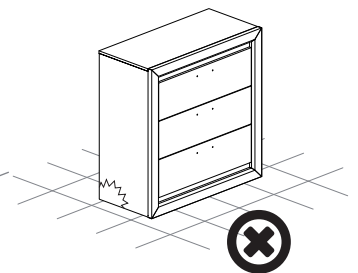
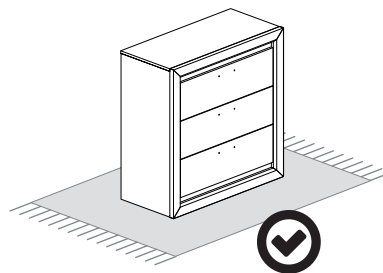
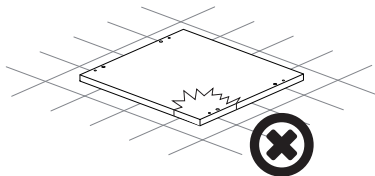
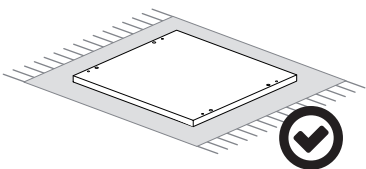
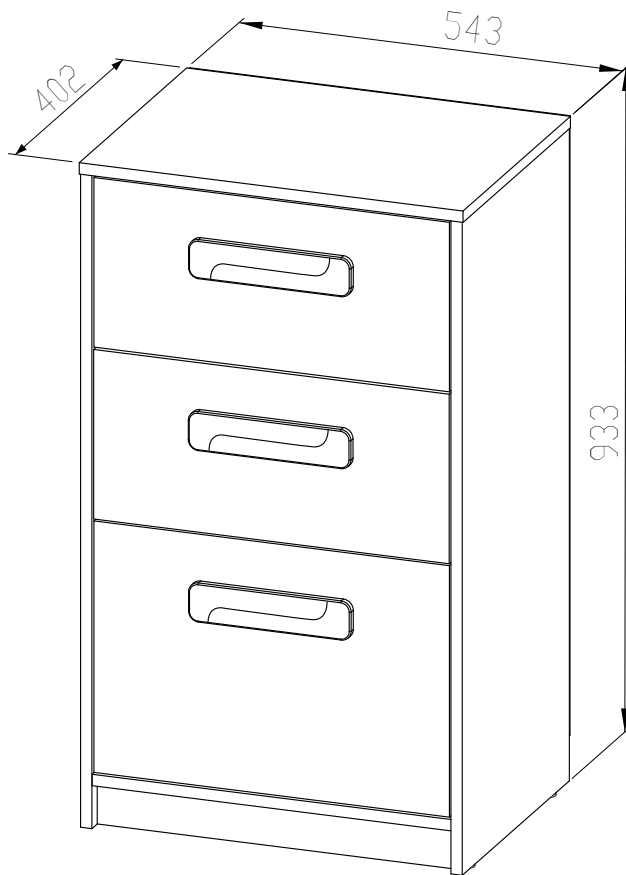
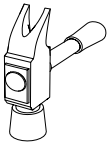
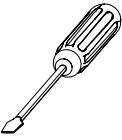
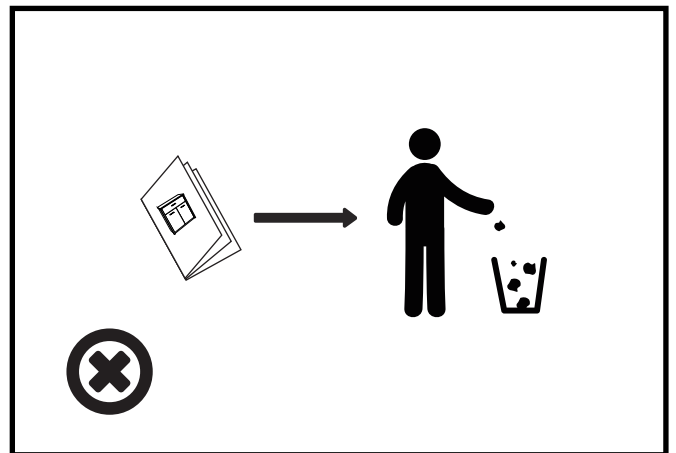
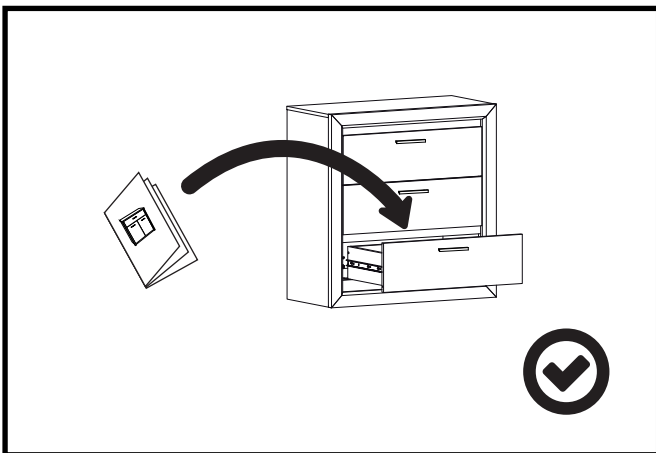
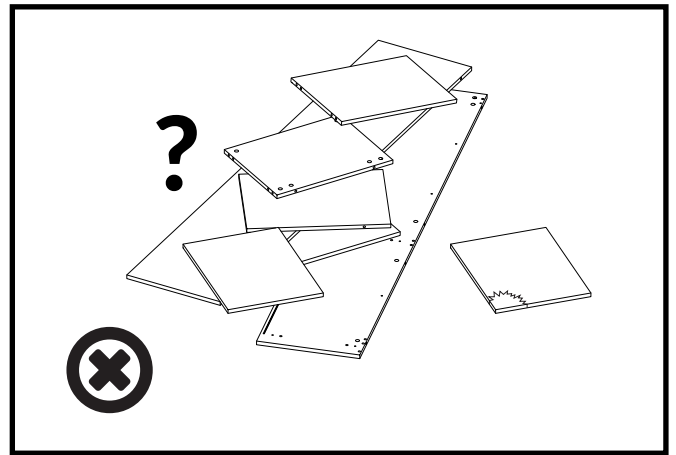
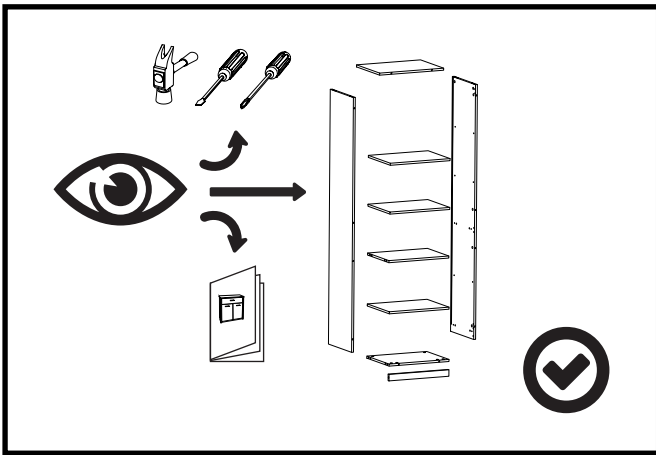
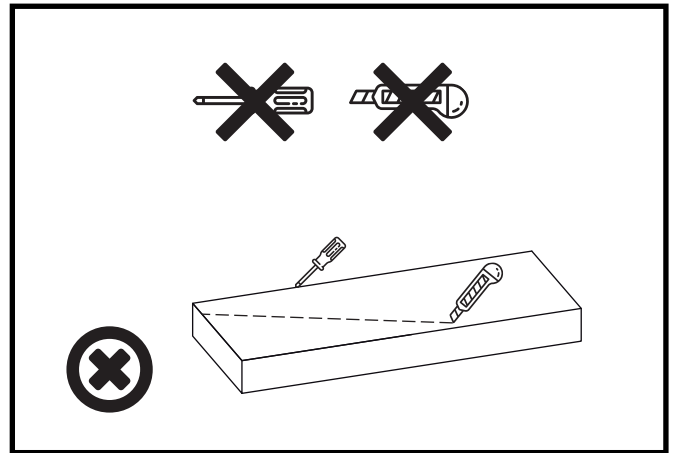
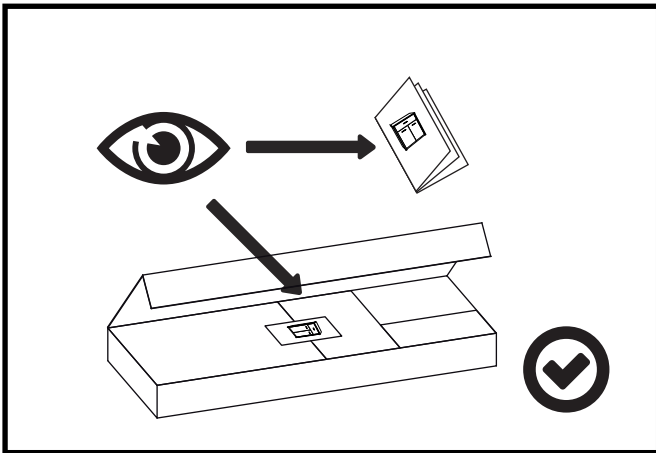
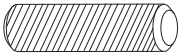

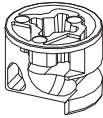
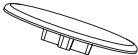
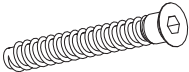

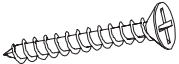

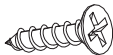
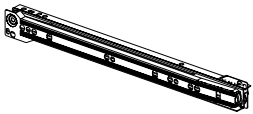

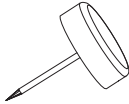


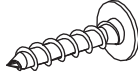
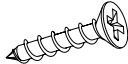


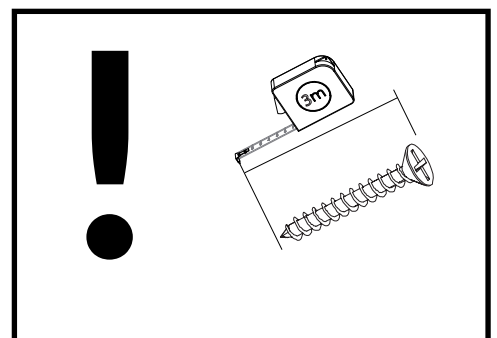
IQ 17








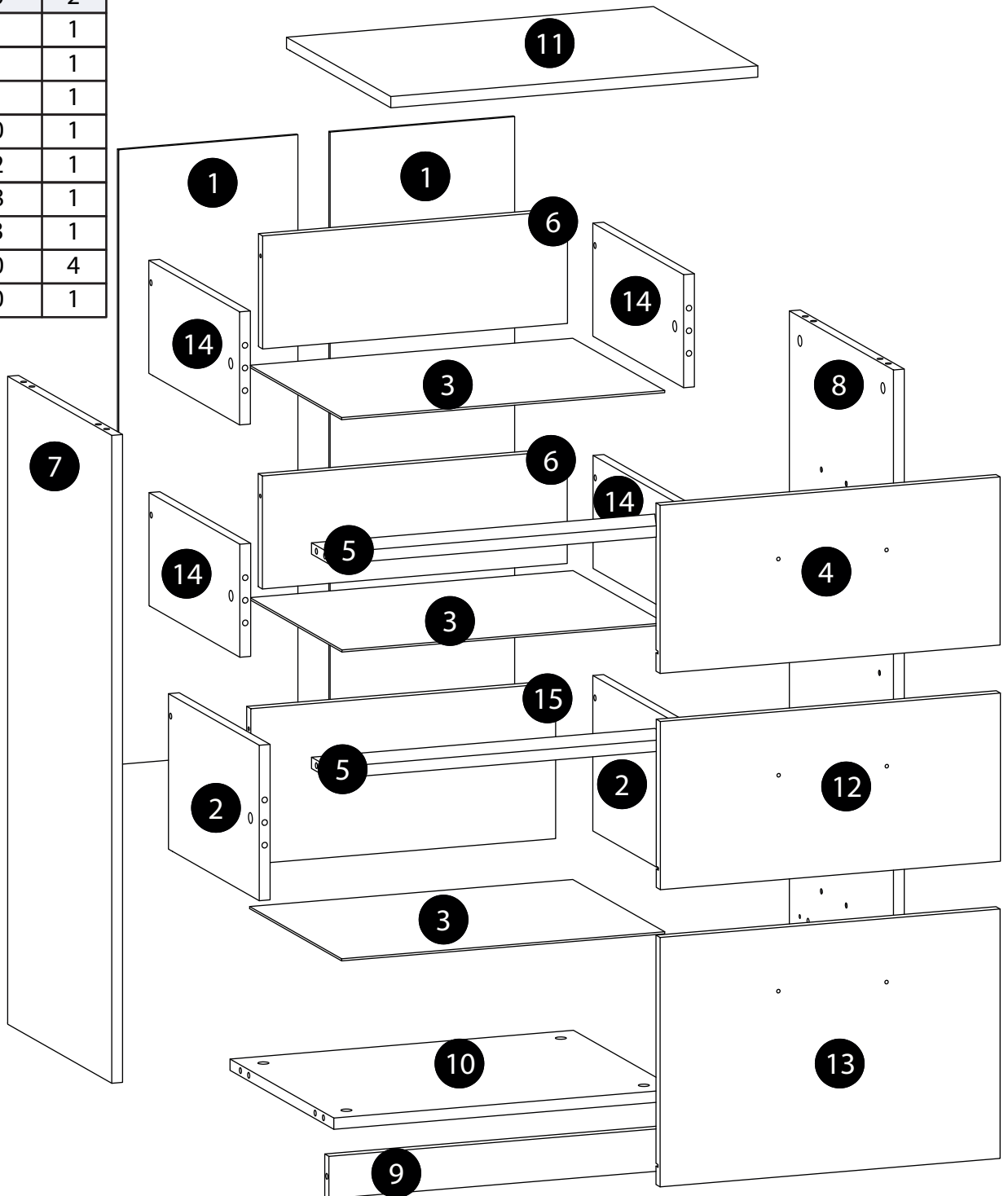
IQ 17

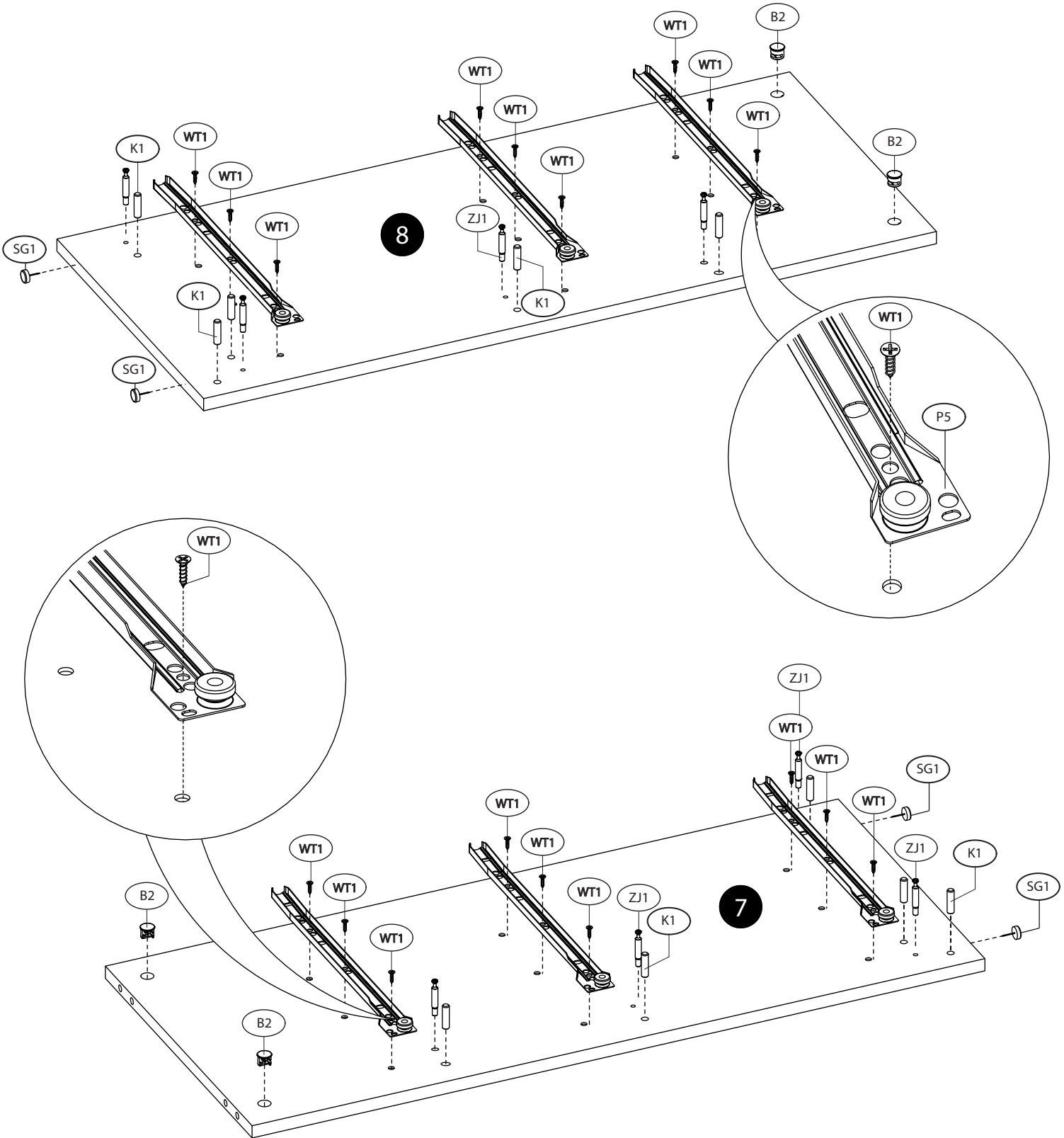
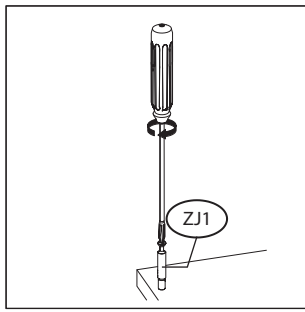
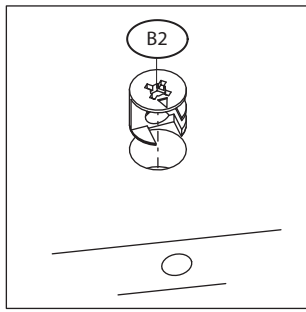
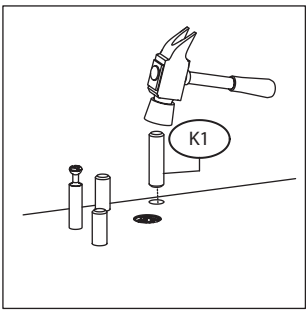
<p>K1 x 26</p> 	<p>GW1 x 30</p> 	<p>B2 x 18</p> 
<p>ZM1 x 6</p> 	<p>KT1 x 8 6,3x50</p> 	<p>ZJ1 x 18</p> 
<p>WT22 x 6 4x35</p> 	<p>x 1</p> 	<p>WT1 x 18 3,5x15</p> 
<p>P5 x 3</p> 	<p>UIQ x 3</p> 	<p>SG1 x 4</p> 
<p>KL x 1</p> 	<p>SP x 3</p> 	<p>WT9 x 12 3x16</p> 
<p>WT35 x 18 3x20</p> 		

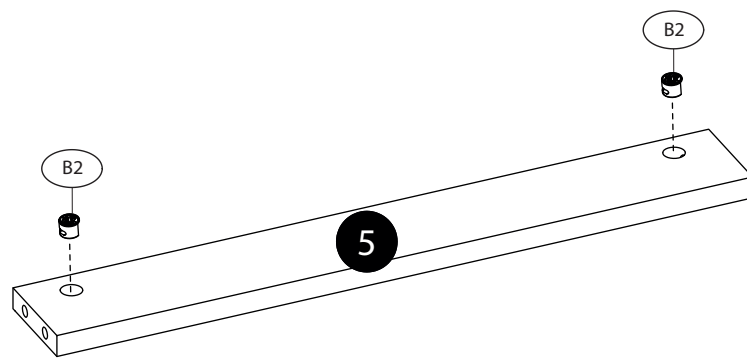
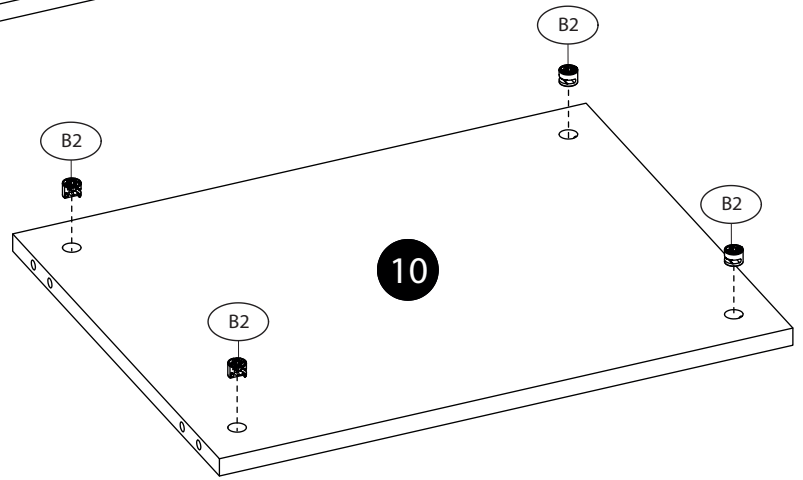
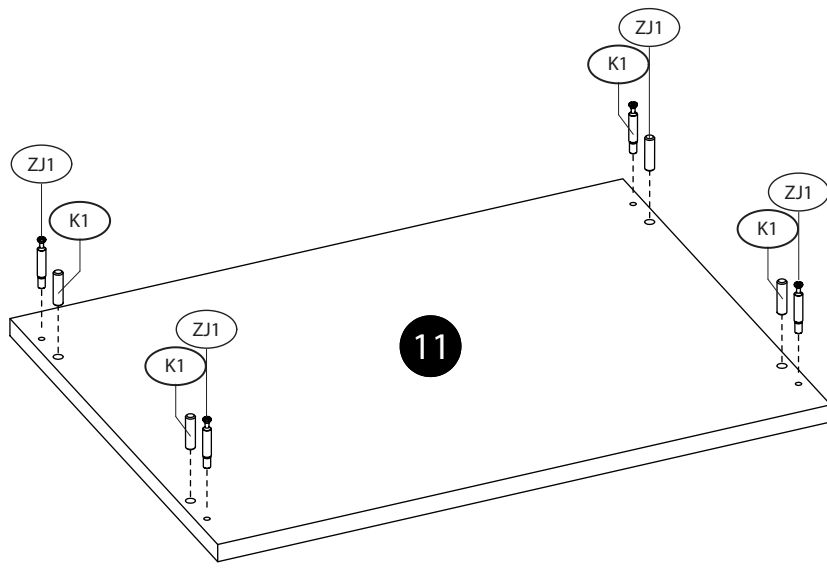


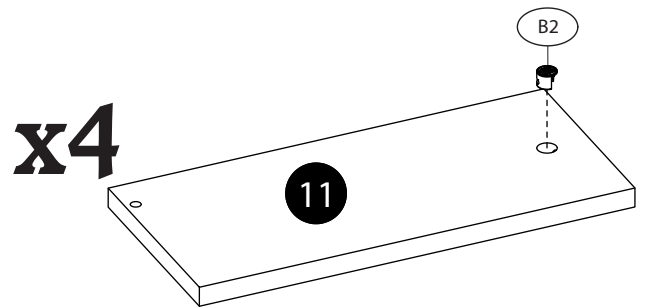
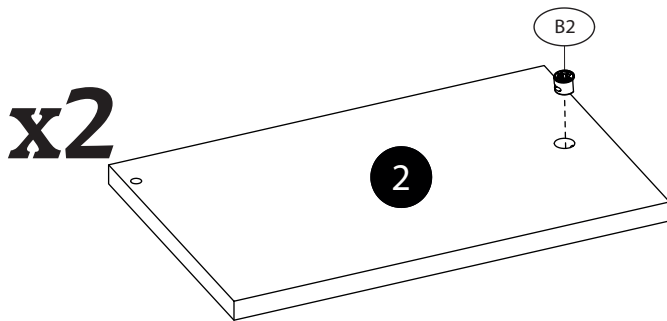
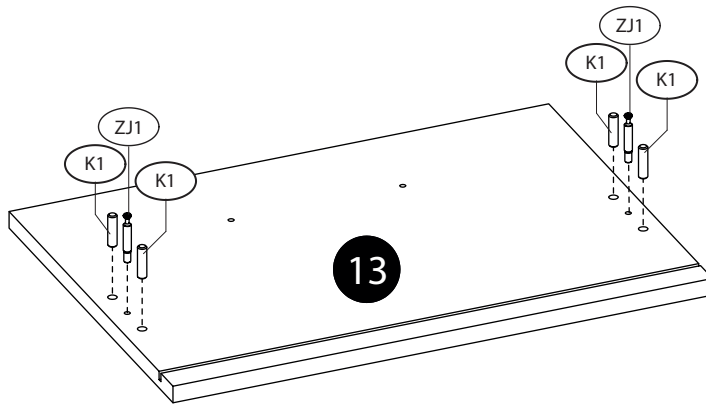
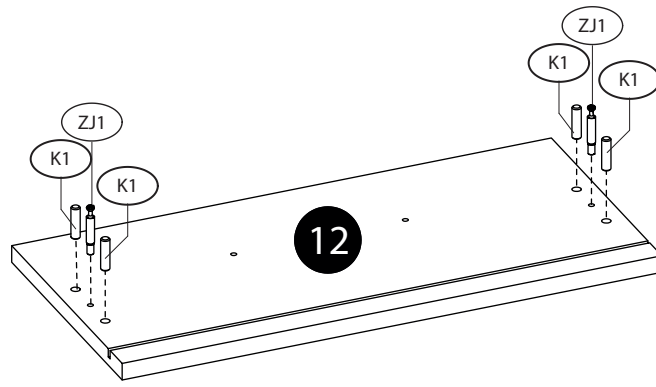
IQ 17

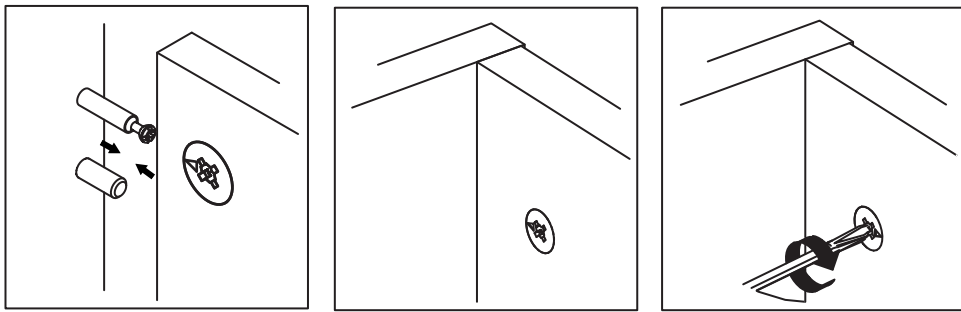
			
1	272	870	2
2	220	350	2
3	478	355	3
4	503	238	1
5	508	70	2
6	451	160	2
7	917	401	1
8	917	401	1
9	508	60	1
10	508	400	1
11	543	402	1
12	503	238	1
13	503	353	1
14	160	350	4
15	451	220	1



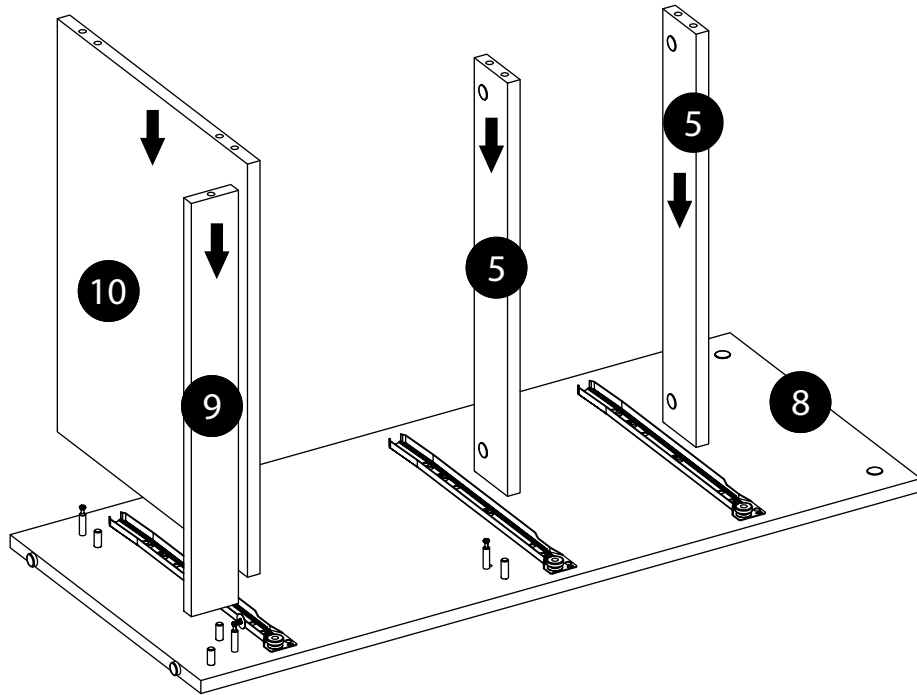




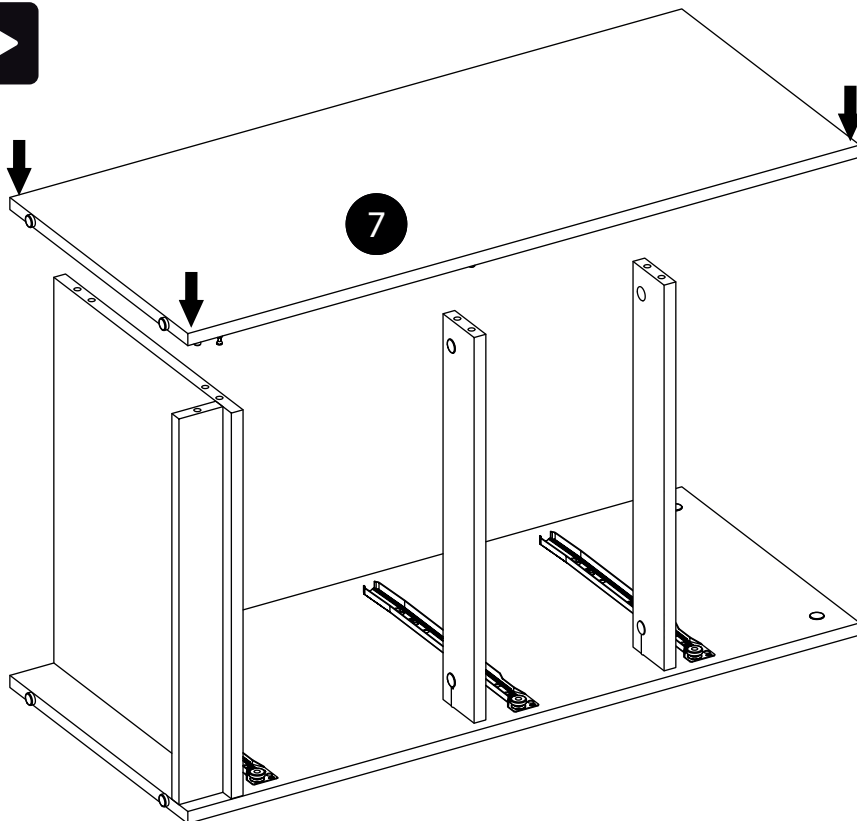


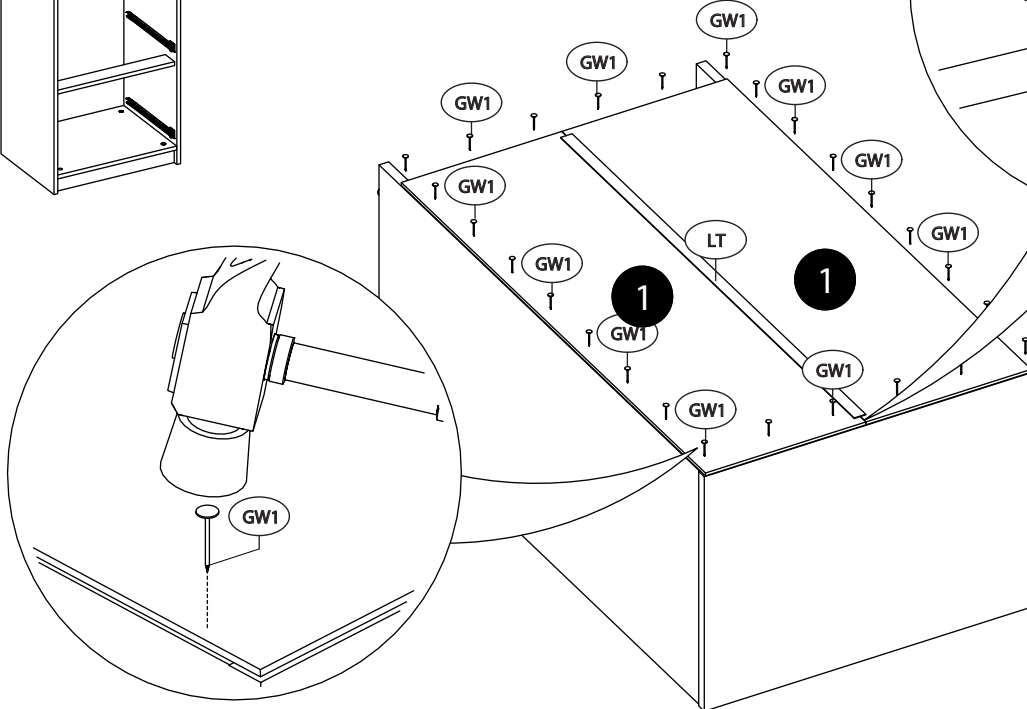
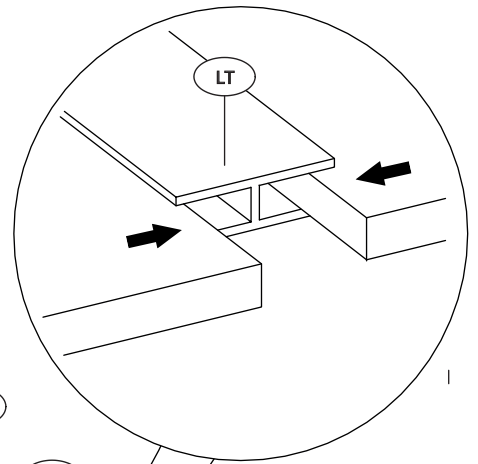
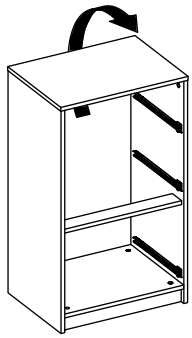
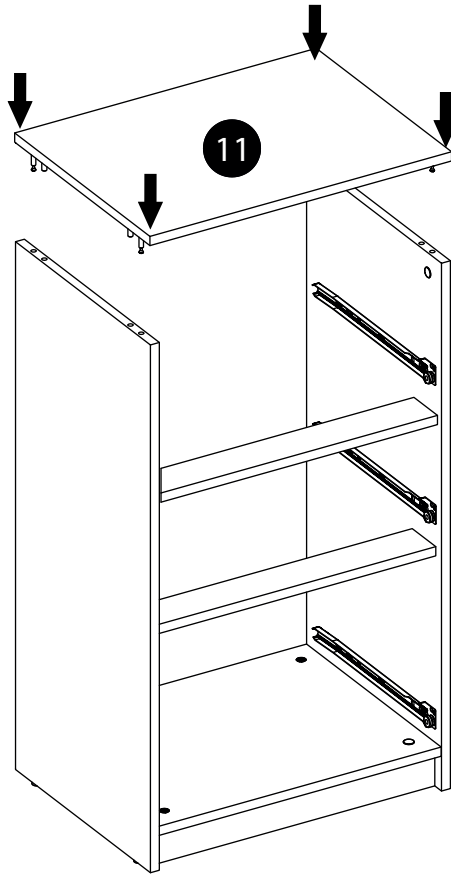
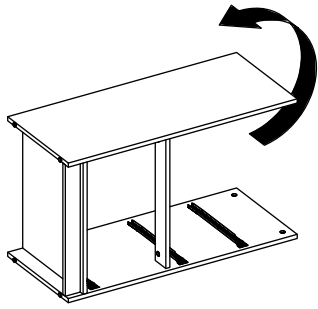


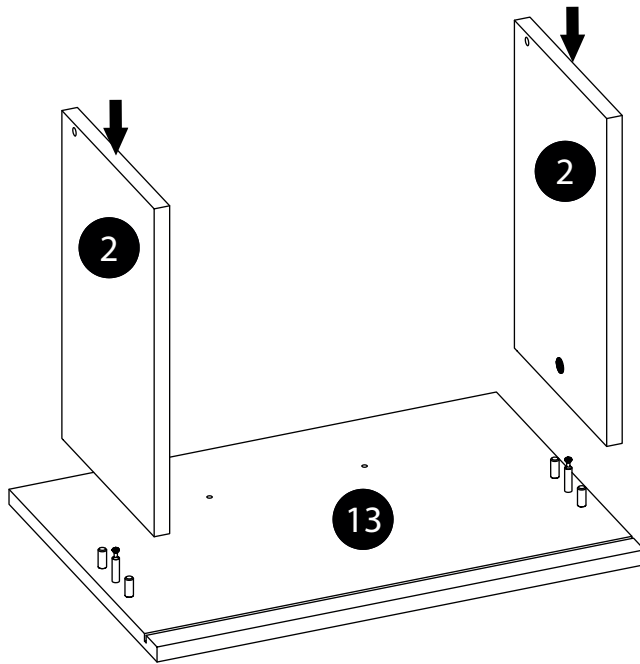
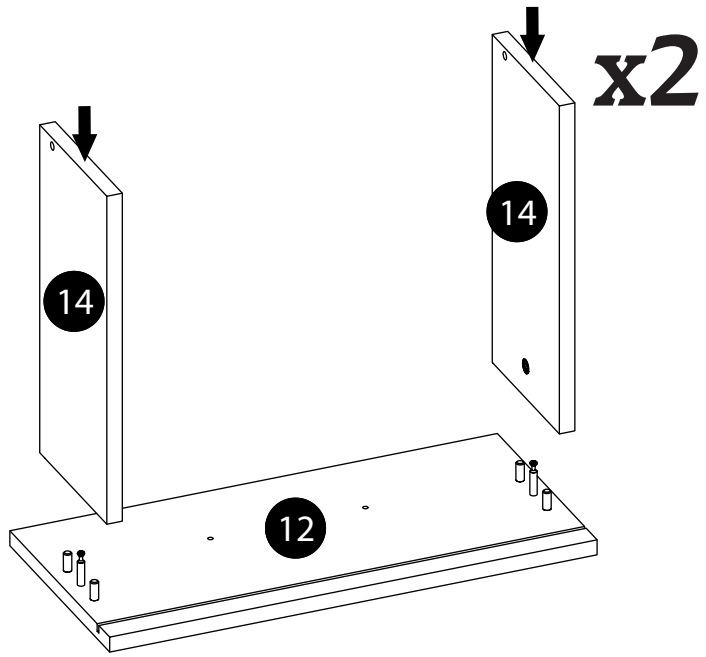
A ▶

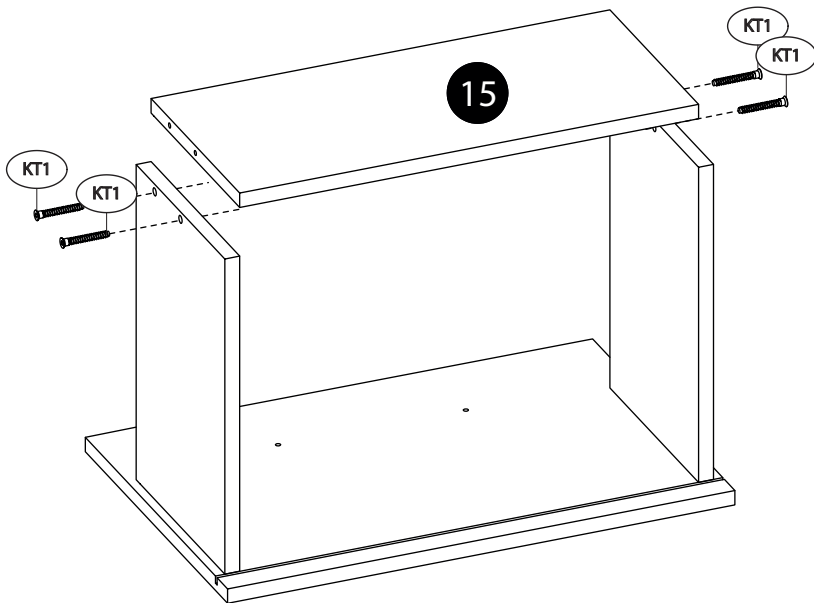
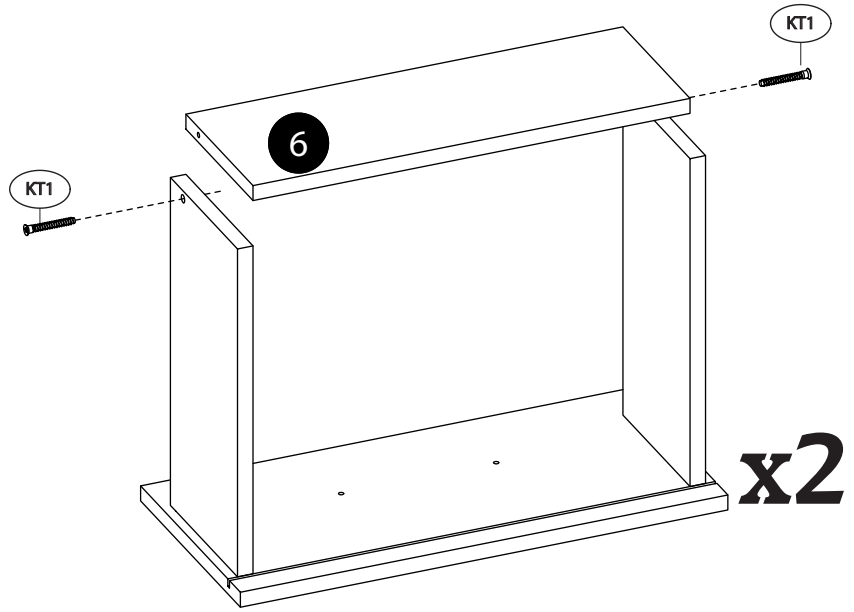


B ▶

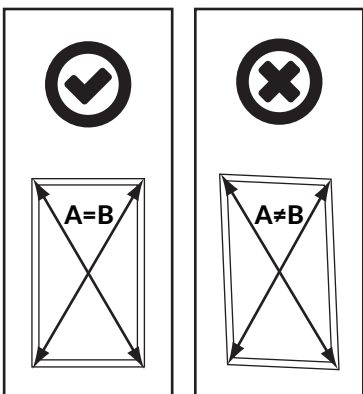
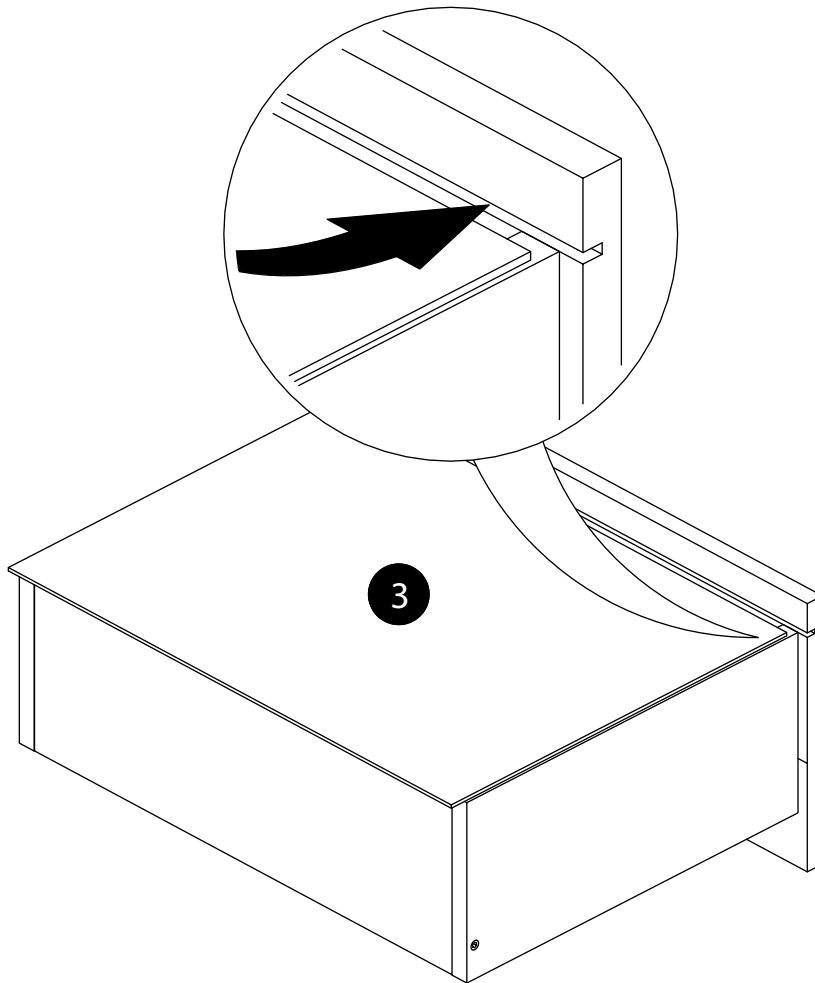
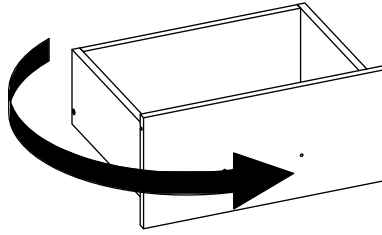
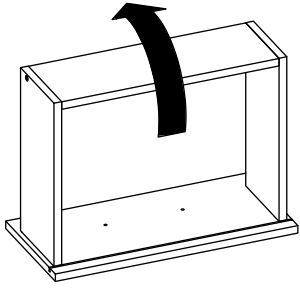


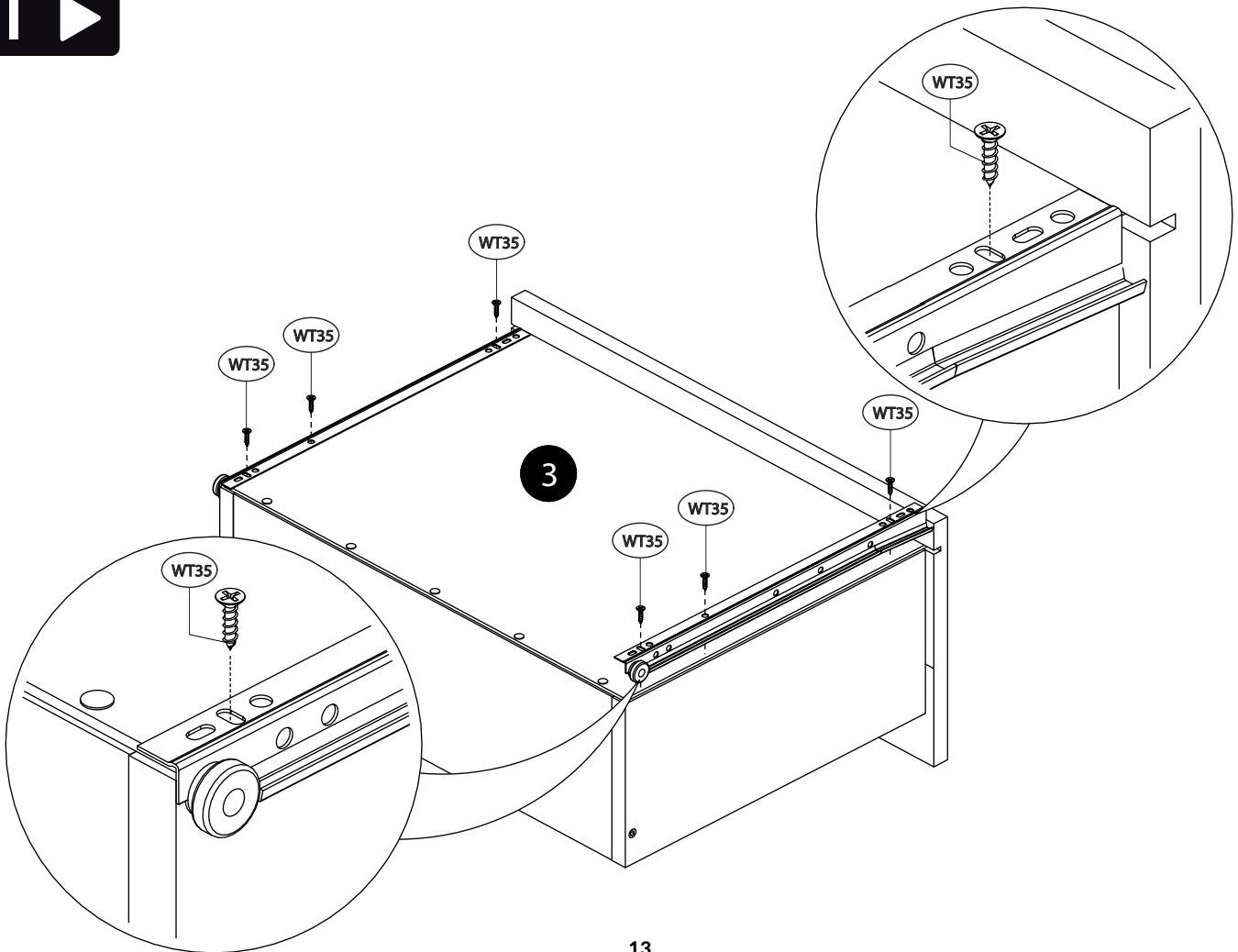
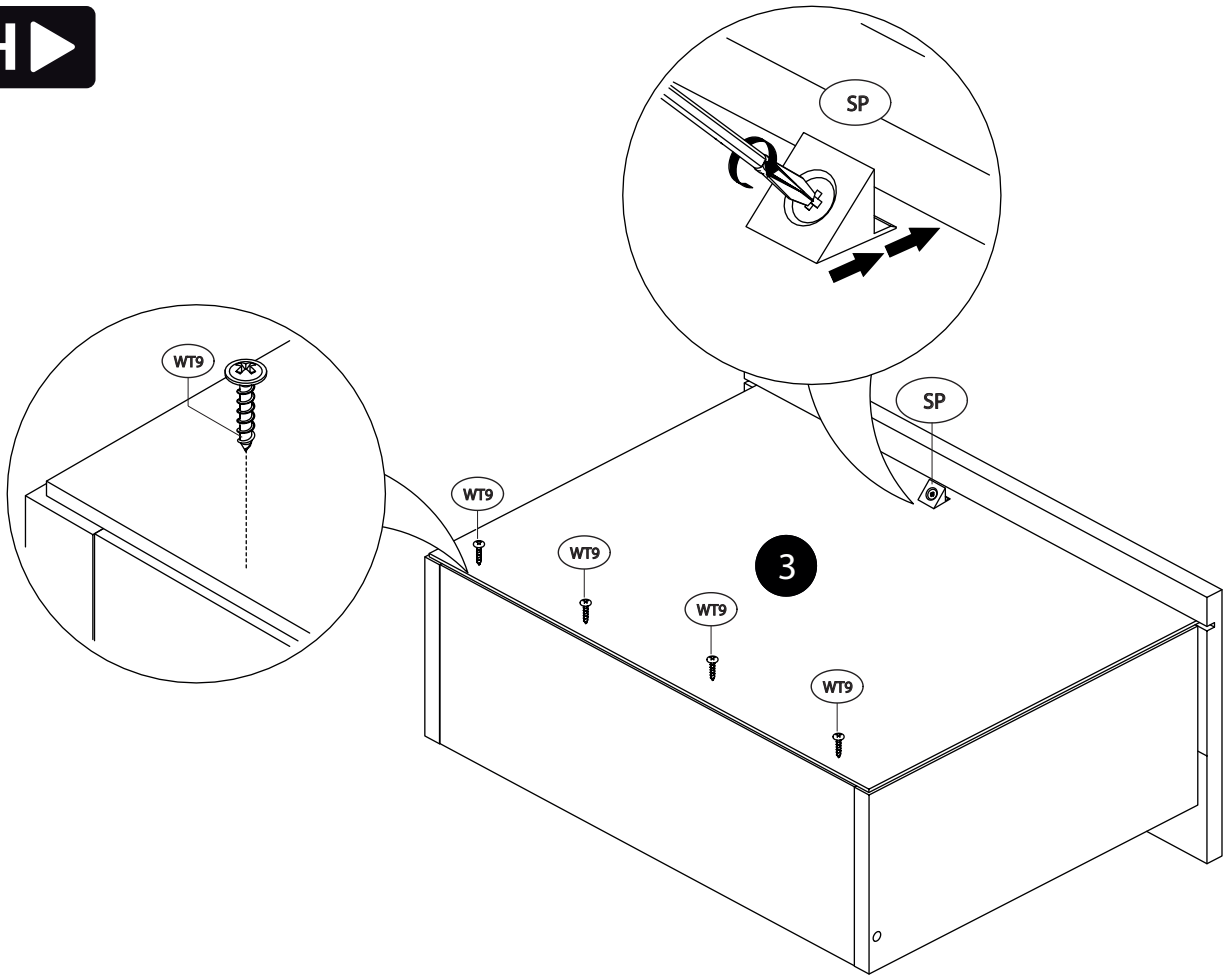




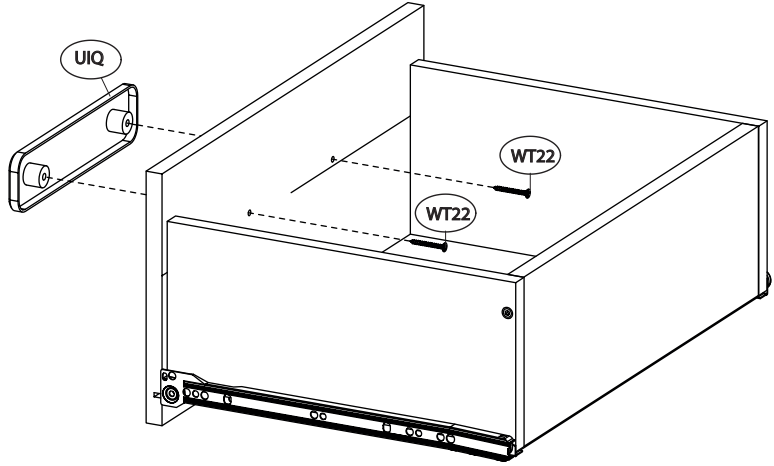
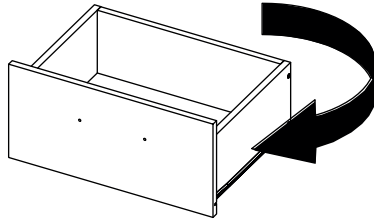
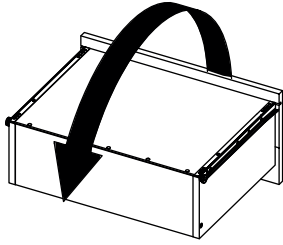


G ▶





J ▶



K ▶

