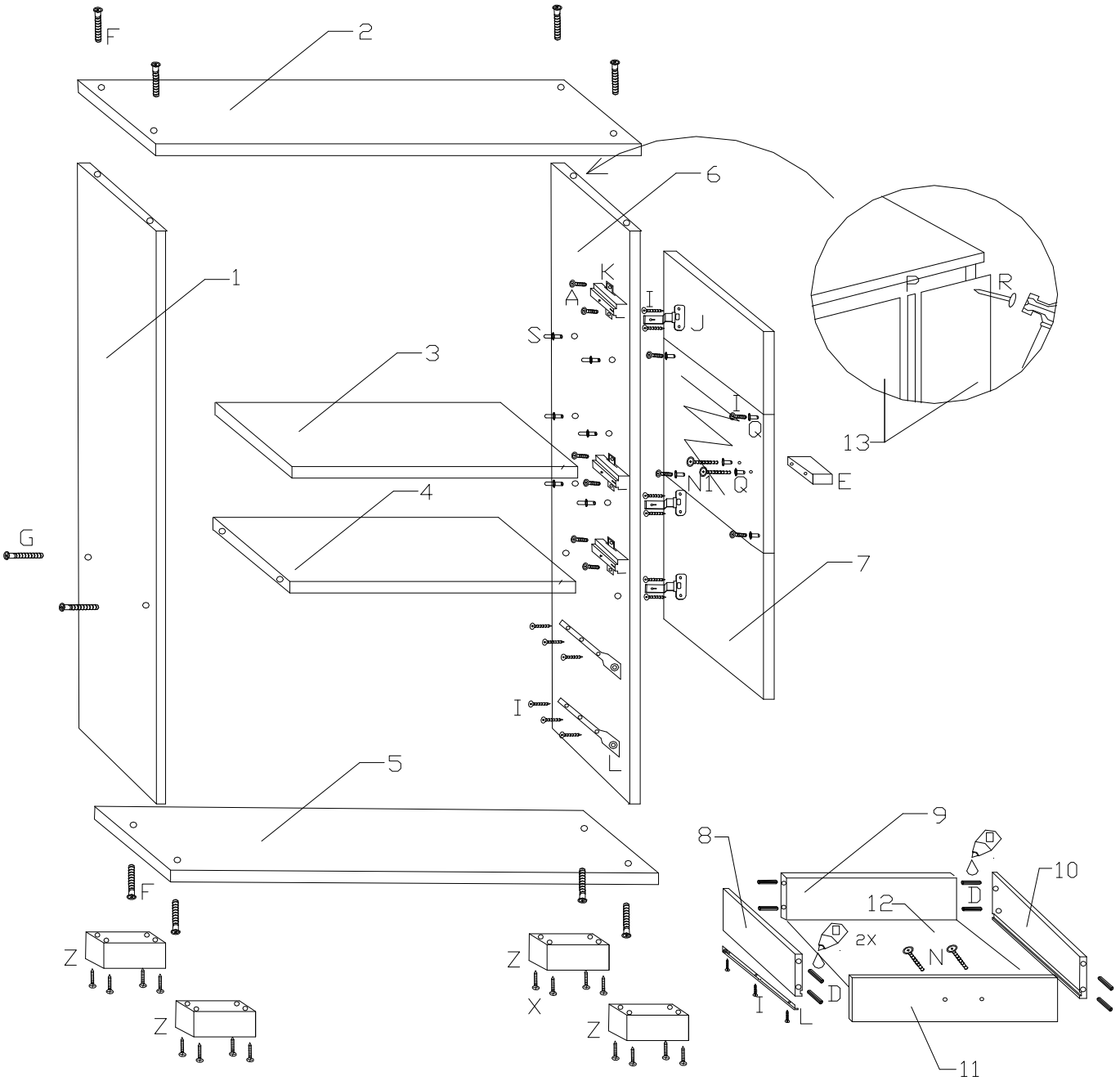


STEFANO SF-2



6x 6,3x13 A	12x C	16x D	3x E	8x 7x70 F	4x 7x50 G	34x 3,5x16 I	6x Q	4x Z
3x J	3x K	2x L	1x M	4x+2x 4x22 4x16 N+N1	1x O	1x P	45x R	12x S
								16x 4x30 X