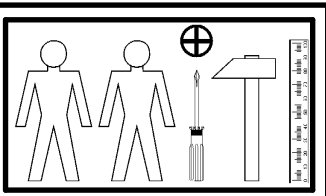
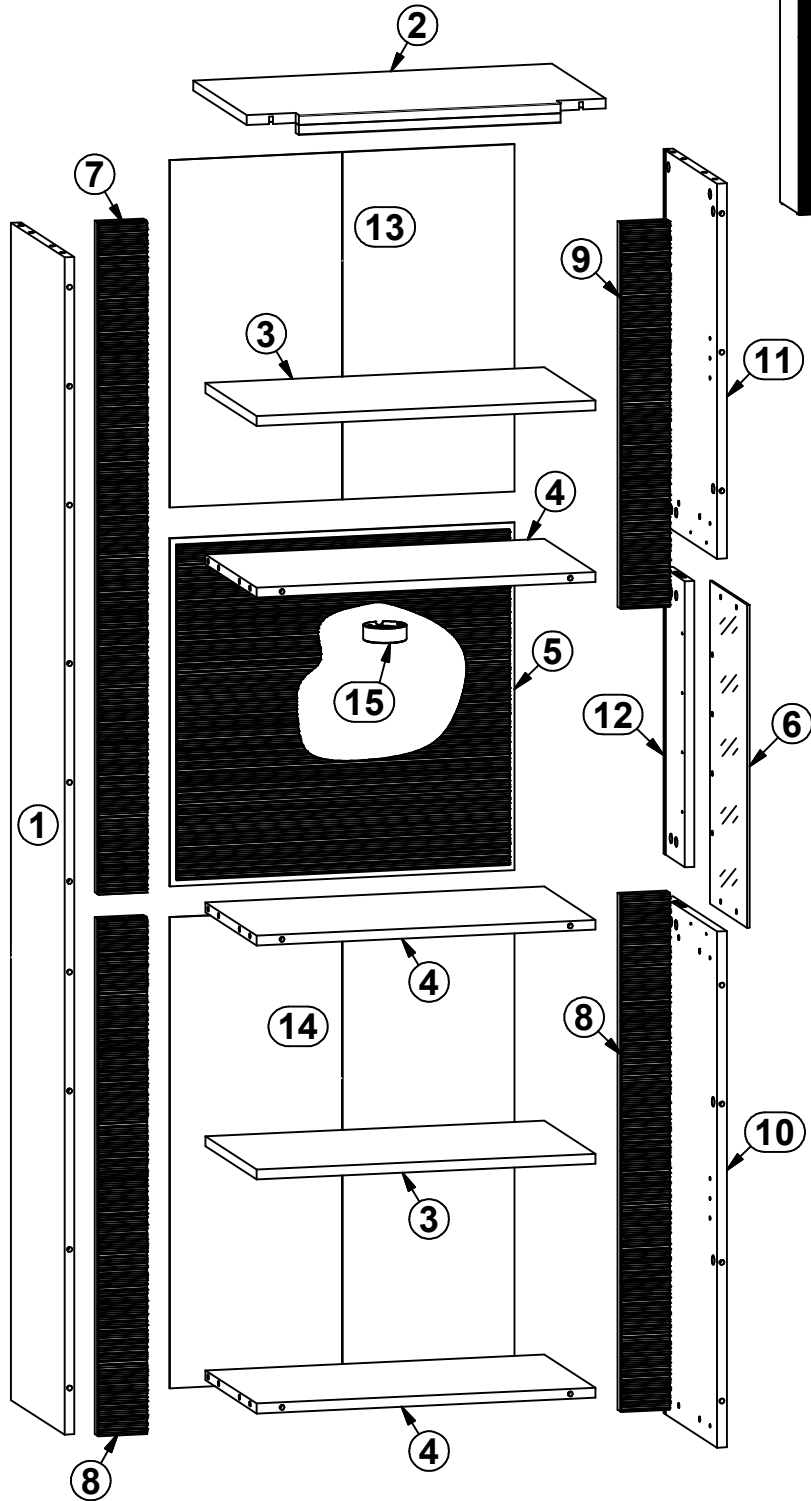
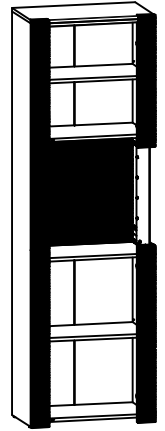
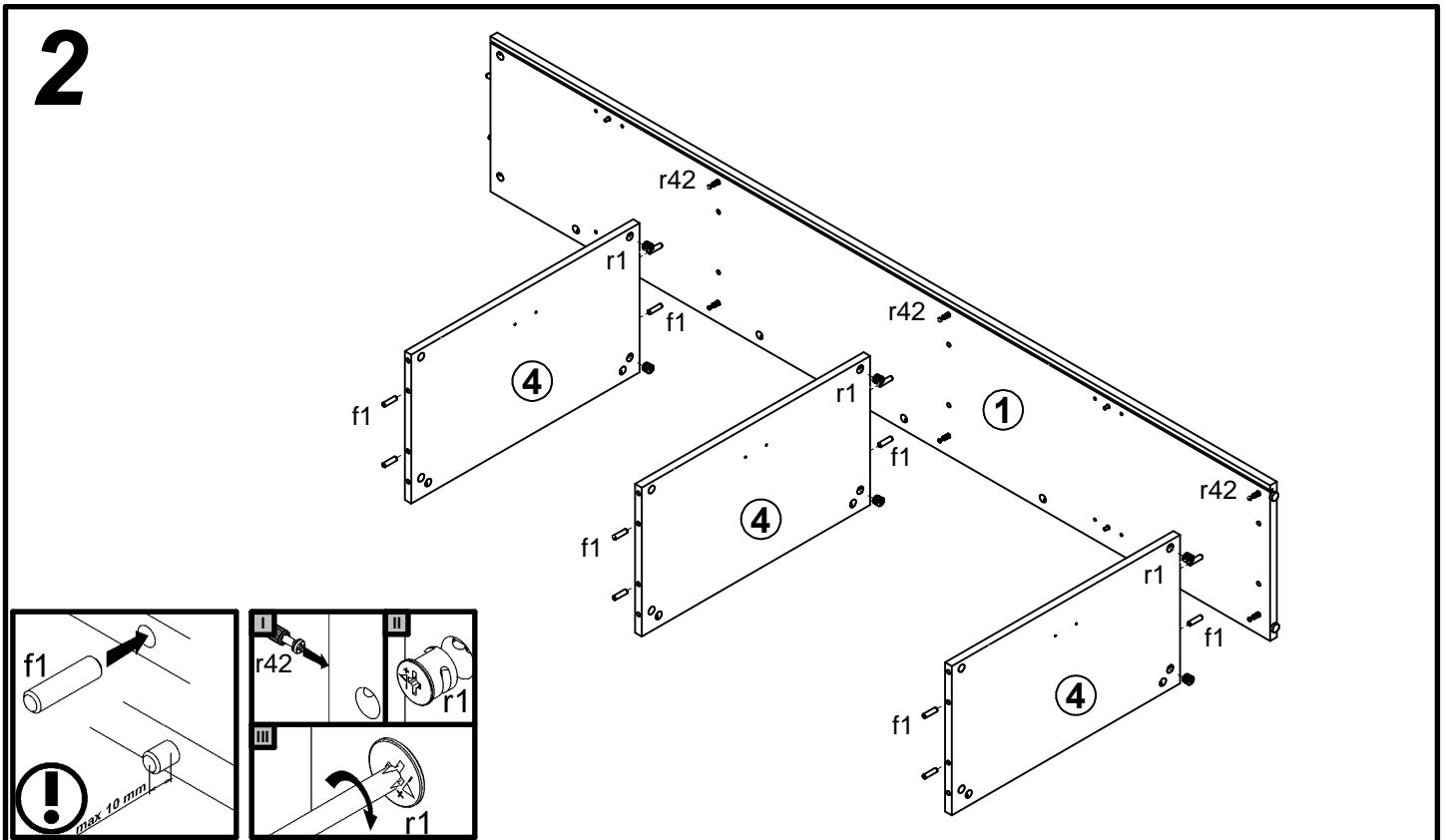
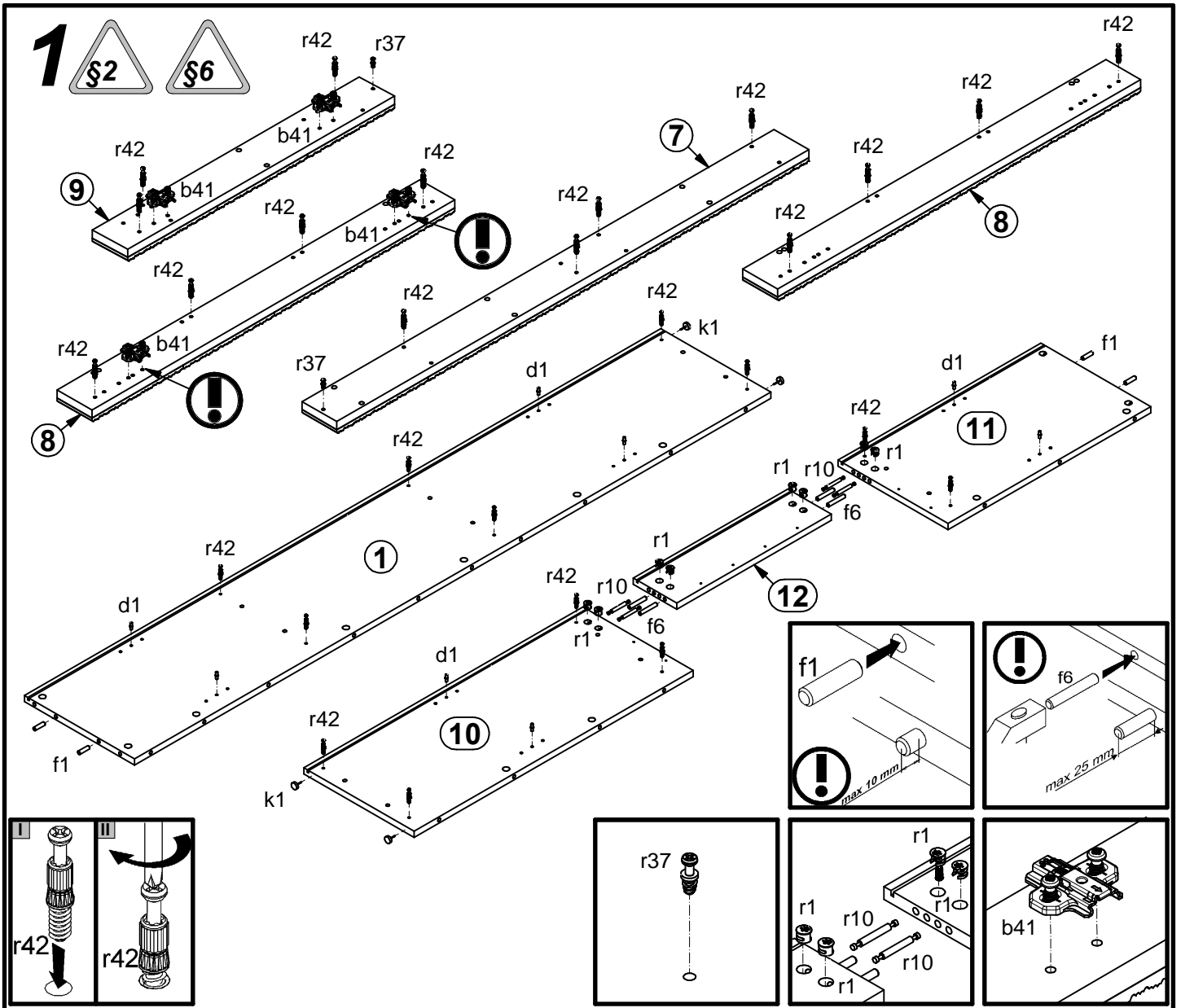
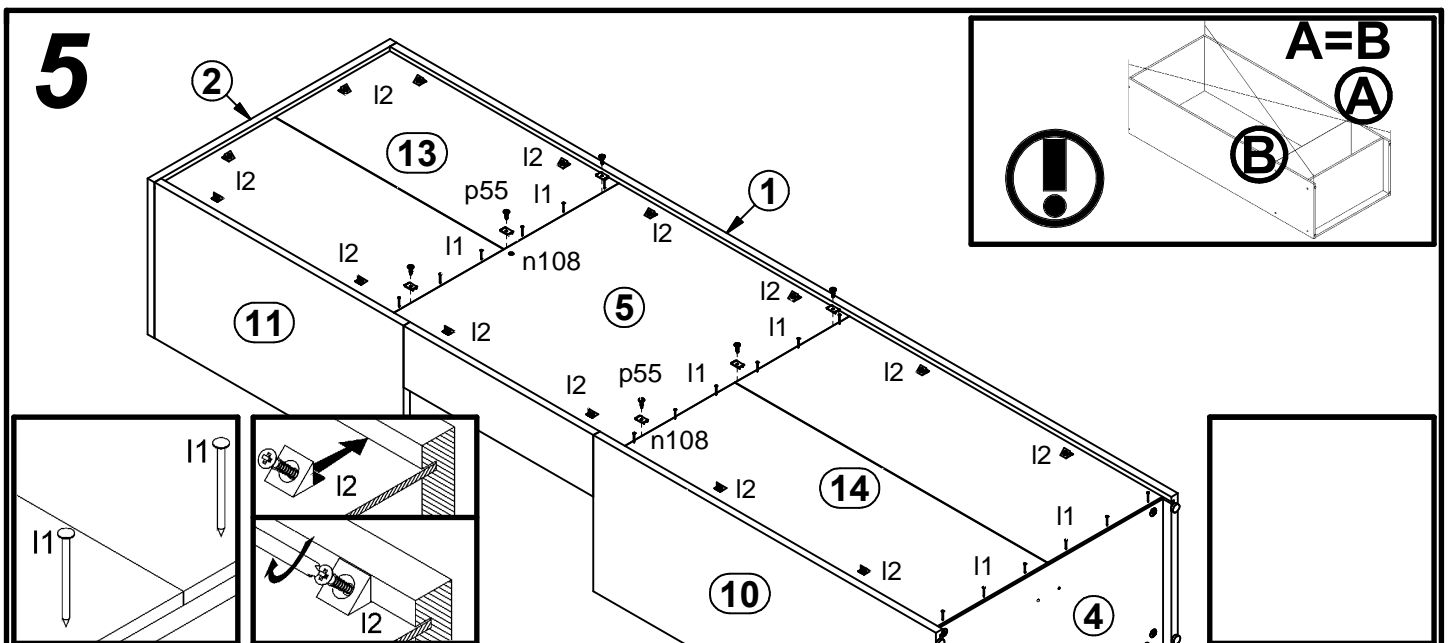
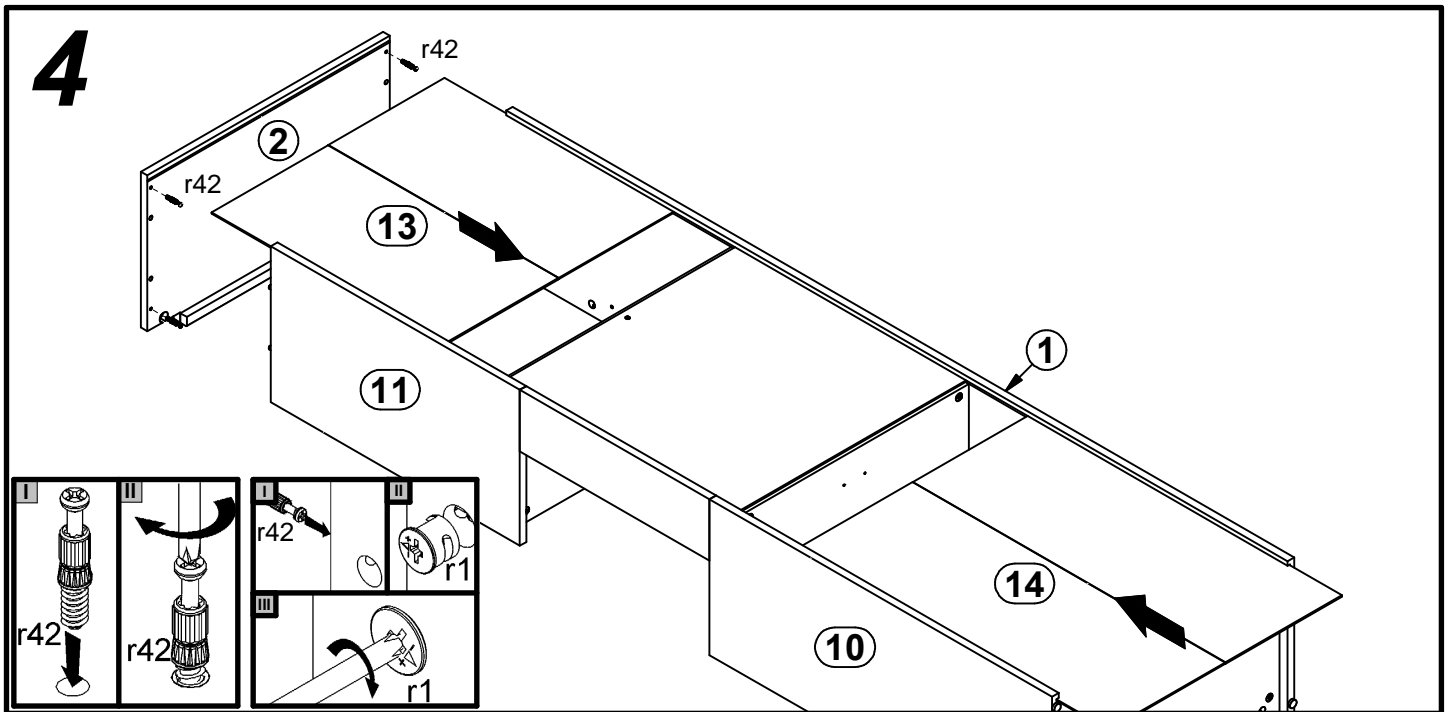
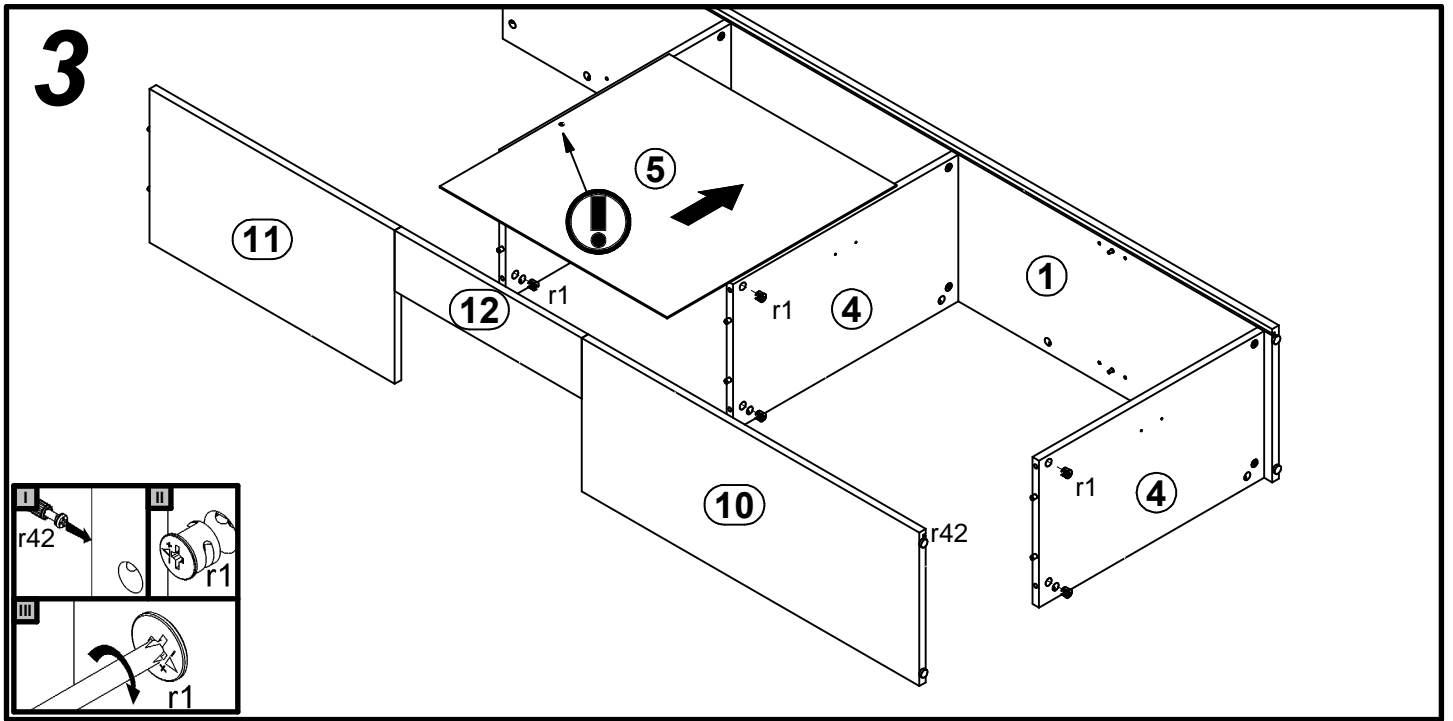


A	B	C	D
1	S126-137	1902	329
2	S126-201	590	351
3	S126-302	557	315
4	S126-319	557	315
5	S126-451	567	562
6	S126-559	229	522
7	S126-580	1085	80
8	S126-581	835	80
9	S126-582	623	80
10	S126-741	834	329
11	S126-742	606	329
12	S126-743	462	130
13	S126-9908	561	567
14	S126-9909	761	567
15	qa82\1	SPOT	

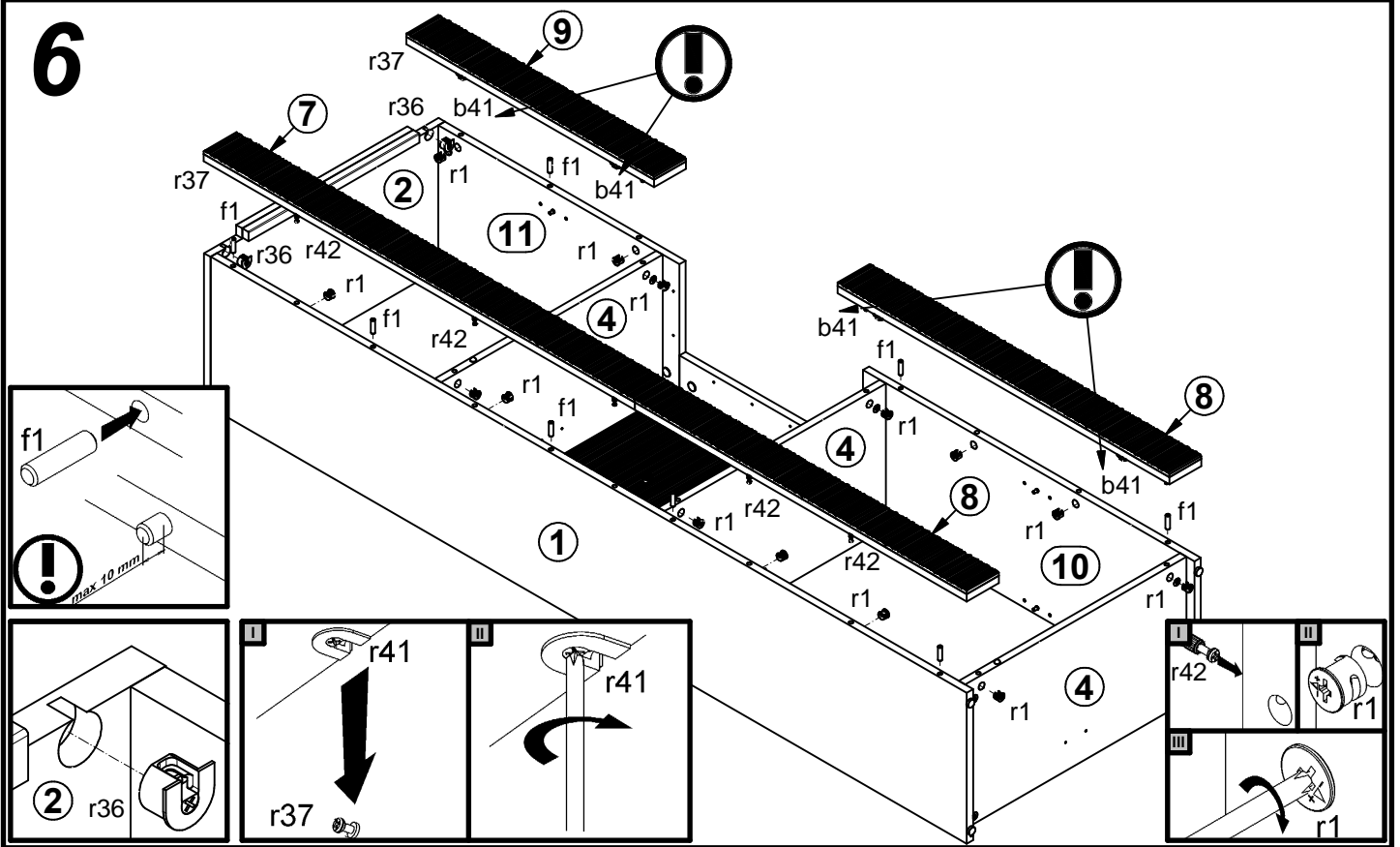


4x  a56	4x  b41	1x  c315	8x  φ8x17 mm d1	24x  φ8x30 mm f1	4x  φ8x30 mm f6	4x  k1	20x  l1	14x  l2
6x  20x13x3,5\1 mm n108	16x  o1	1x  o48\1	1x  o48\2	2x  p114	16x  φ3,5x16 mm p38	8x  φ3,5x15 mm p51	2x  φ3,5x12 mm p54	6x  φ2,9x16 mm p55
39x  φ15x12mm #16 r1	4x  r10	2x  φ20x12mm #16 r36	2x  6,7\7,8 r37	31x  r42	21x  φ16 s2	2x  φ11x5 mm s43	1x  n26\1	1x  φ3,5x16 mm p38





# 6



# 7

