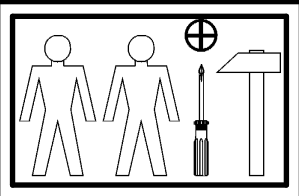
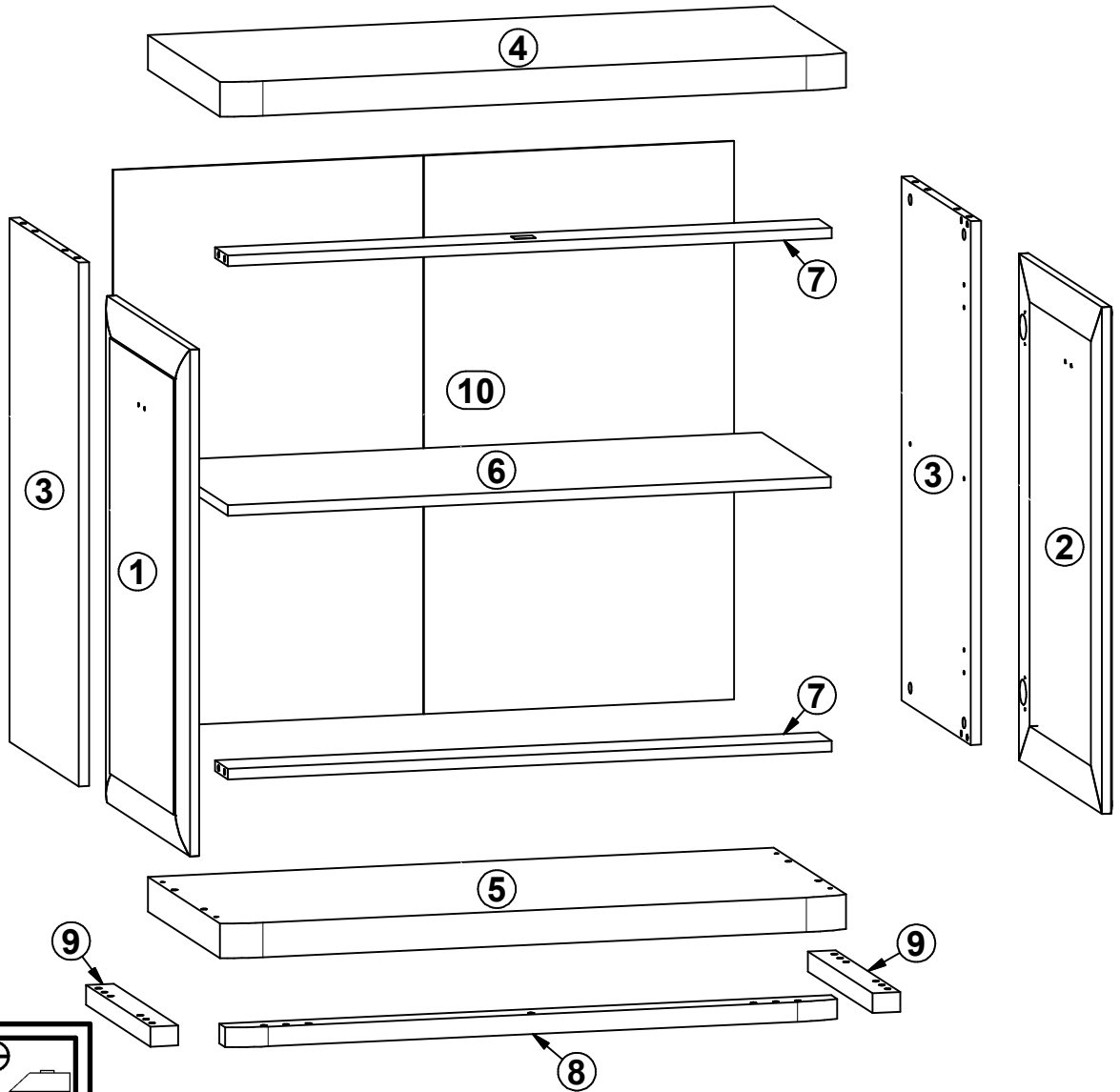
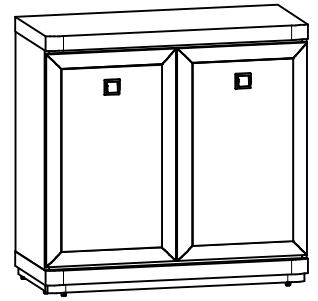


# OREGON

## S157-KOM2D

| A  | B        | C   | D       |
|----|----------|-----|---------|
| 1  | S157-004 | 716 | 445 3/3 |
| 2  | S157-005 | 716 | 445 3/3 |
| 3  | S157-106 | 740 | 371 1/3 |
| 4  | S157-201 | 900 | 396 2/3 |
| 5  | S157-202 | 900 | 396 2/3 |
| 6  | S157-304 | 867 | 370 1/3 |
| 7  | S157-401 | 868 | 70 2/3  |
| 8  | S157-501 | 880 | 40 2/3  |
| 9  | S157-502 | 346 | 40 2/3  |
| 10 | S157-901 | 789 | 893 1/3 |



|                     |           |   |   |  |  |   |                    |   |
|---------------------|-----------|---|---|--|--|---|--------------------|---|
| 4x<br>a44           | 4x<br>b19 | 2x<br>c333                                | 4x<br>$\phi 5 \times 17 \text{ mm}$ d1        | 7x<br>$\phi 7 \times 50 \text{ mm}$ e1 | 8x<br>$\phi 6,3 \times 13 \text{ mm}$ e2 | 22x<br>$\phi 8 \times 30 \text{ mm}$ f1 | 4x<br>M4x18 mm j59 | 4x<br>M6/ø8x14 mm k39/2                   |
| 4x<br>M6x22mm k39/3 | 35x<br>l1 | 8x<br>$\phi 3,5 \times 15 \text{ mm}$ p51 | 8x<br>$\phi 1,5 \times 12 \text{ mm} \#16$ r1 | 8x<br>r42                              | 8x<br>$\phi 16$ s2                       | 1x<br>z1                                | 1x<br>n26/1        | 1x<br>$\phi 3,5 \times 16 \text{ mm}$ p38 |

