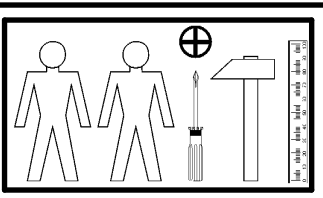
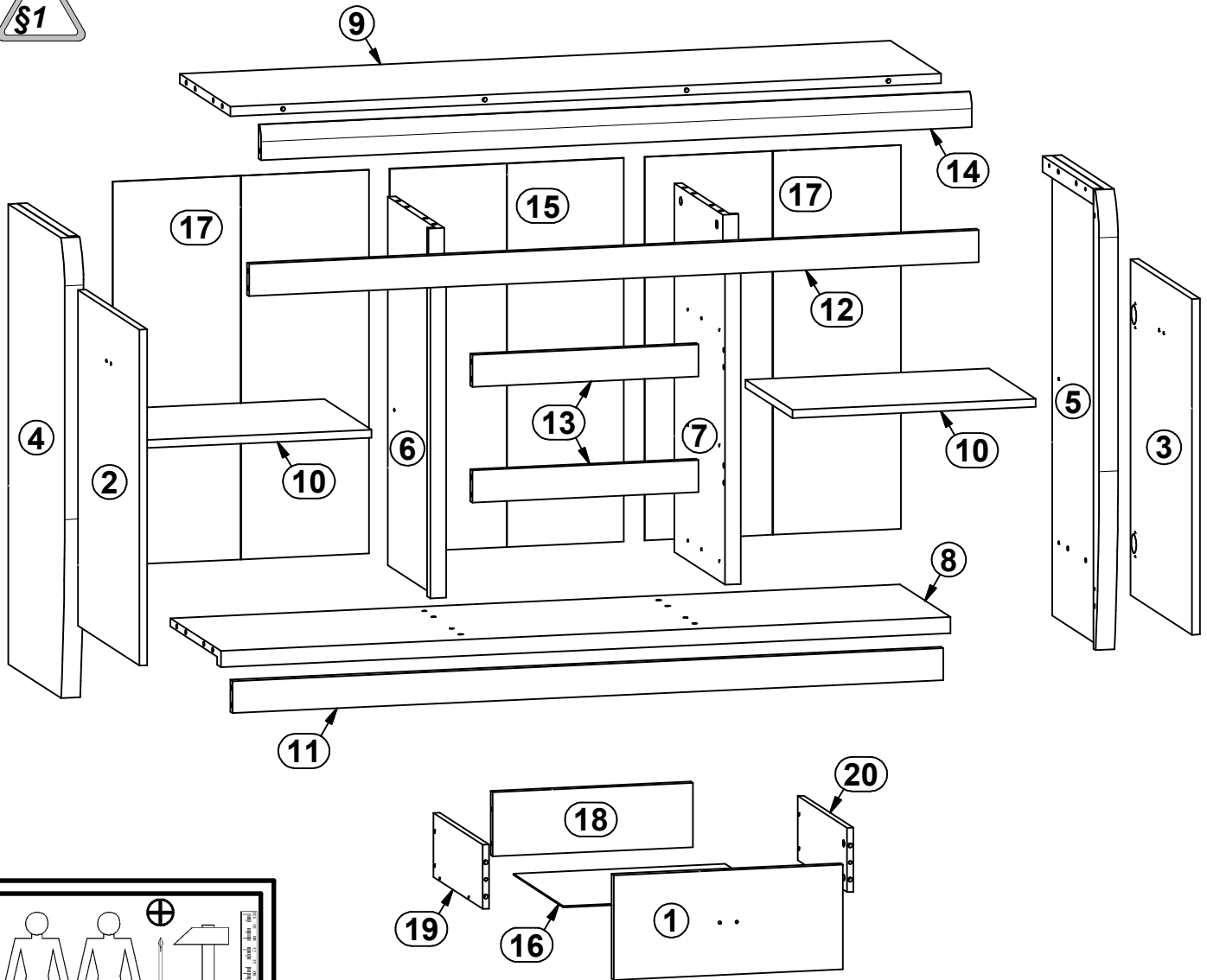
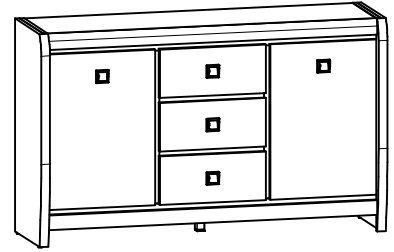


LOREN

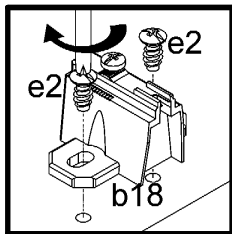
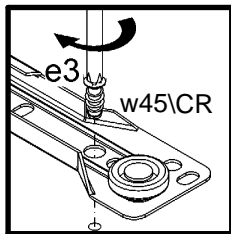
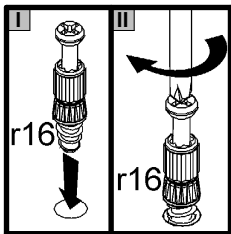
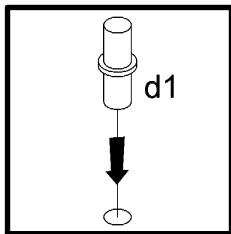
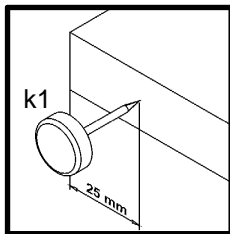
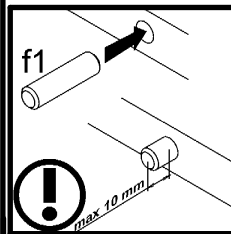
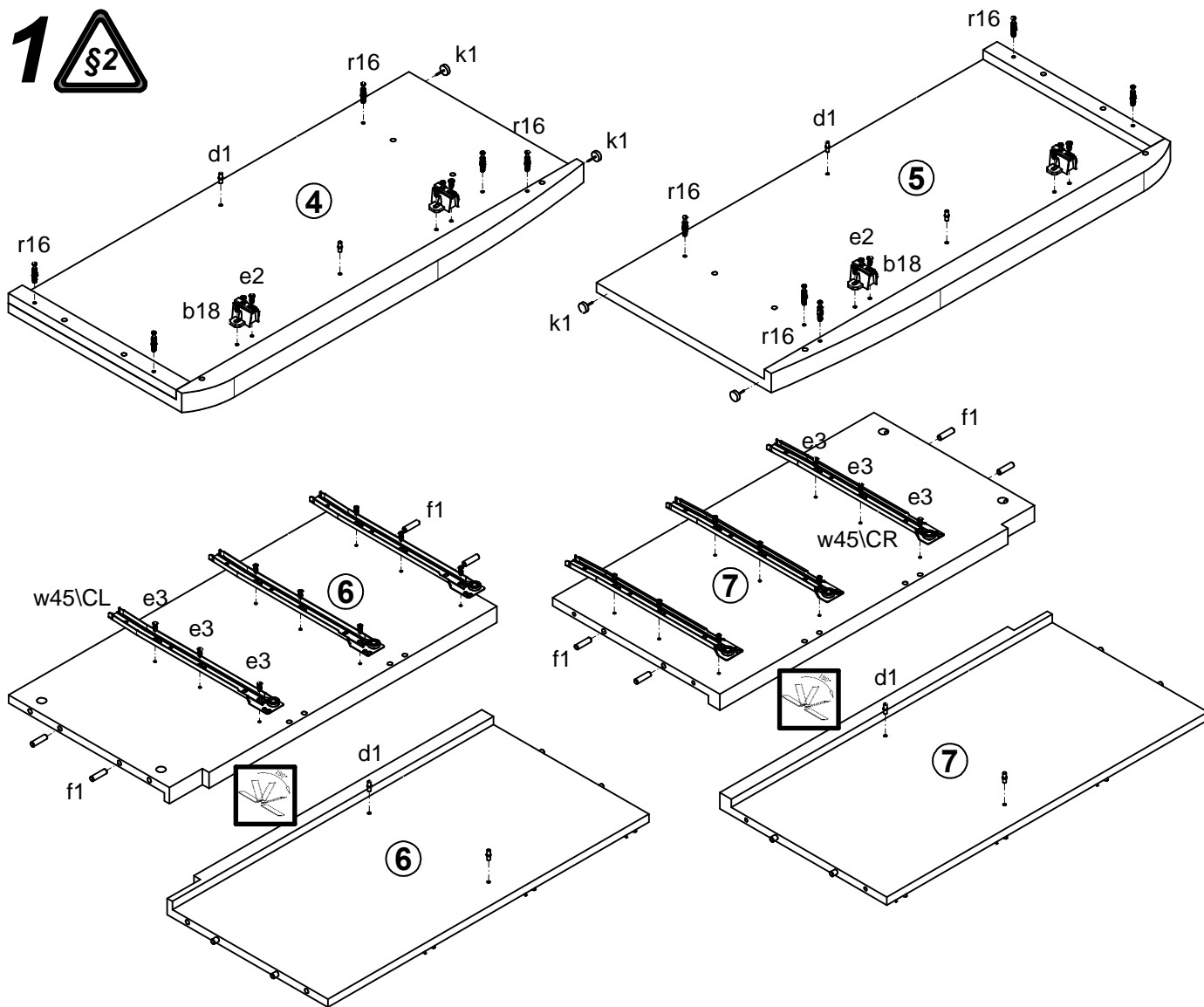
S163-KOM2D3S

A	B	C	D	A	B	C	D		
1	S163-004	436	196	3/3	11	S163-406	1352	60	2/3
2	S163-005	628	436	3/3	12	S163-407	1388	60	2/3
3	S163-006	628	436	3/3	13	S163-408	430	60	2/3
4	S163-107	860	400	1/3	14	S163-504	1352	64	2/3
5	S163-108	860	400	1/3	15	S163-905	717	445	1/3
6	S163-109	689	359	2/3	16	S163-906	403	355	1/3
7	S163-110	689	359	2/3	17	S163-907	717	487	1/3
8	S163-305	1388	359	2/3	19	ZS4-501	350	120	1/3
9	S163-306	1352	360	2/3	20	ZS4-502	350	120	1/3
10	S163-307	463	333	2/3	18	ZS3-5513	381	120	1/3

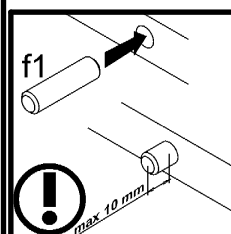
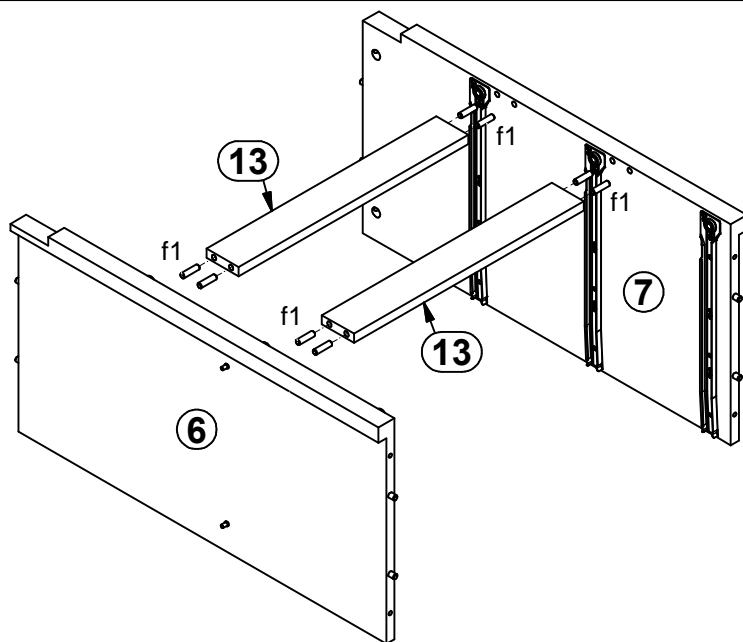


4x a43	4x b18	5x c333	8x Ø5x17 mm d1	4x Ø7x50 mm e1	12x Ø5x9 mm e19	9x Ø6.3x13 mm e2	18x Ø6x13 mm e3	32x Ø8x30 mm f1
6x Ø6x30 mm f9	12x Ø6.5x40 mm f25	10x M4x20 mm j1	4x k1	1x k38/3	1x k38/5	80x l1	1x 32x16x15.1 mm n56	2x Ø3.5x13 mm p27
16x Ø3.5x16 mm p38	8x Ø3.5x15 mm p51	18x Ø15x12 mm #16 r1	12x Ø12x10.5 mm #12 r15	30x r16	3x 350 mm w45/CL	3x 350 mm w45/CR	3x 350 mm w45/DL	3x 350 mm w45/DR
1x z1	1x n26/1	1x Ø3.5x16 mm p38						

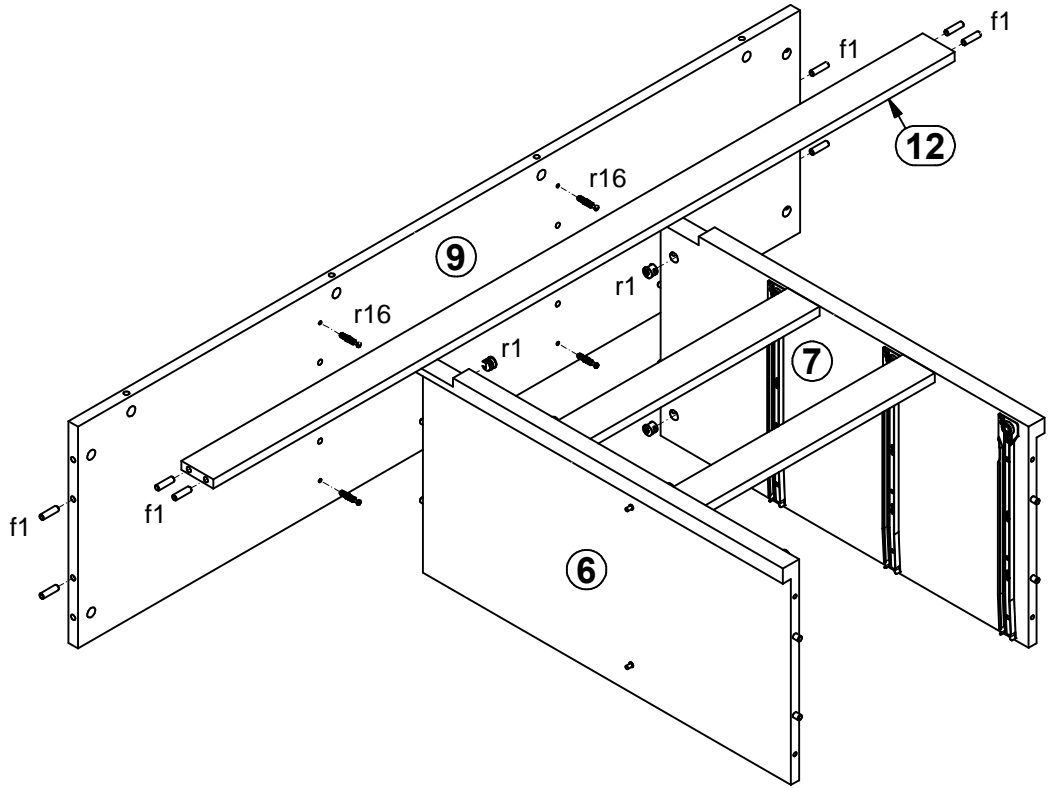
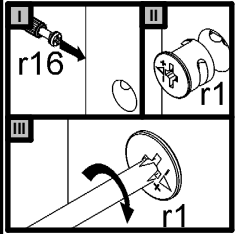
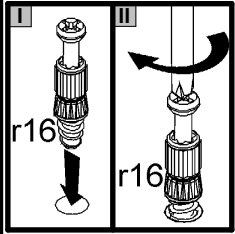
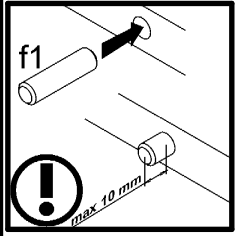
1



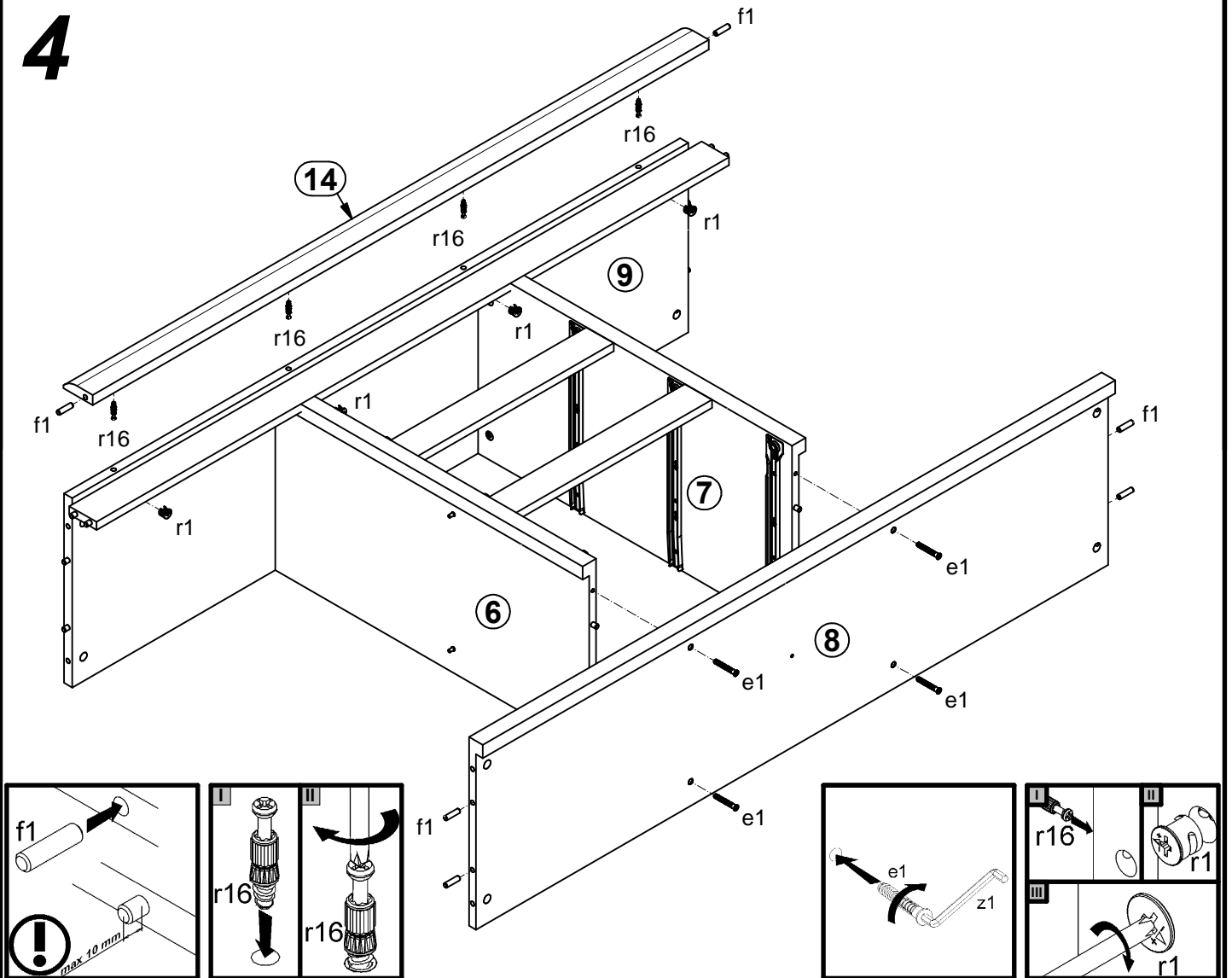
2



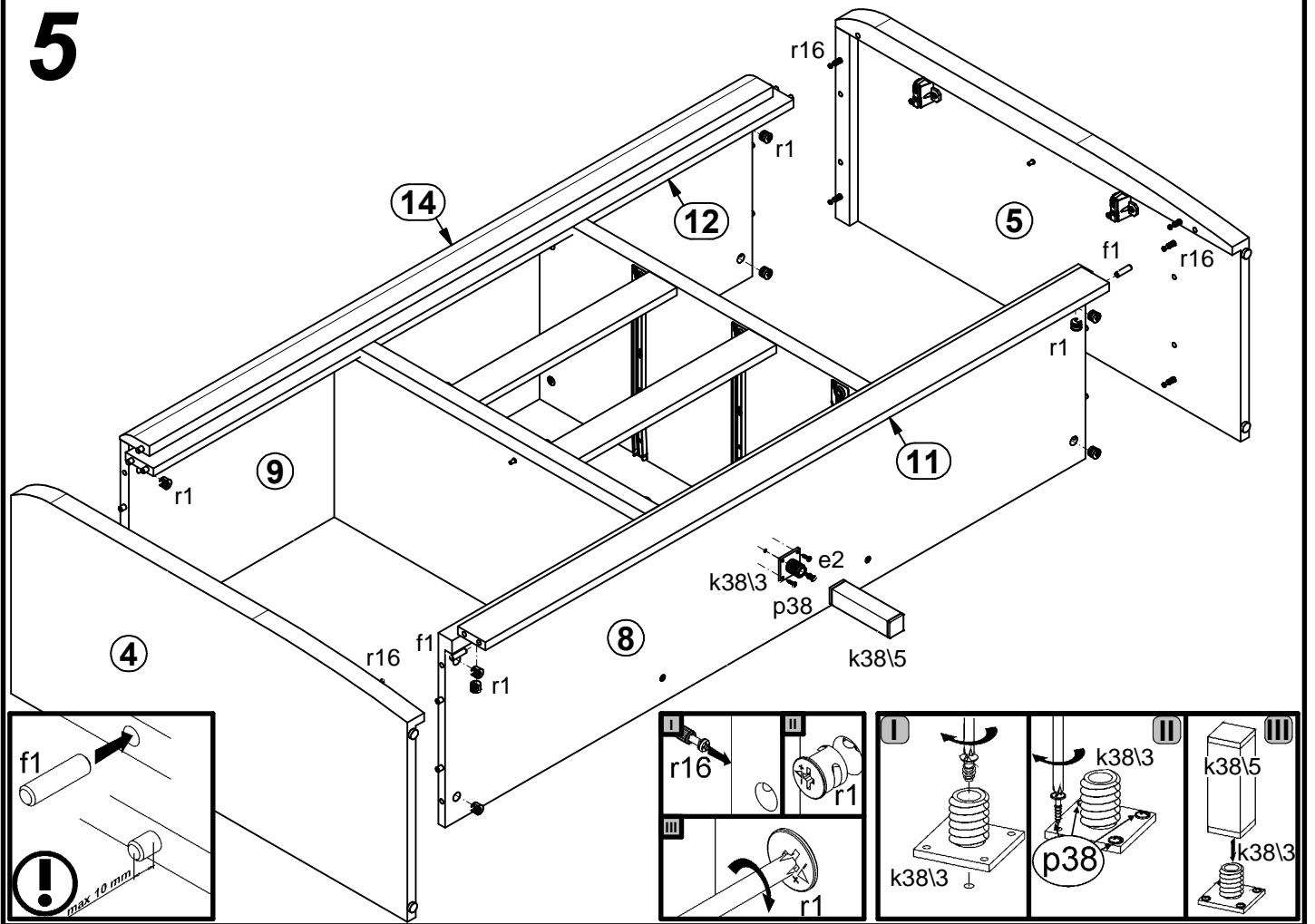
3



4



5



6

