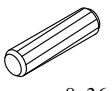
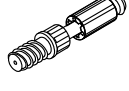
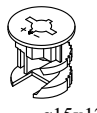

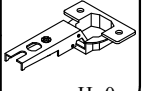

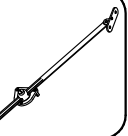
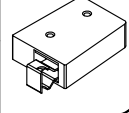
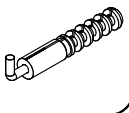
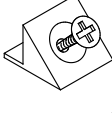



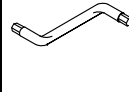
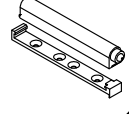
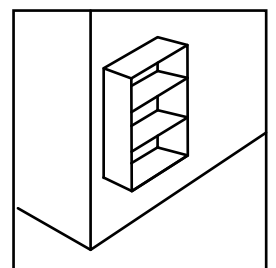
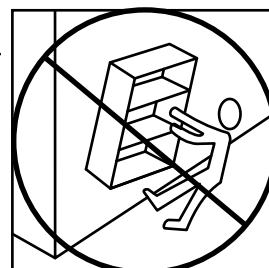
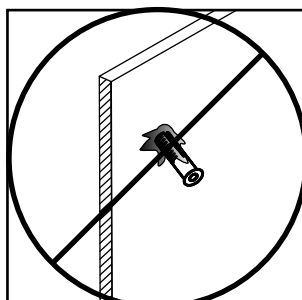
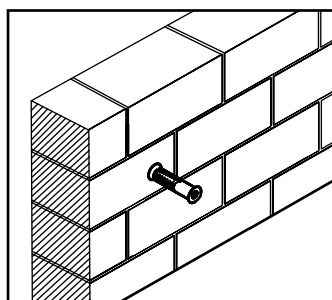
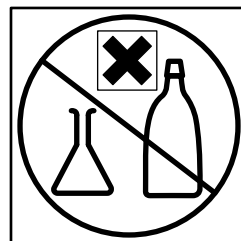
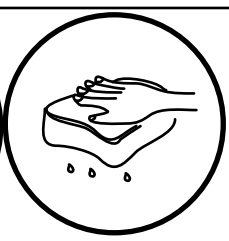
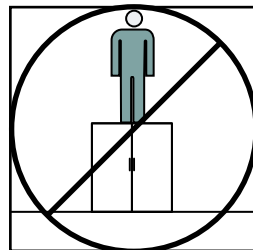
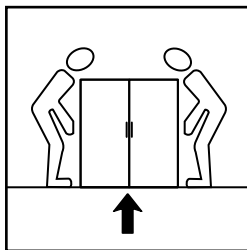
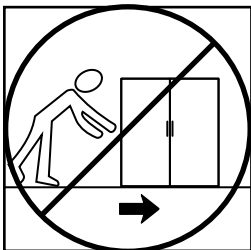
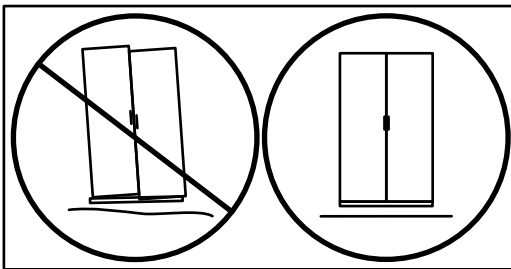
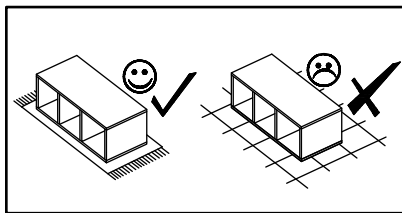
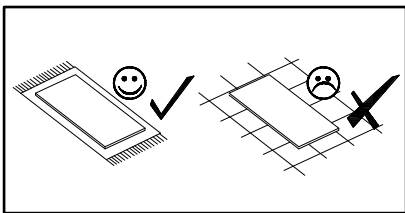
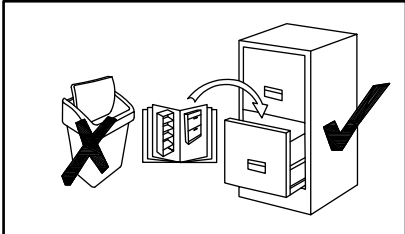
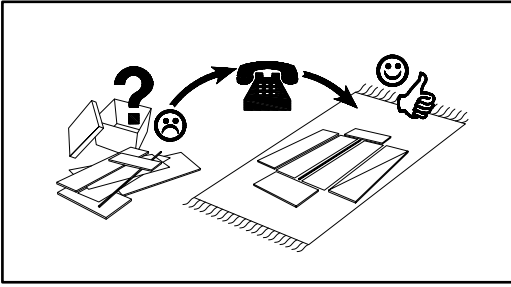
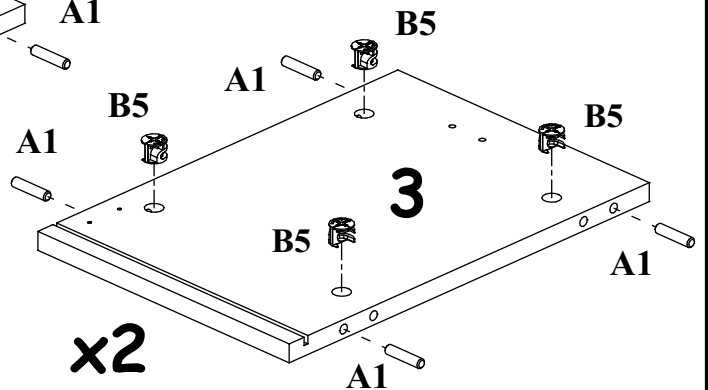
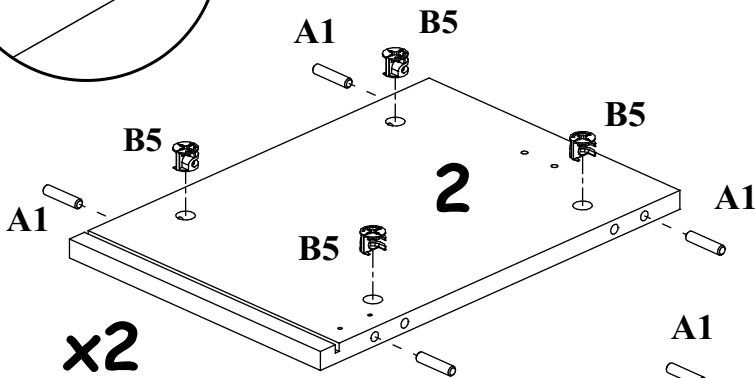
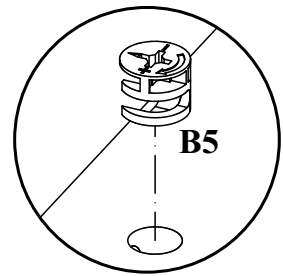
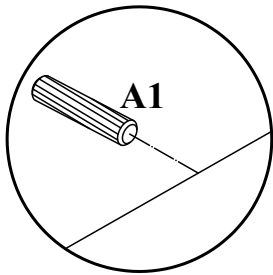
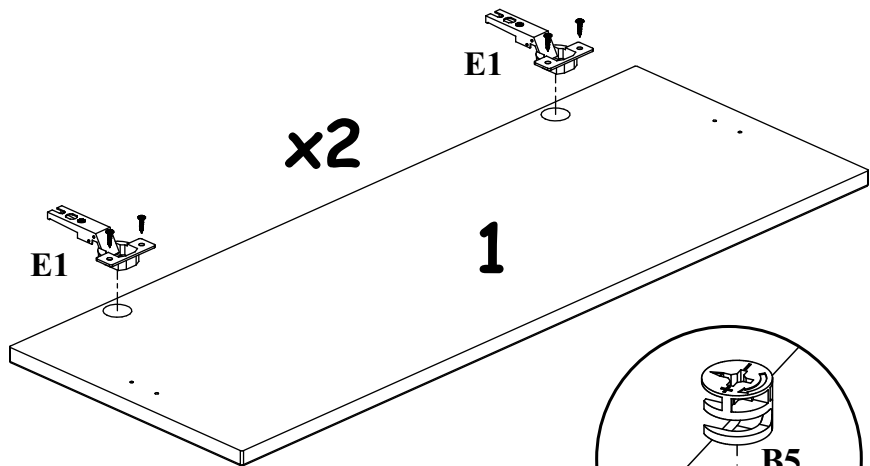
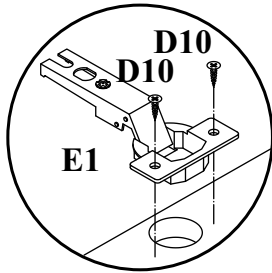
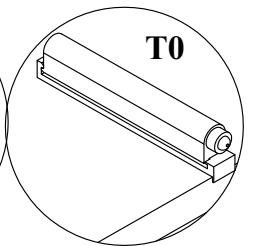
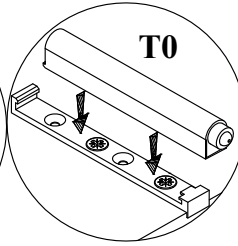
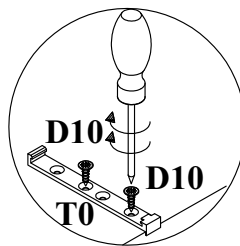
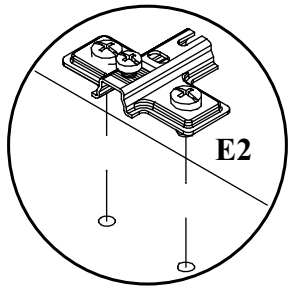
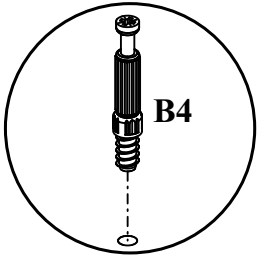
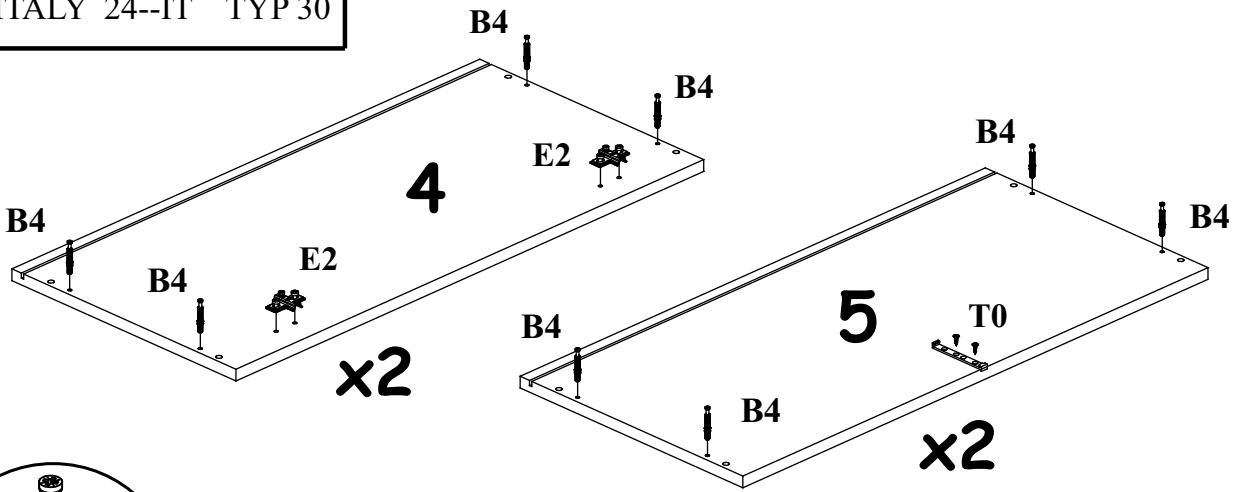


60 min

A1 X16  ø8x36	B4 X16 	B5 X16  ø15x12	G5 X16 	E1 X4  H=0	E2 X4  H=0
G21 X4 	ZR1 X4 	KR2 X4 	S1 X12 	D7 X12  USØ3x16	D6 X8  USØ3,5x30
D10 X20  USØ3,5x13	G2 X1 	T0 X2 			

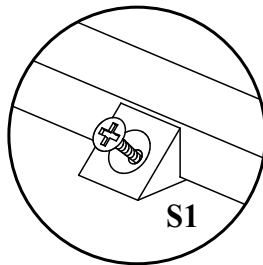
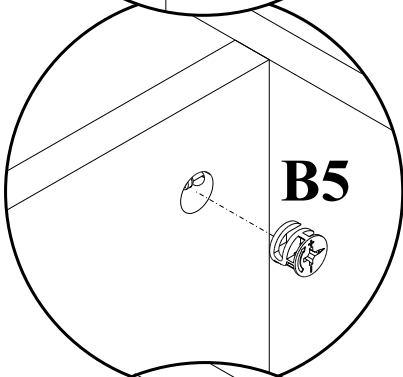
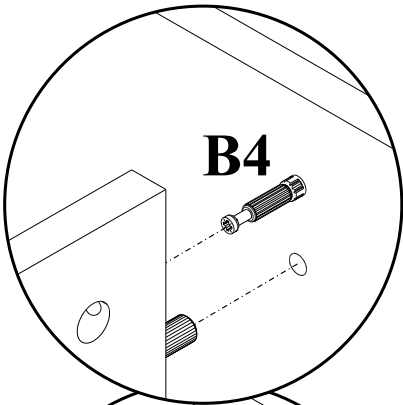
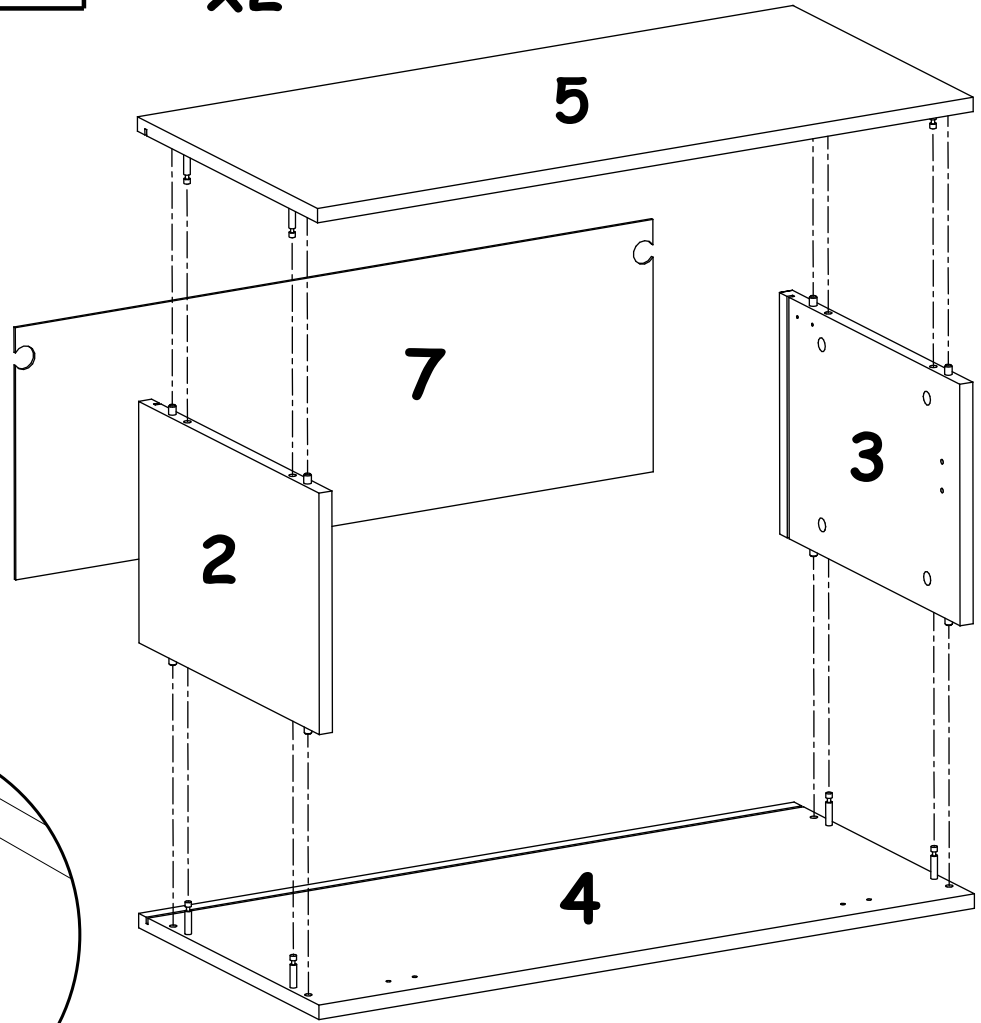


1

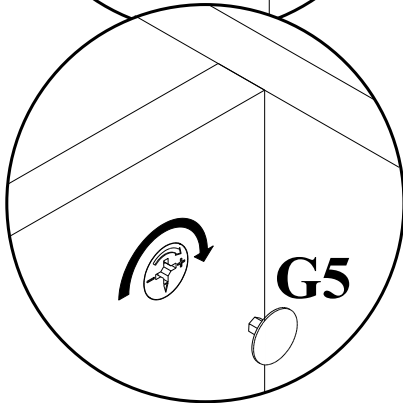


2

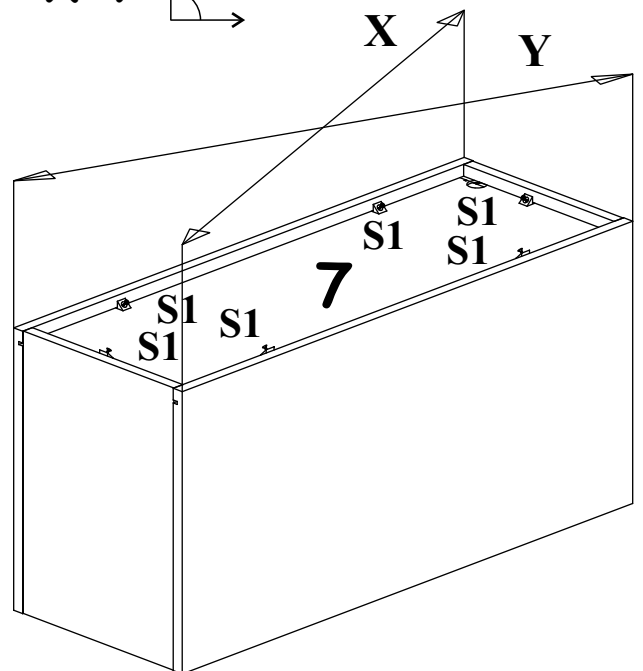
x2



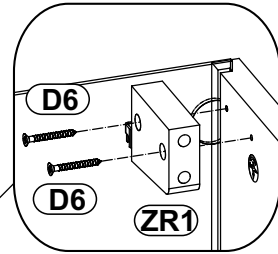
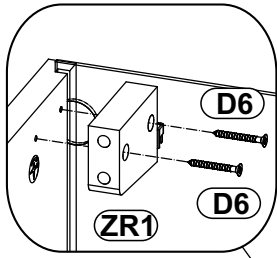
X=Y 90°



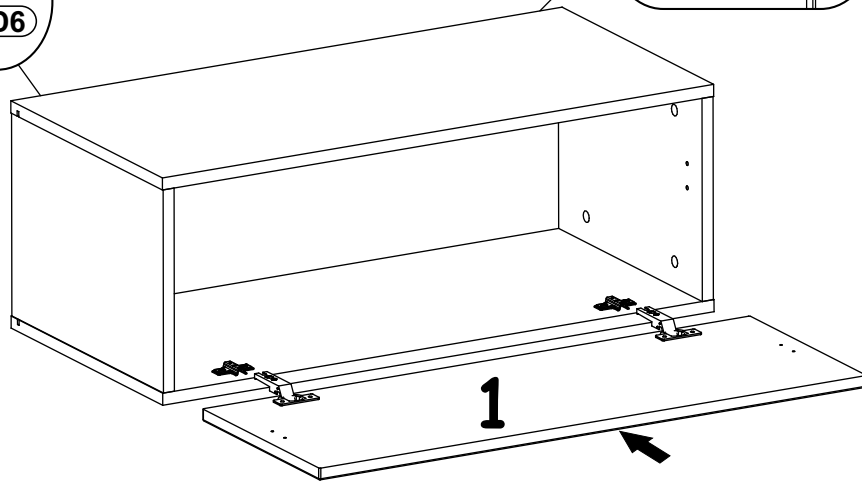
x2



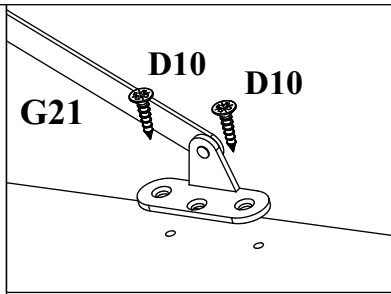
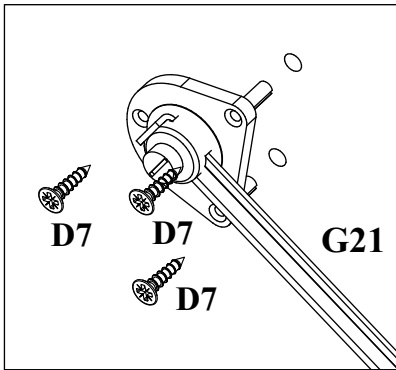
3



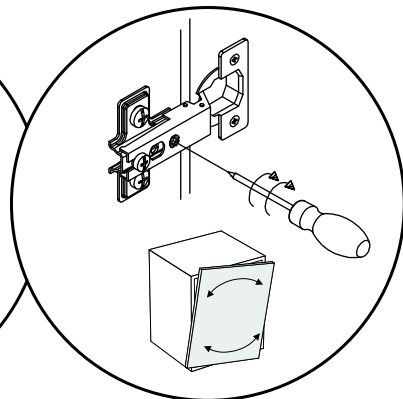
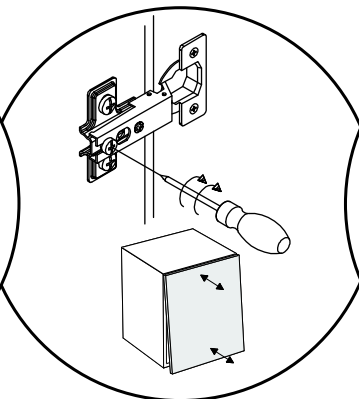
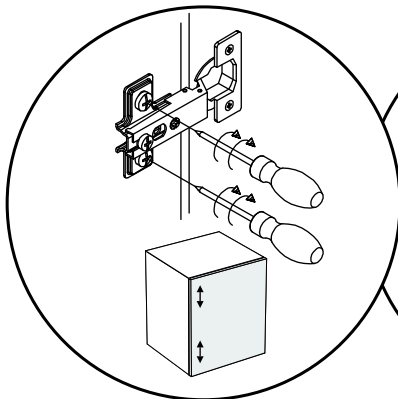
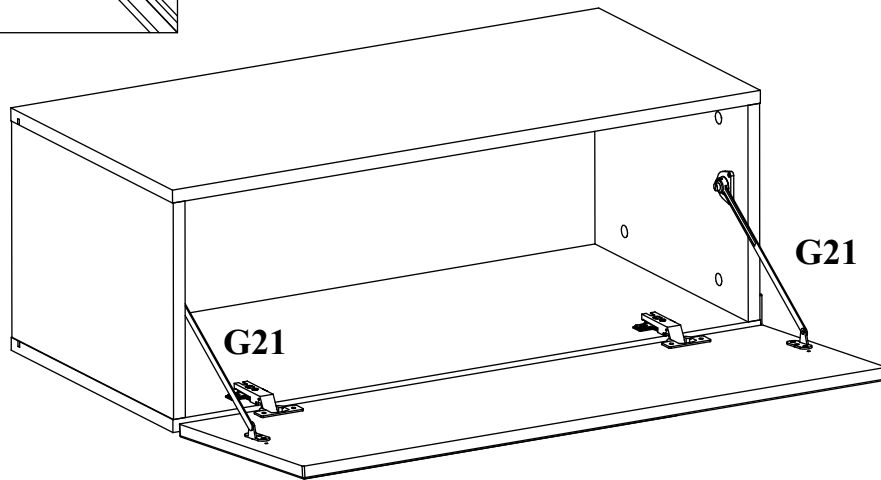
x2



4



x2



5

