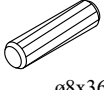
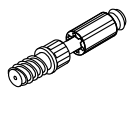
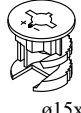

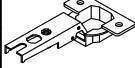
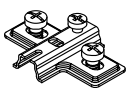

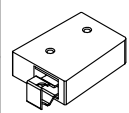
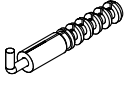
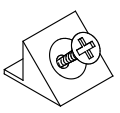




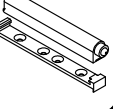
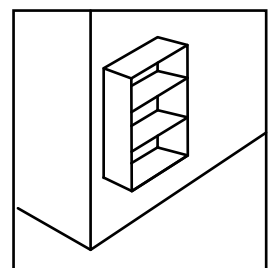
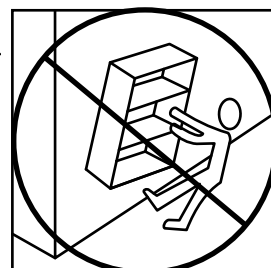
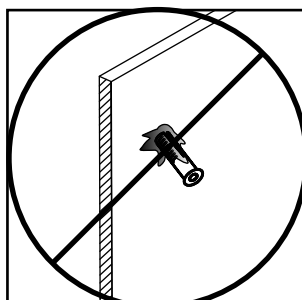
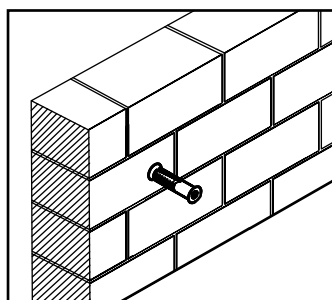
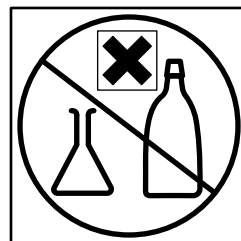
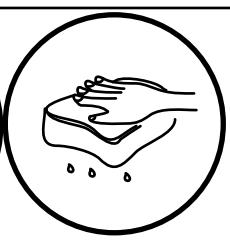
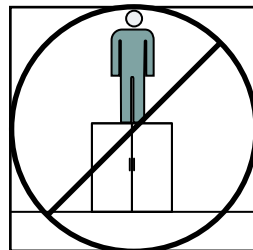
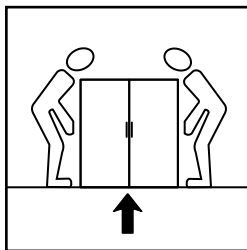
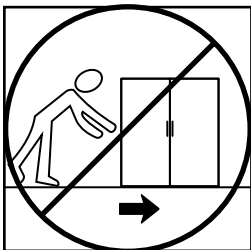
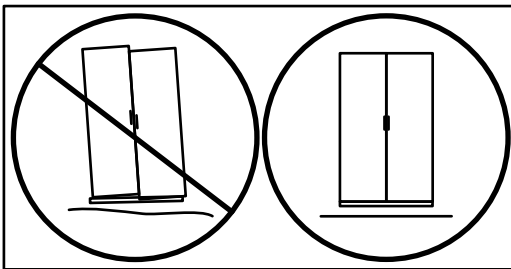
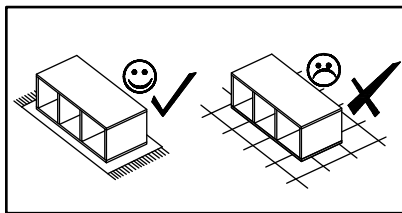
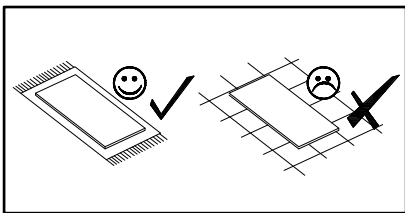
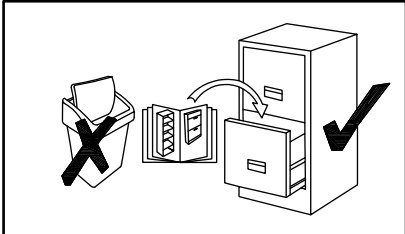
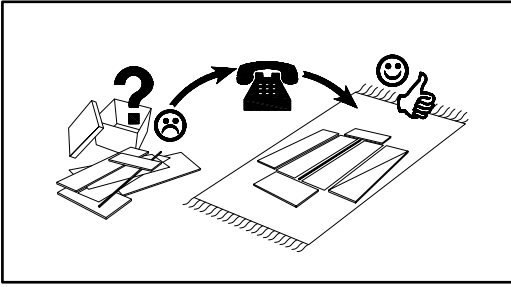
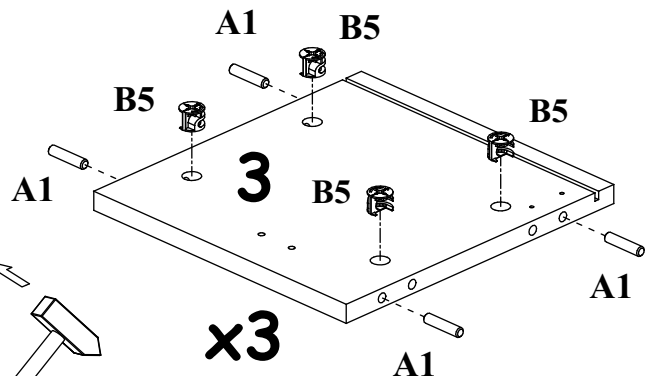
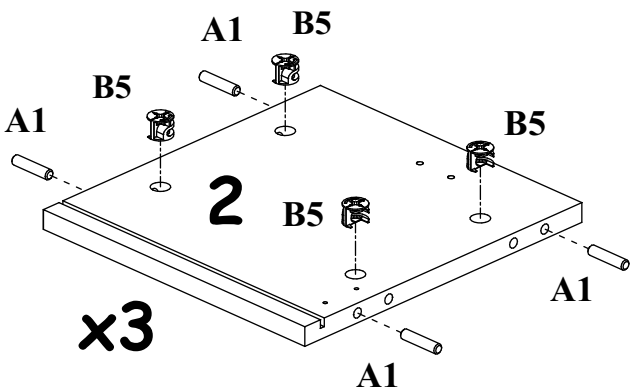
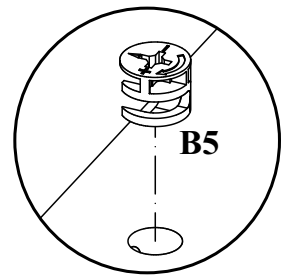
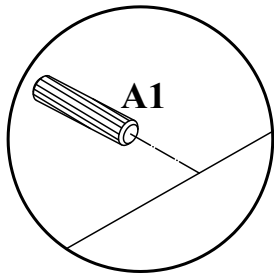
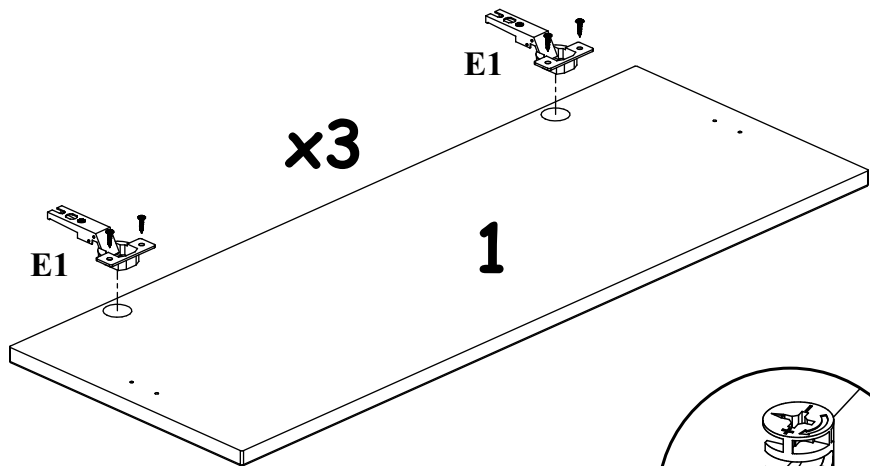
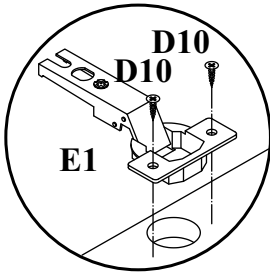
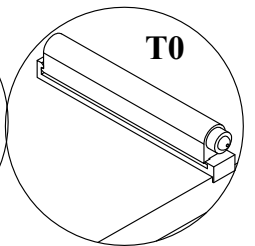
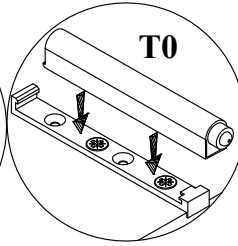
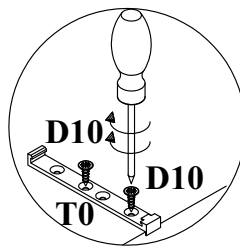
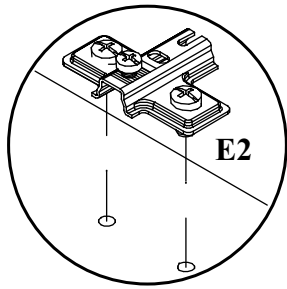
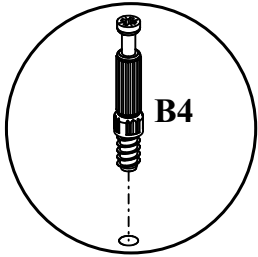
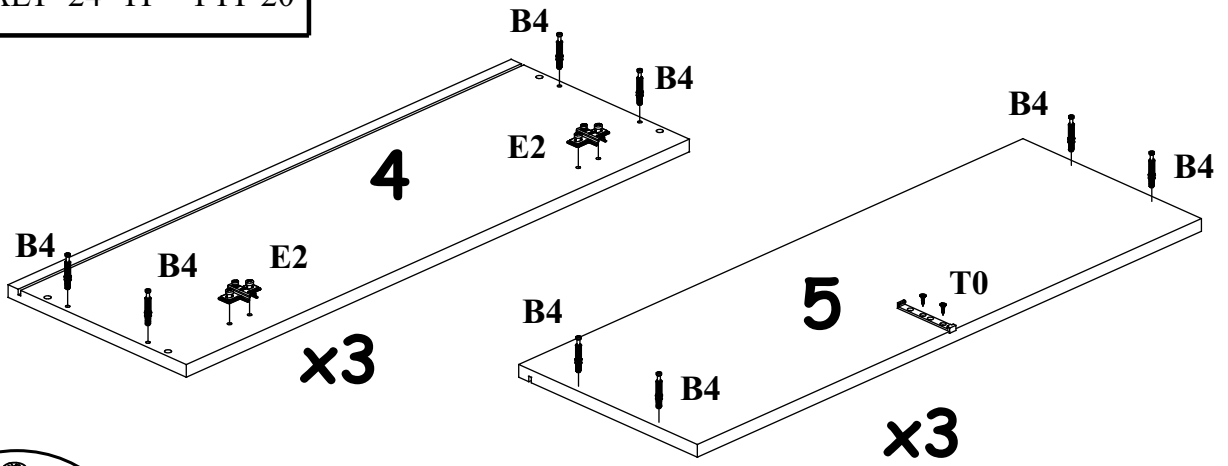


120 min

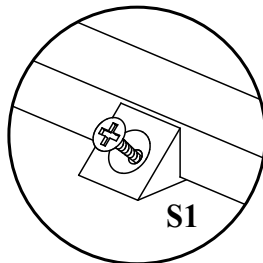
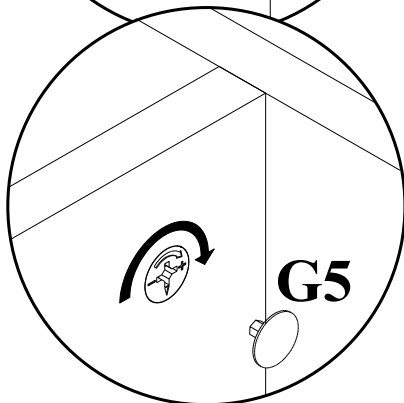
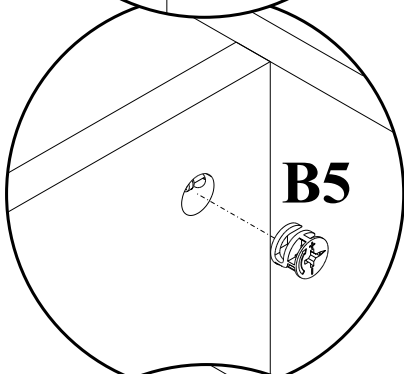
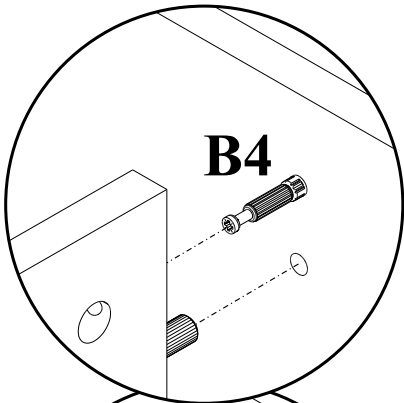
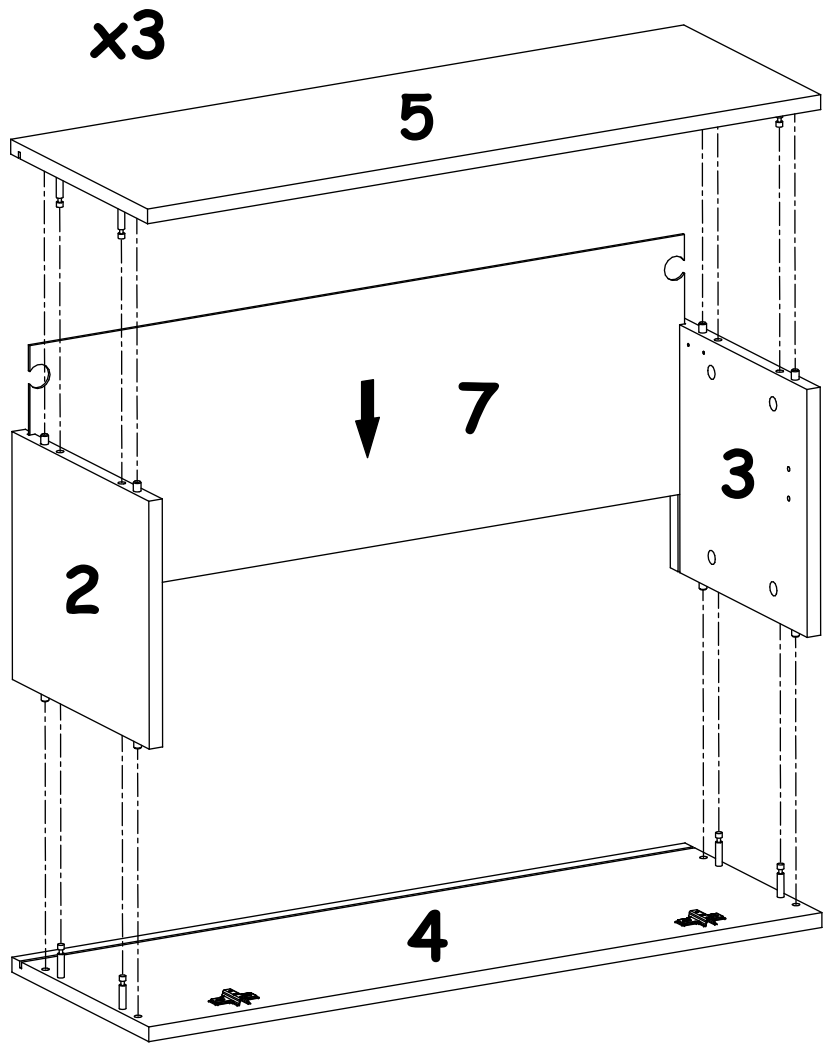
A1 X24  ø8x36	B4 X24 	B5 X24  ø15x12	G5 X24 	E1 X6  H=0	E2 X6  H=0
G21 X6 	ZR1 X6 	KR2 X6 	S1 X18 	D7 X18  USØ3x16	D6 X12  USØ3,5x30
D10 X30  USØ3,5x13	G2 X1 	T0 X3 			



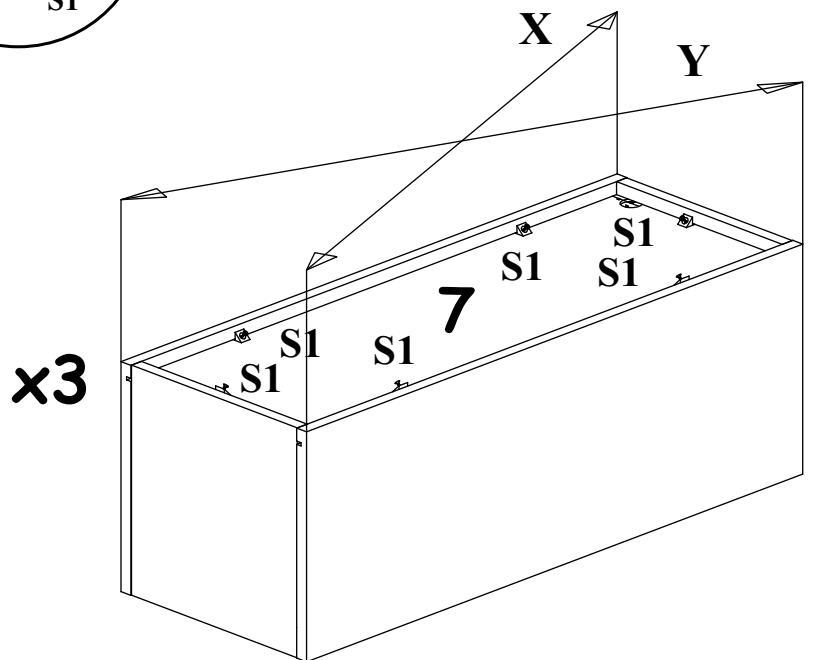
1



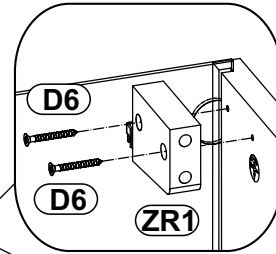
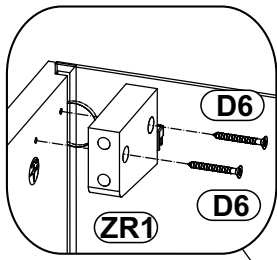
2



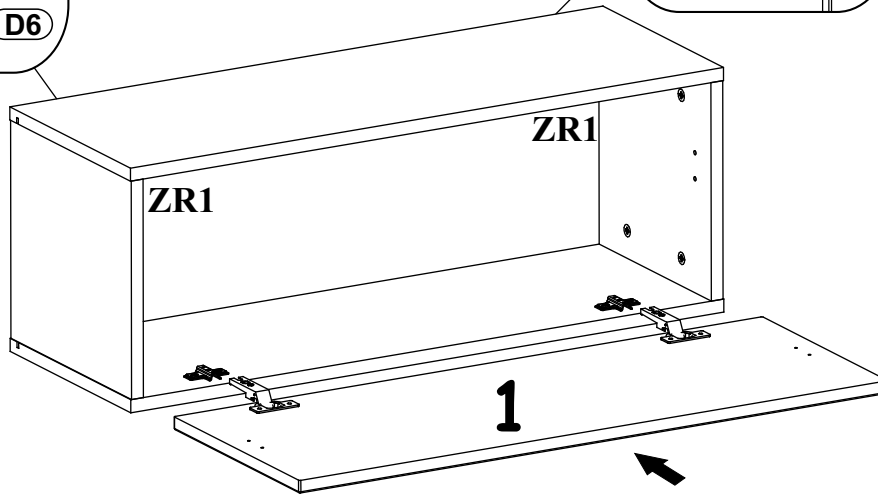
$X=Y$ 90°



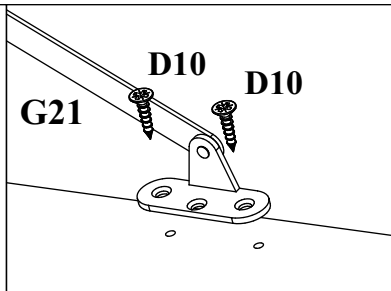
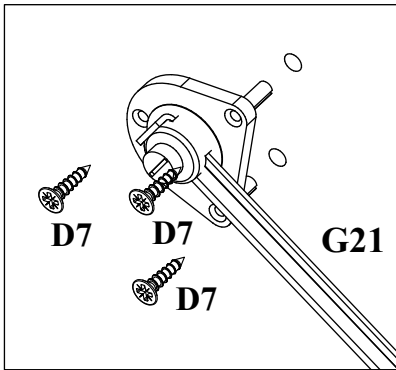
3



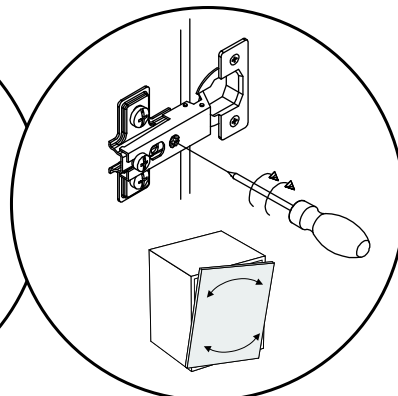
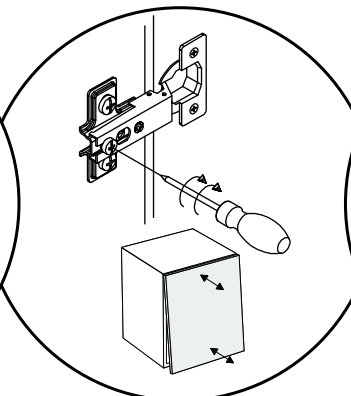
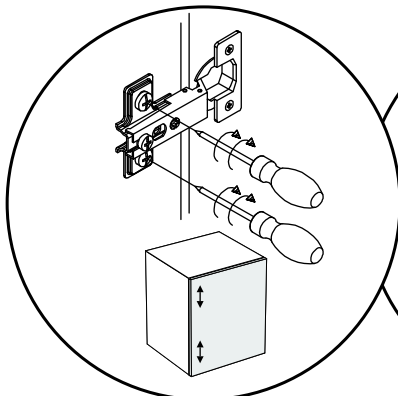
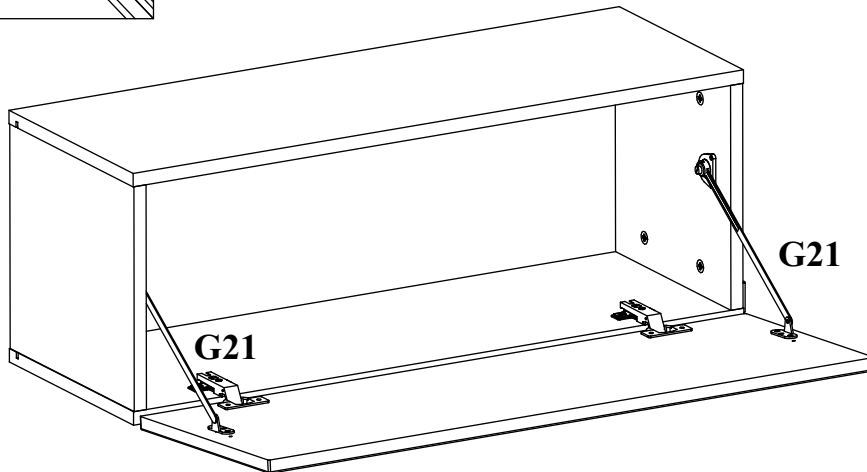
x3



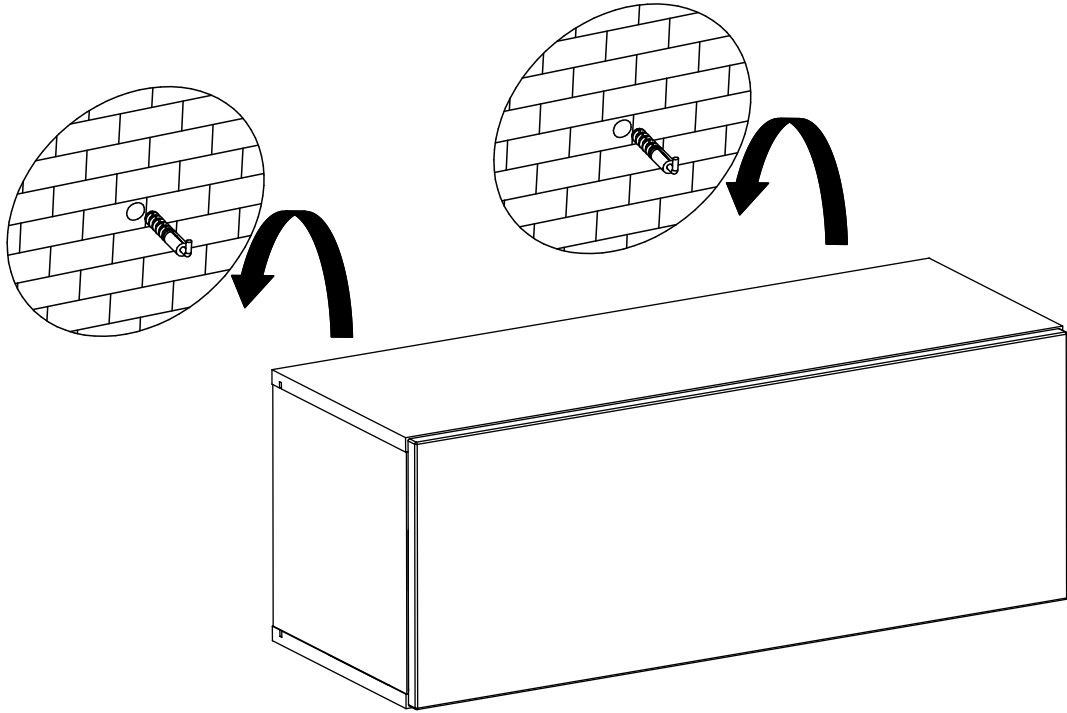
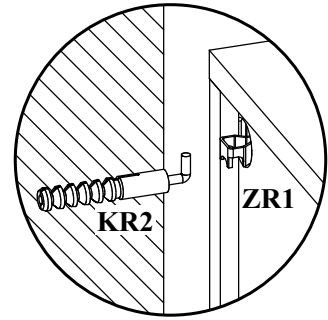
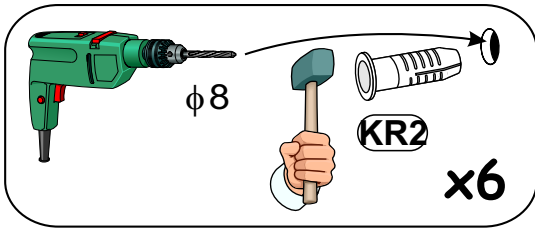
4



x3



5



x3

