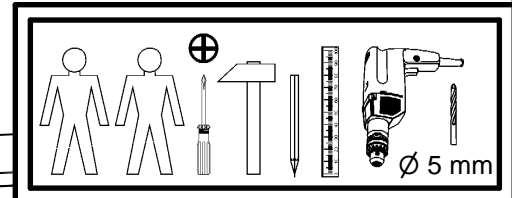
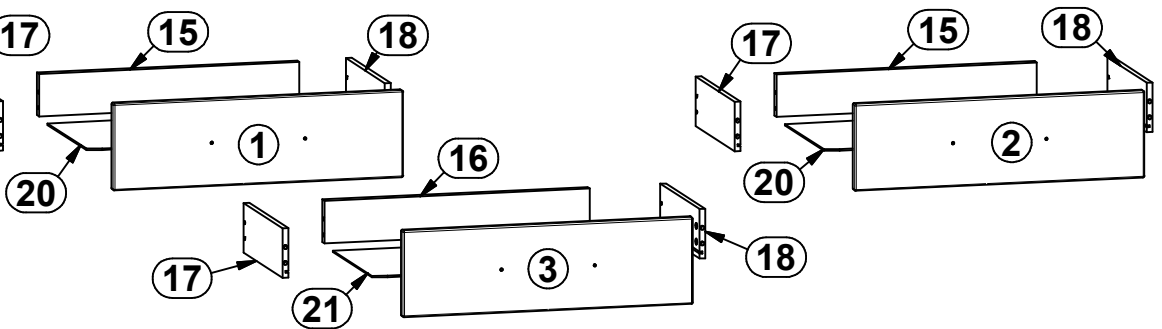
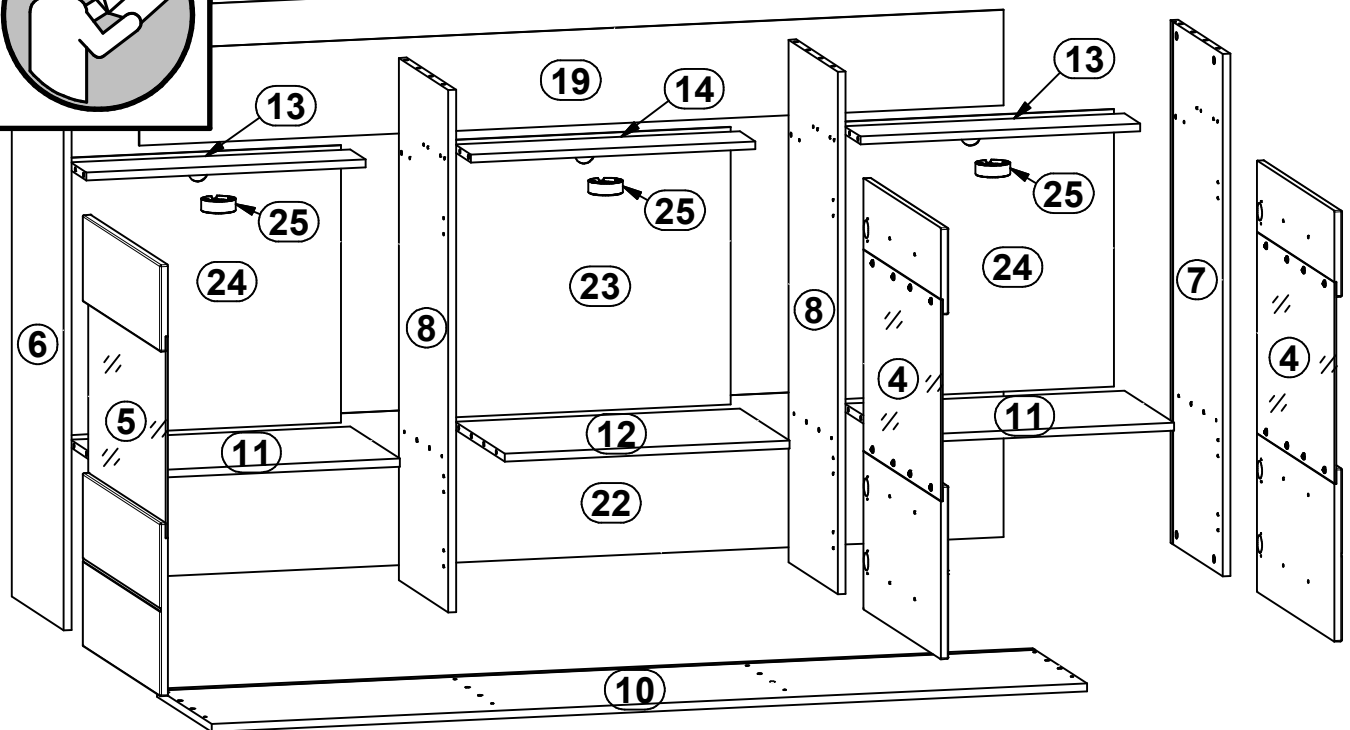


S117-KOM3W3S/14/18-A

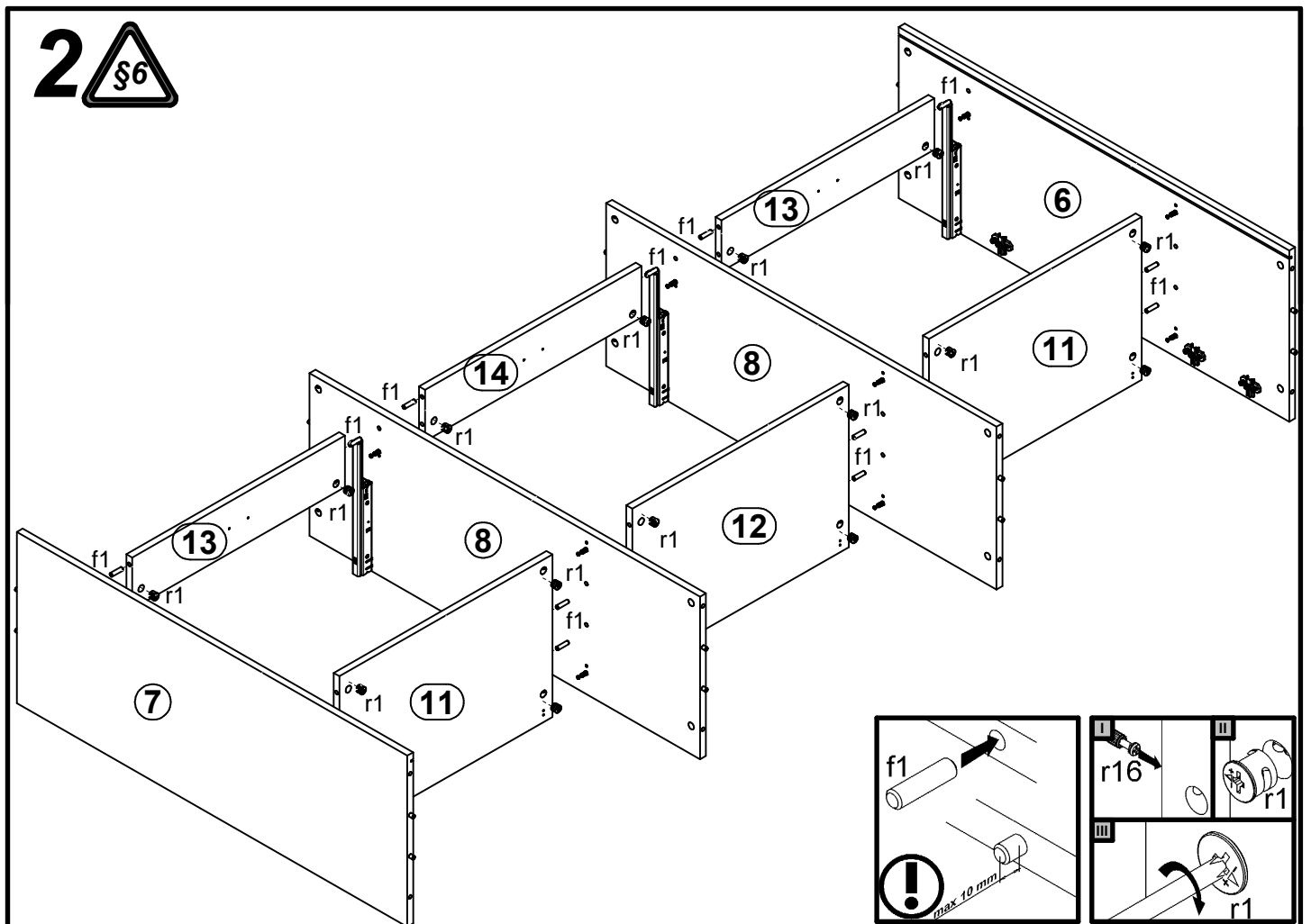
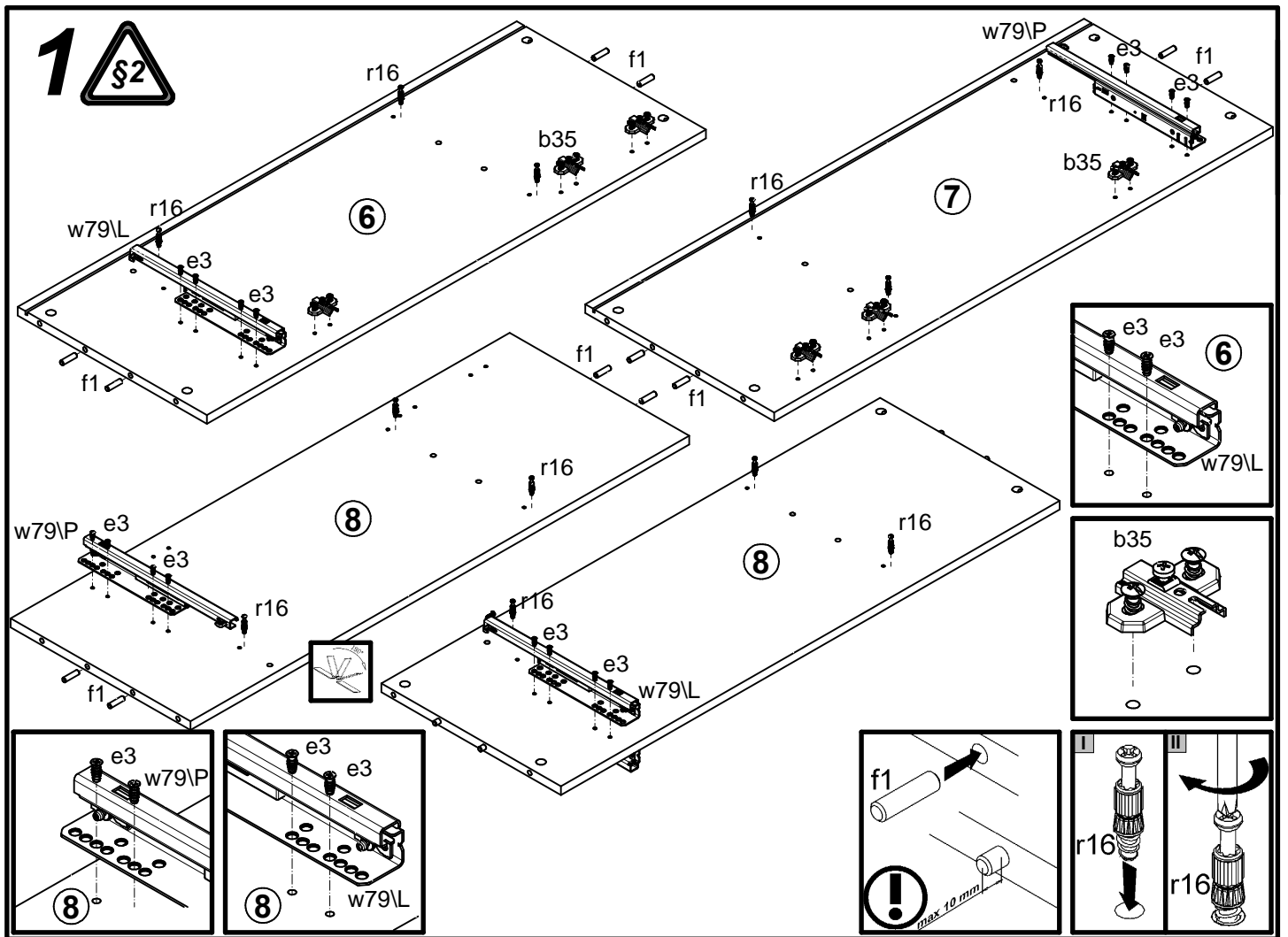
A	B	C	D	A	B	C	D		
1	S117-006	596	175	4/4	14	S117-404	585	120	3/4
2	S117-007	596	175	4/4	15	S117-506	535	86	3/4
3	S117-008	596	175	4/4	16	S117-509	545	86	3/4
4	S117-012A	871	596	4/4	17	S117-510	300	100	3/4
5	S117-013A	871	596	4/4	18	S117-511	300	100	3/4
6	S117-115A	1055	400	2/4	19	S117-916	1777	193	1/4
7	S117-116A	1055	400	2/4	20	S117-917	545	306	3/4
8	S117-117A	1055	380	2/4	21	S117-918	555	306	3/4
9	S117-212A	1800	418	1/4	22	S117-919	1777	312	1/4
10	S117-213A	1800	418	1/4	23	S117-920	601	560	4/4
11	S117-308A	575	380	3/4	24	S117-921	588	560	4/4
12	S117-309A	585	380	3/4	25	qb29\3			2/4
13	S117-403	575	120	3/4					



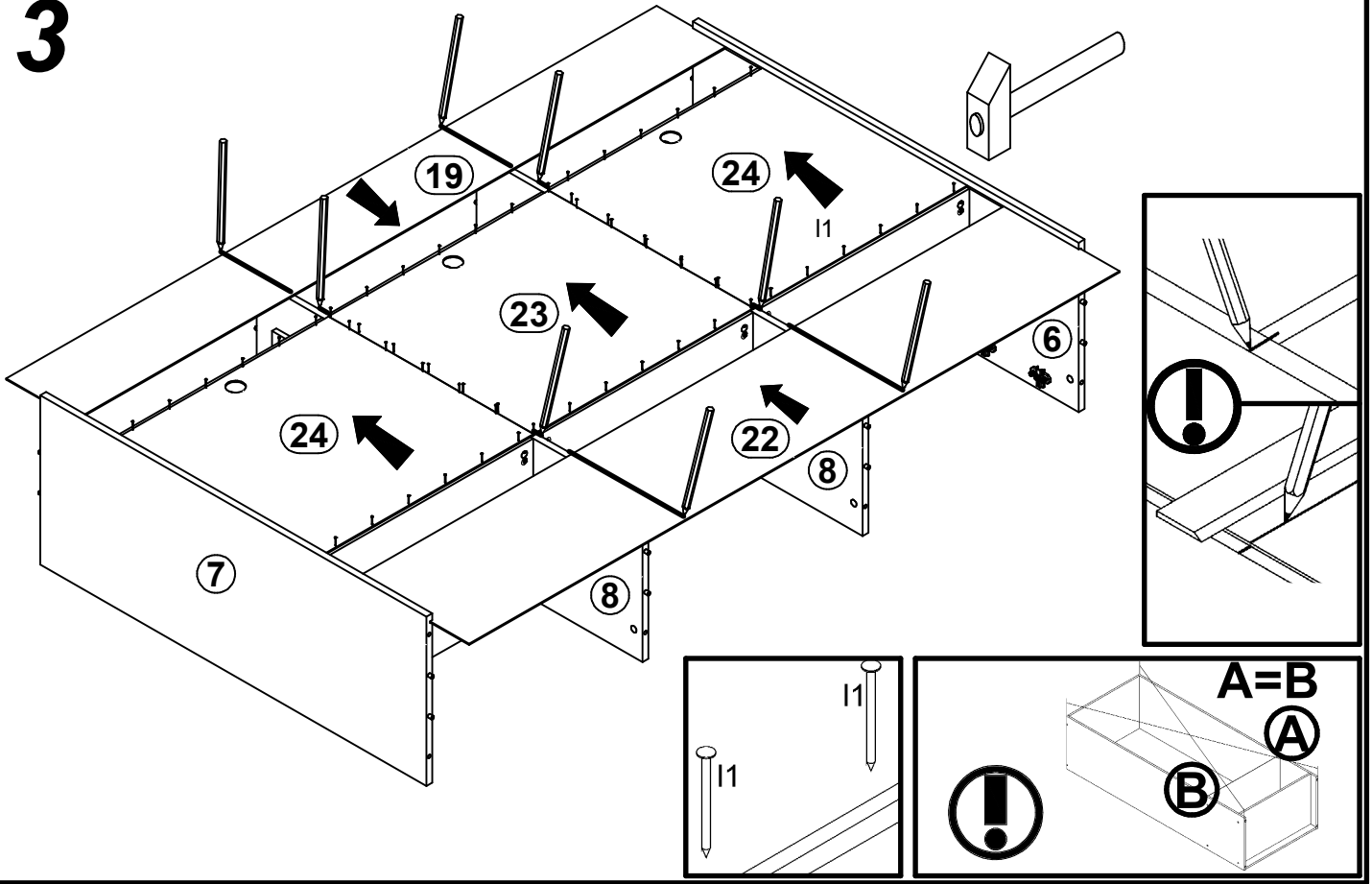
9



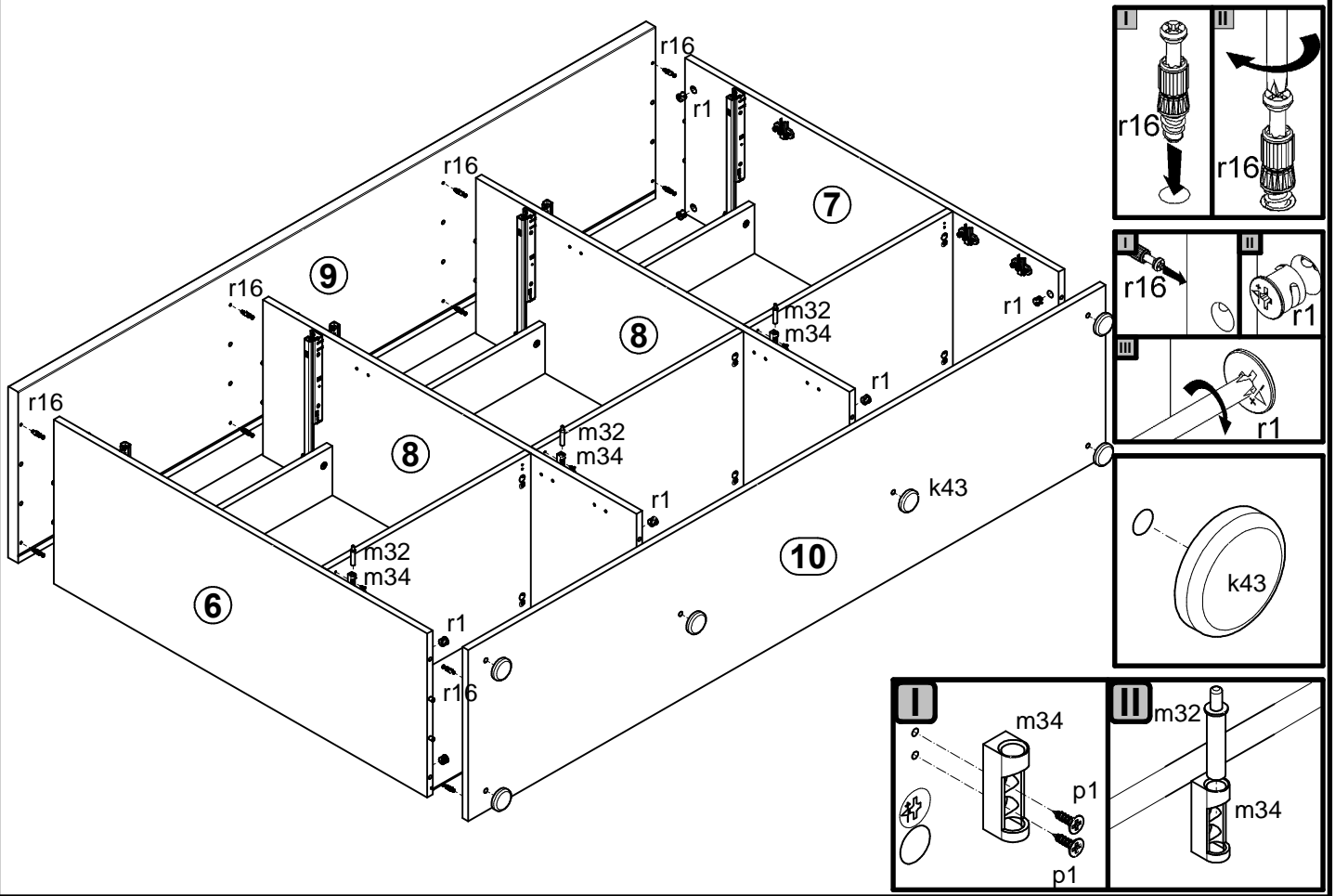
6x a44	3x a68	9x b35	6x c223\1 216mm	24x e3 φ6x13 mm	34x f1 φ8x30 mm	12x f25 φ6,5x40 mm	6x k43	150x l1
14x l2	3x m32	3x m34	6x o21 silikon	3x o48\1	3x o48\2	6x p1 φ3,5x13 mm	3x p25 φ3,5x16 mm	3x p35 φ3,5x10 mm
18x p51 φ3,5x15 mm	6x p54 φ3x12 mm	12x p114	34x r1 φ15x12mm #16	12x r15 φ12x10,5mm #12	46x r16	20x s2 φ16	3x s53	3x t25 300 mm
3x w79\L 300 mm	3x w79\P 300 mm	1x n26\1	10x p38 φ3,5x16 mm					



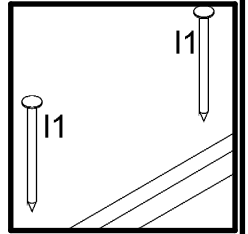
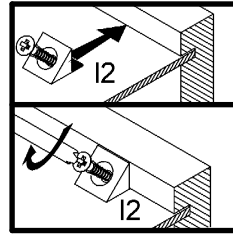
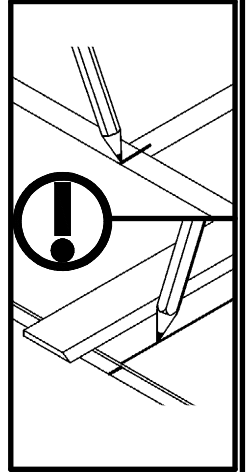
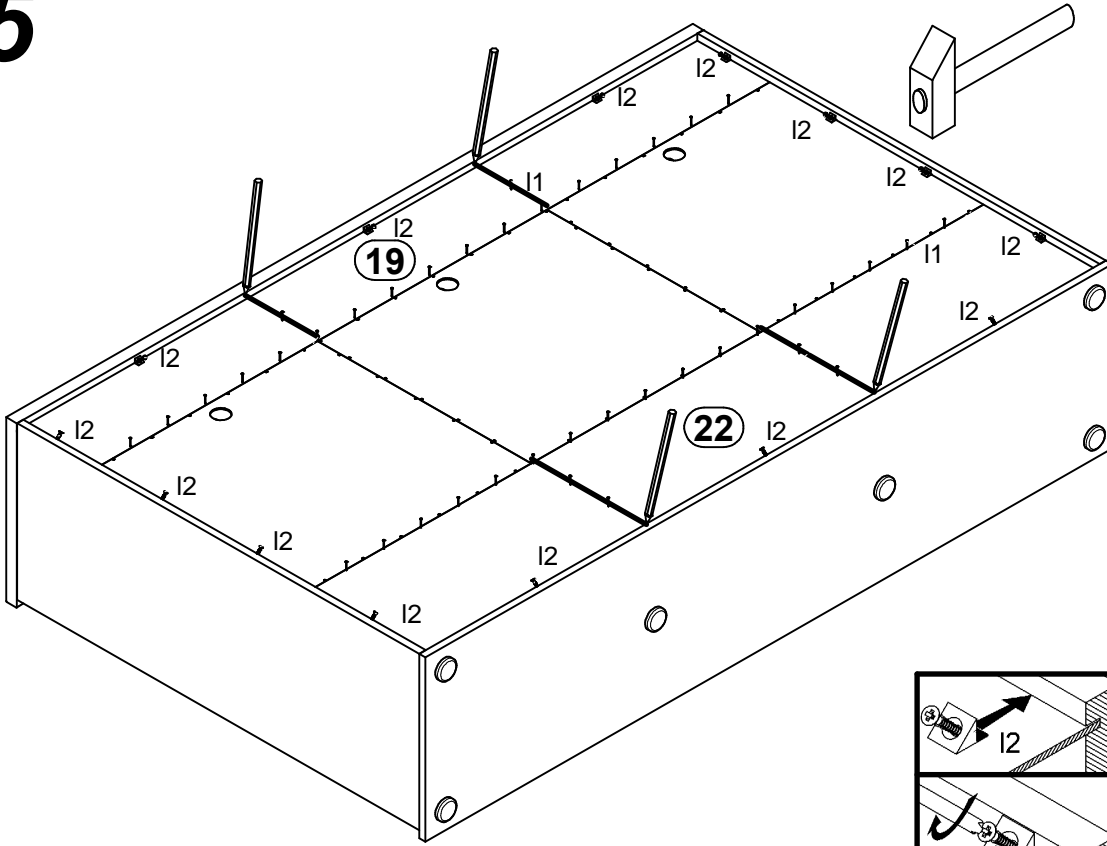
3



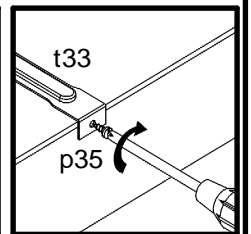
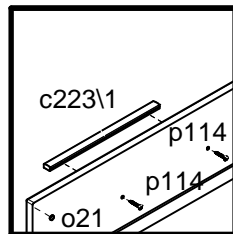
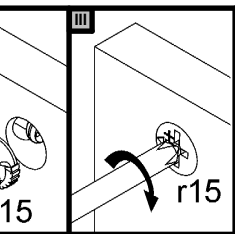
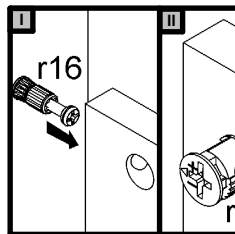
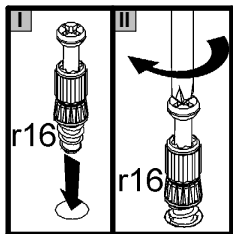
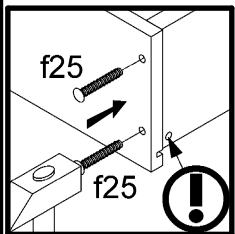
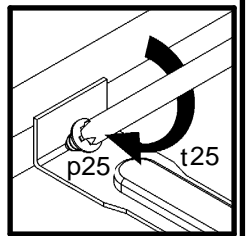
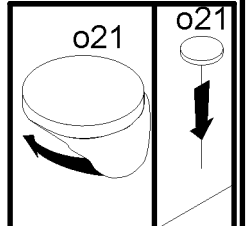
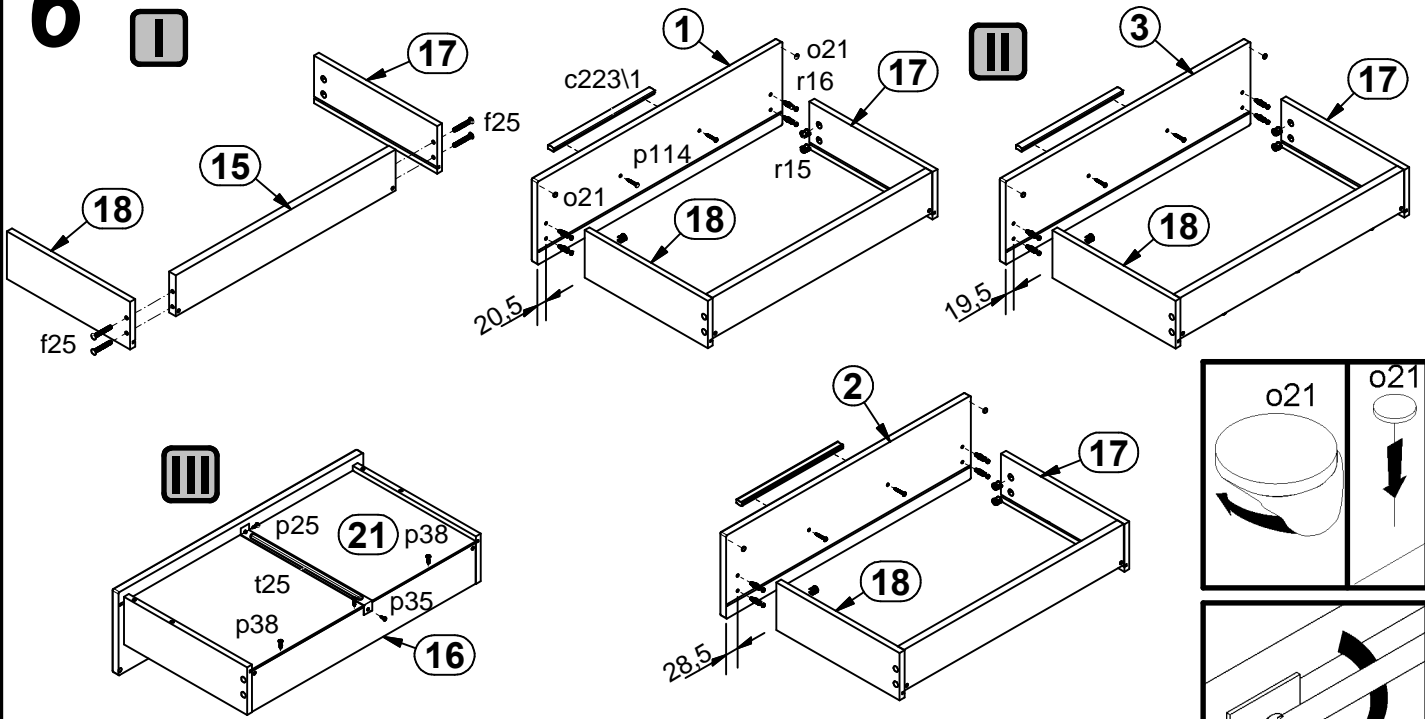
4



5



6



7

