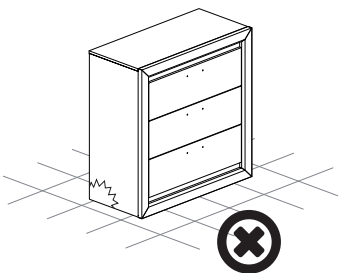
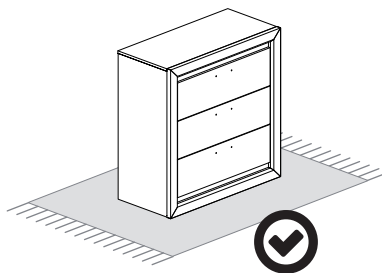
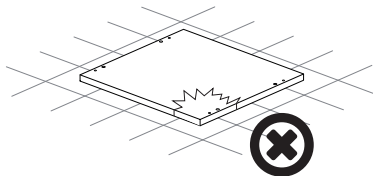
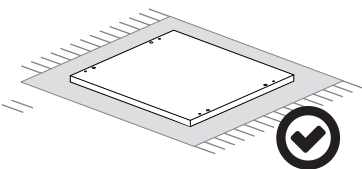
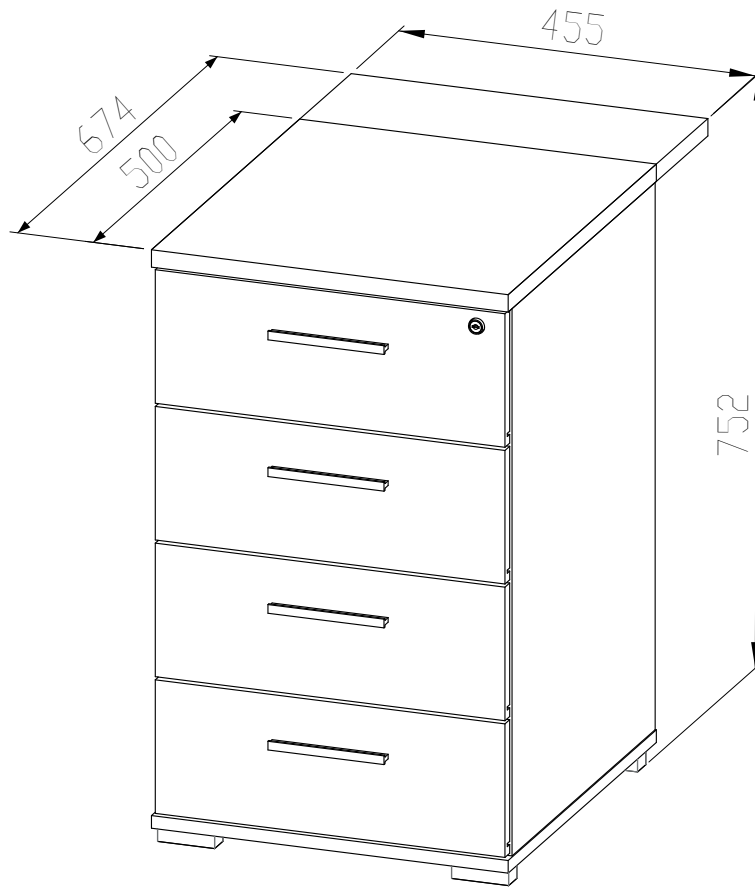
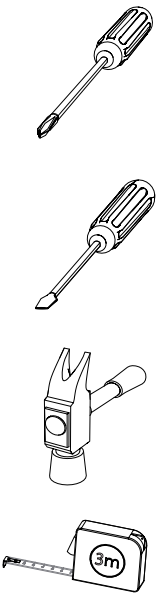
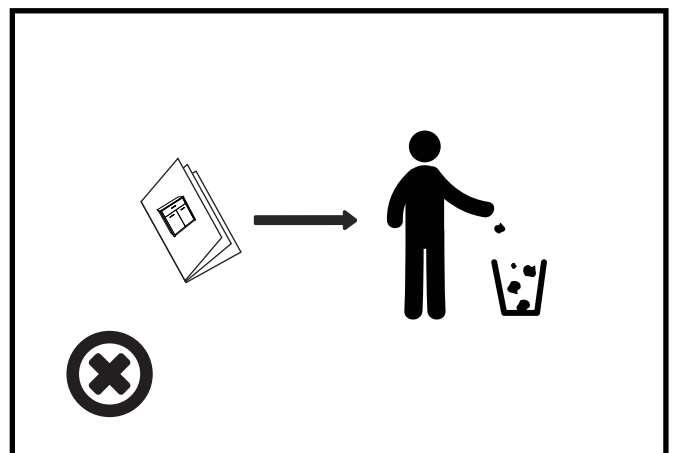
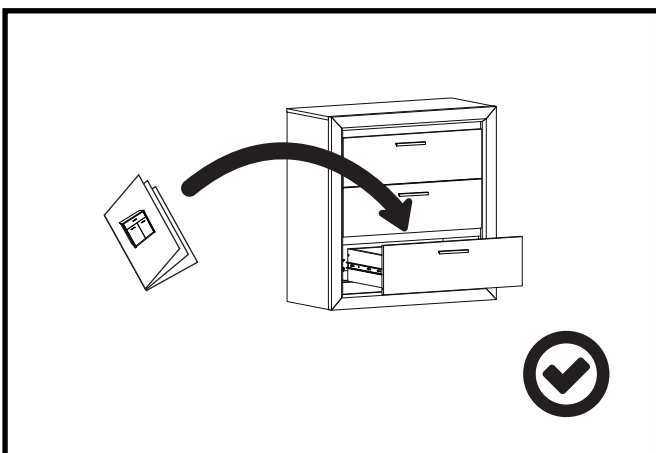
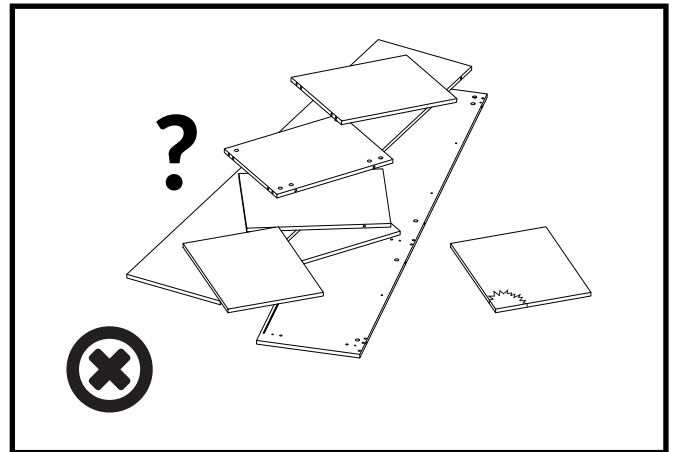
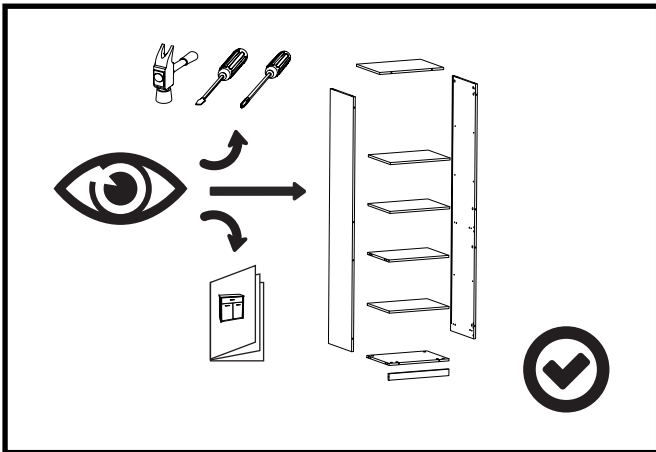
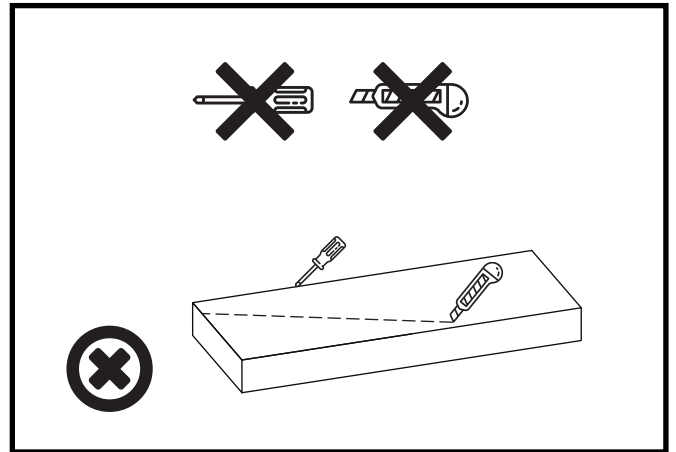
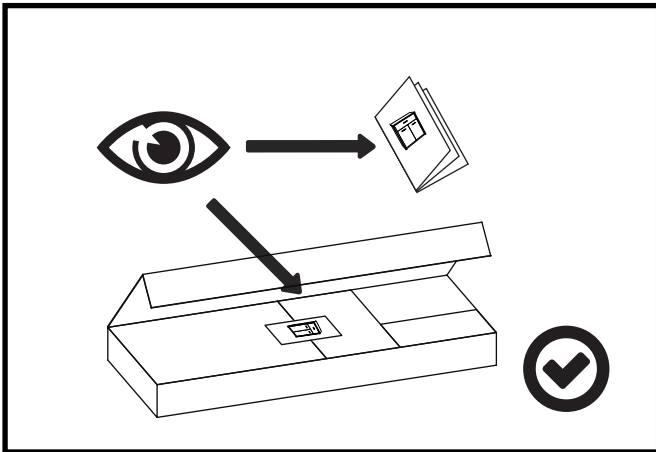
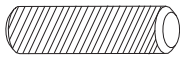
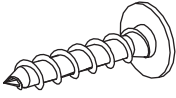
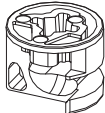

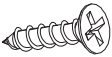


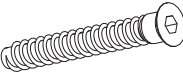
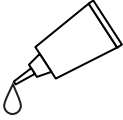
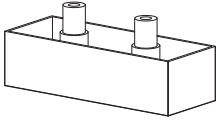

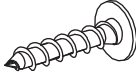
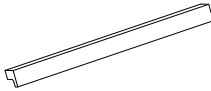
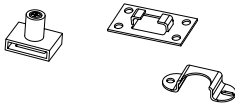

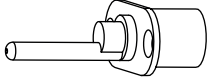


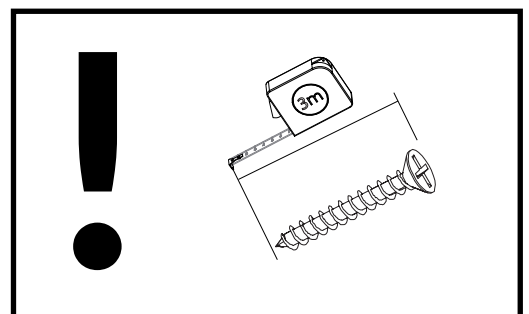
# OPTIMAL 22/23



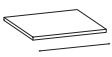

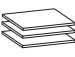


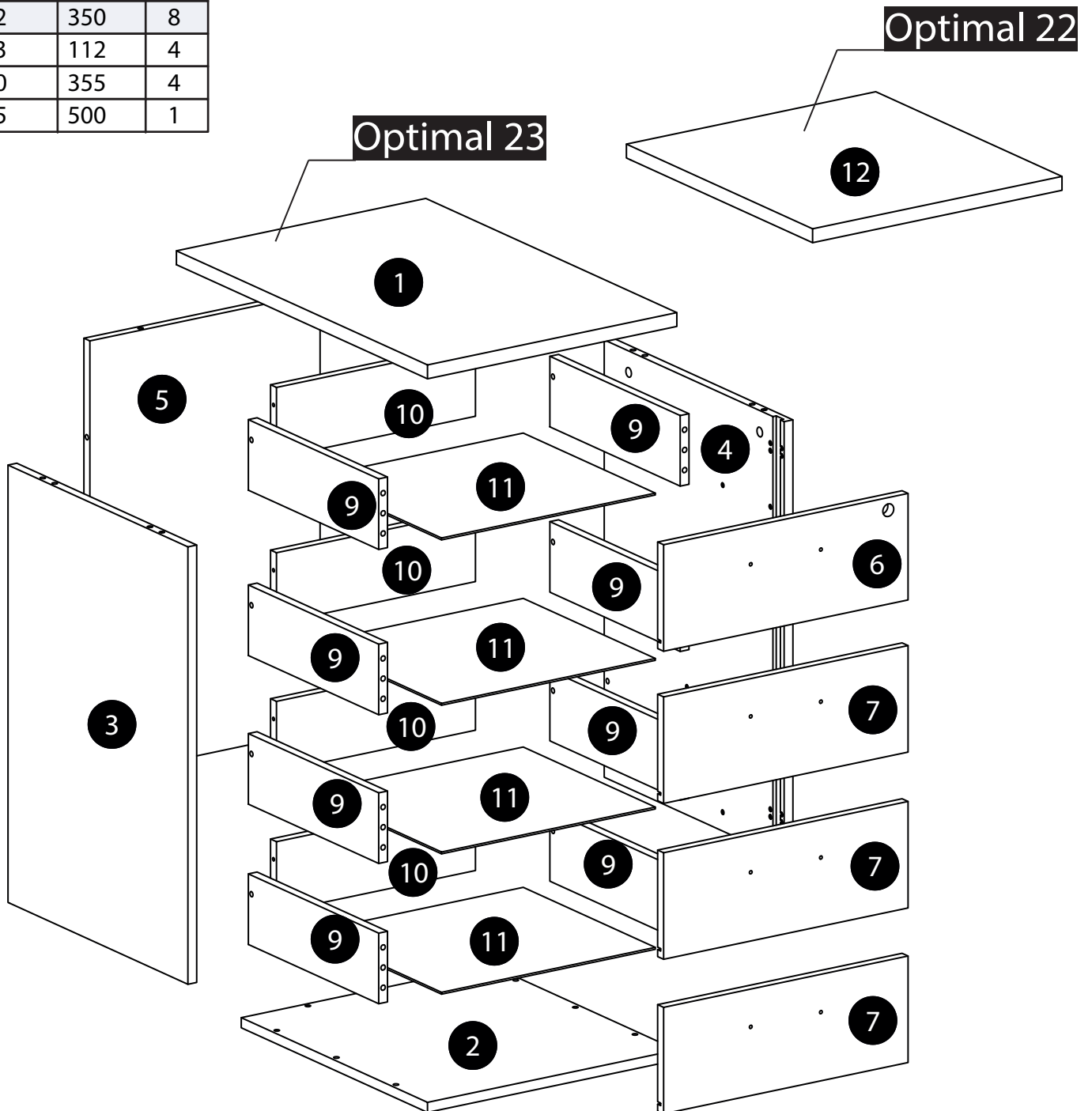
# OPTIMAL 22/23

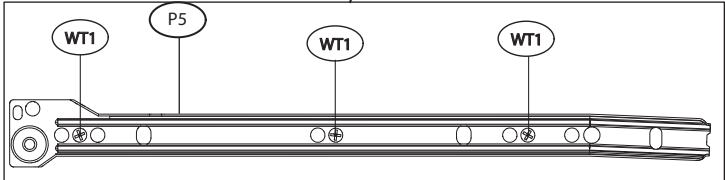
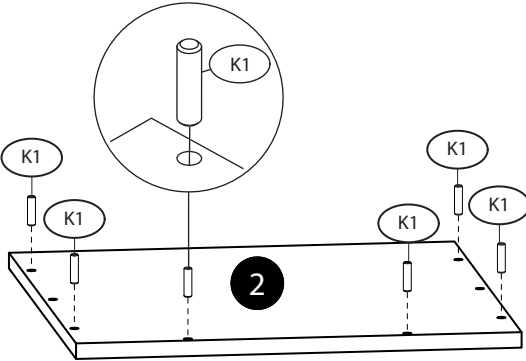
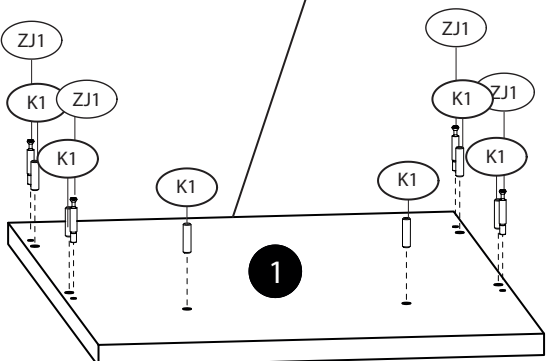
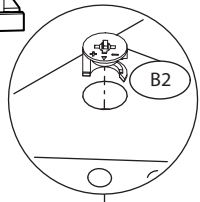
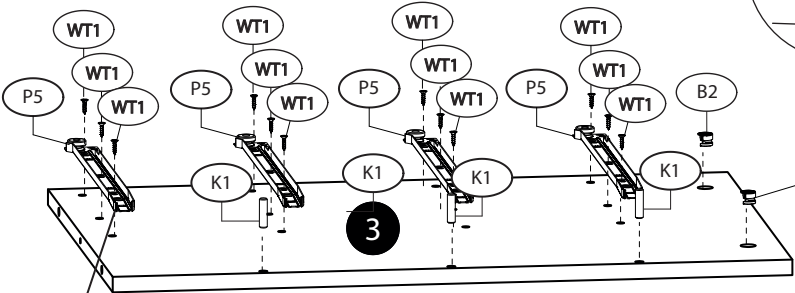
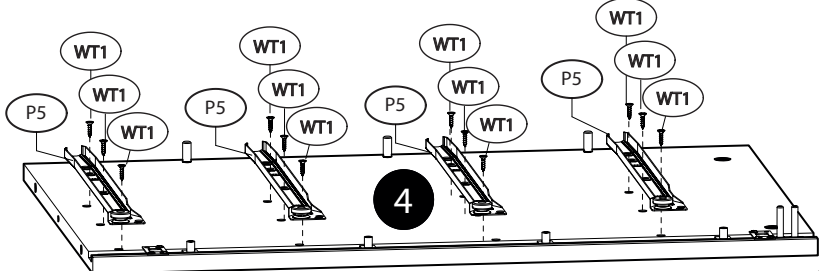
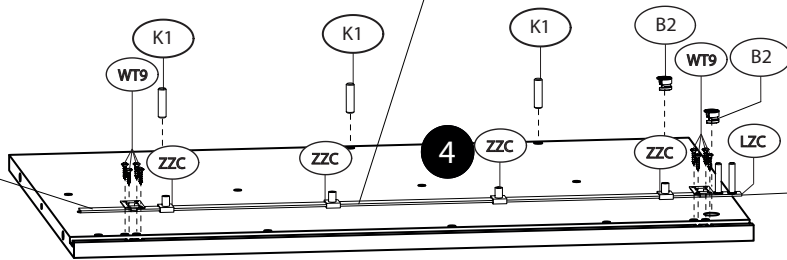
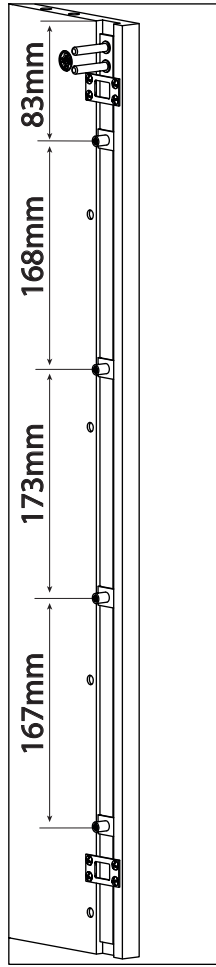
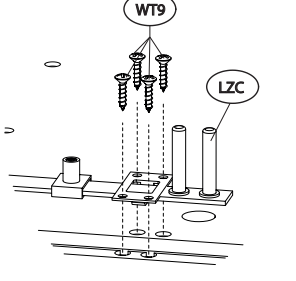
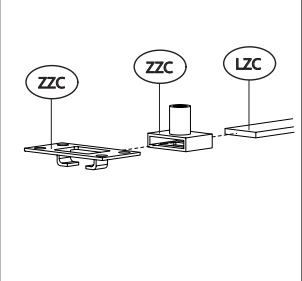
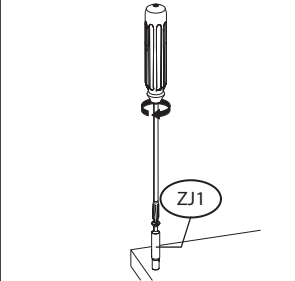
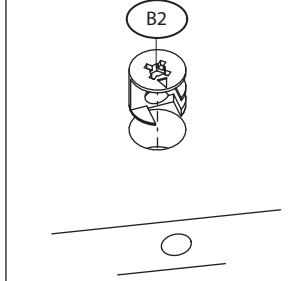
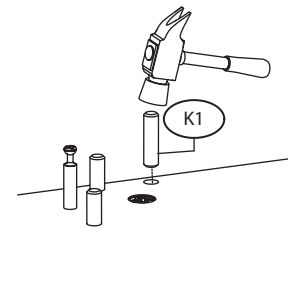
<p><b>K1</b> x 34</p> 	<p><b>WT31</b> x 8 4x25</p> 	<p><b>B2</b> x 12</p> 
<p><b>ZS2</b> x 8</p> 	<p><b>WT1</b> x 50 3,5x15</p> 	<p>x 1</p> 
<p><b>ZJ1</b> x 12</p> 	<p><b>KT1</b> x 10 6,3x50</p> 	<p><b>KL</b> x 1</p> 
<p><b>ST2</b> x 4</p> 	<p><b>GW1</b> x 20</p> 	<p><b>WT9</b> x 16 3x16</p> 
<p><b>UO</b> x 4</p> 	<p><b>ZZC</b> x 4</p> 	<p><b>LZC</b> x 1</p> 
<p><b>ZC1</b> x 1</p> 		

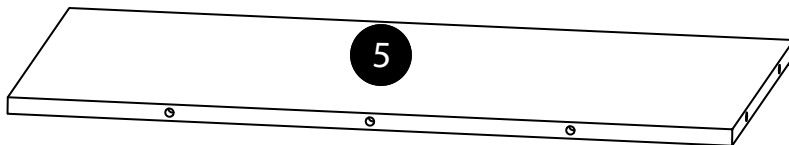
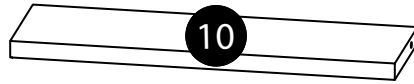
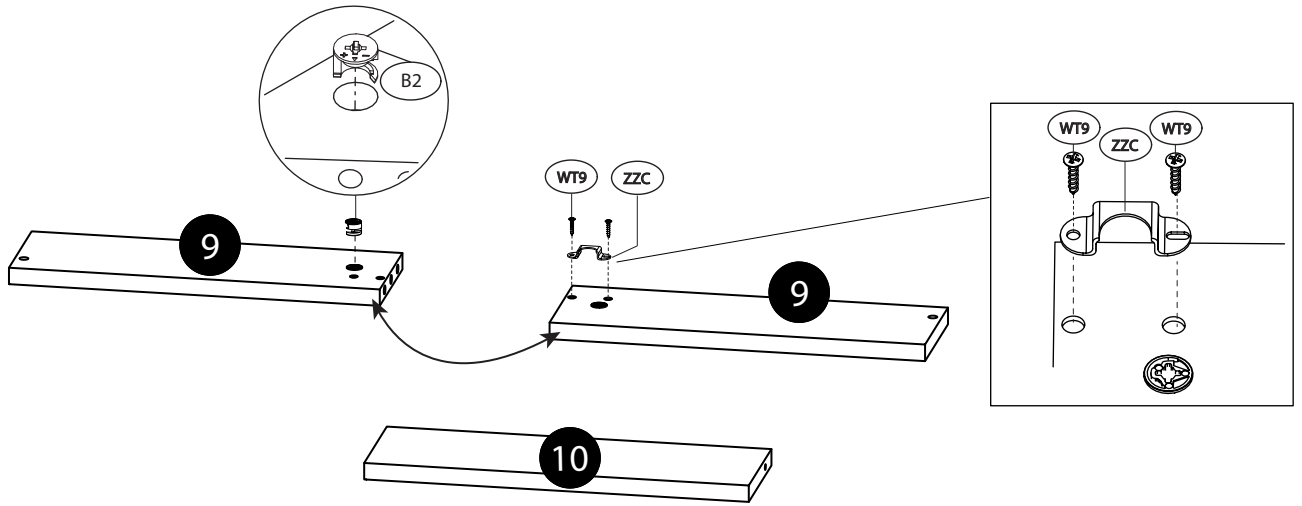
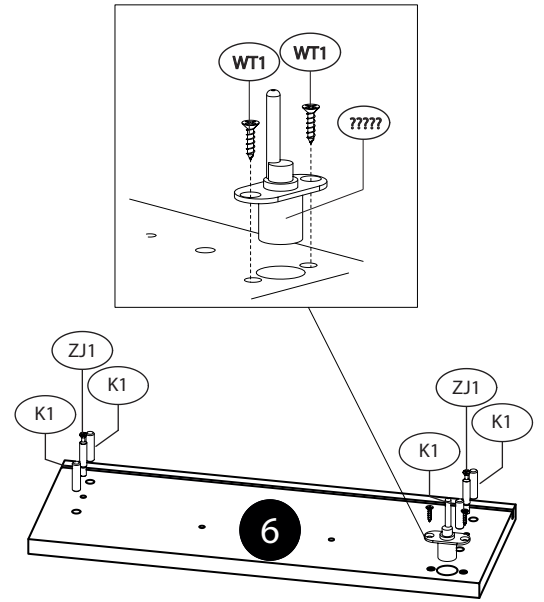
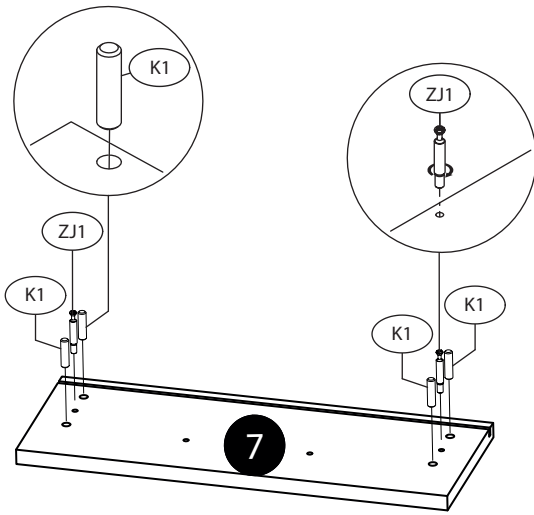


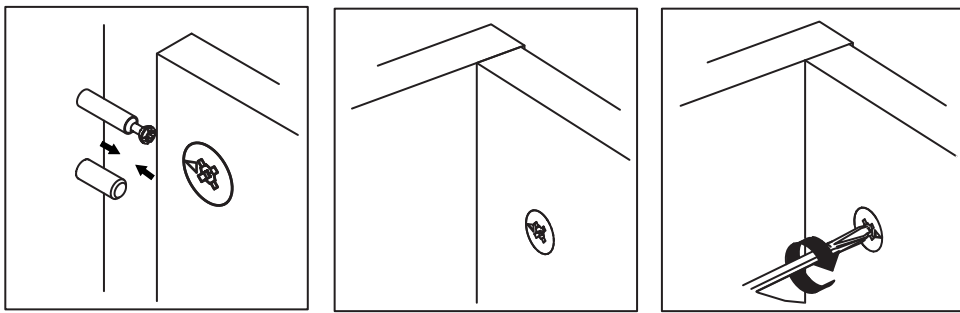
# OPTIMAL 22/23

			
①	455	674	1
②	455	500	1
③	694	483	1
④	694	483	1
⑤	694	420	1
⑥	446	169	1
⑦	446	169	3
⑨	112	350	8
⑩	363	112	4
⑪	390	355	4
⑫	455	500	1

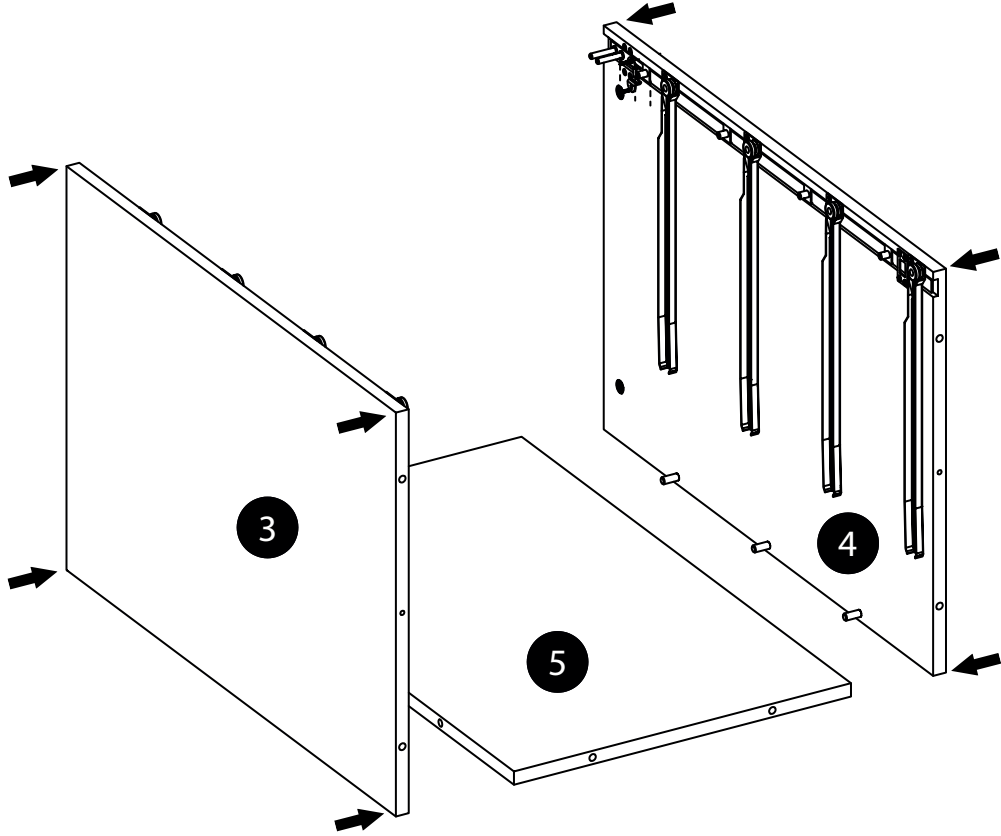




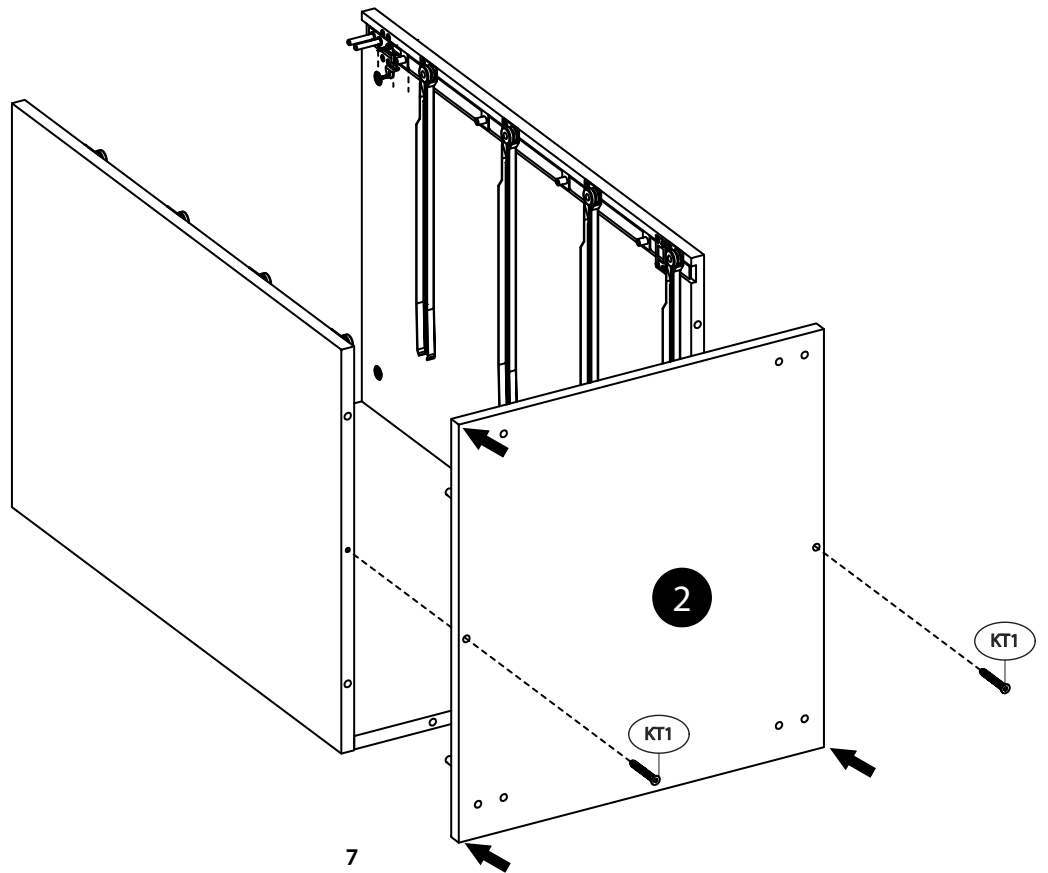




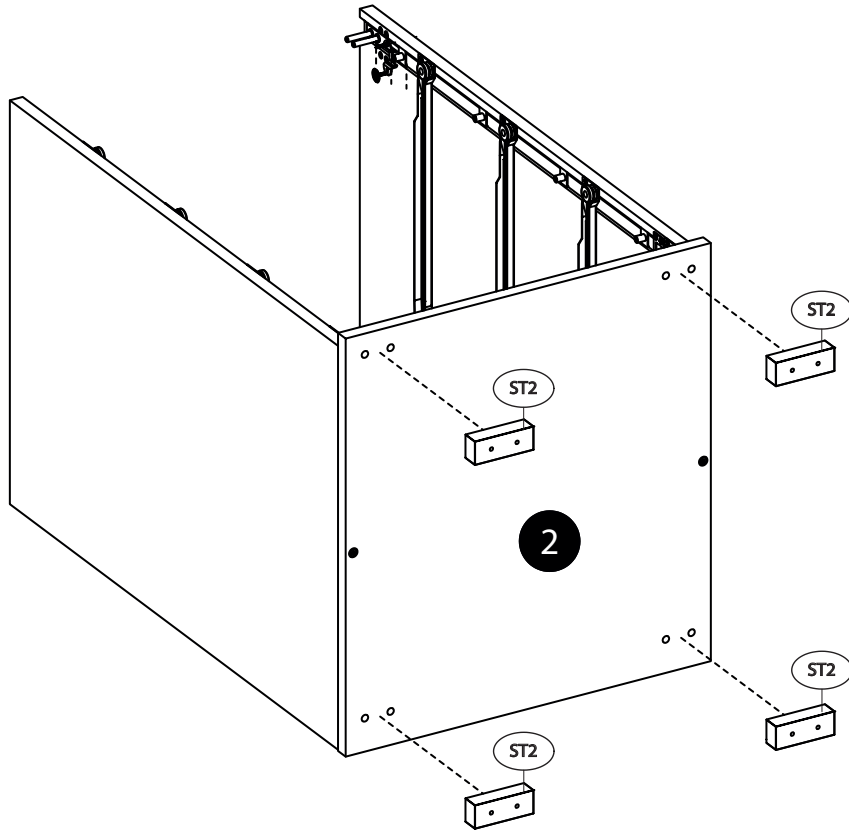
**A ▶**



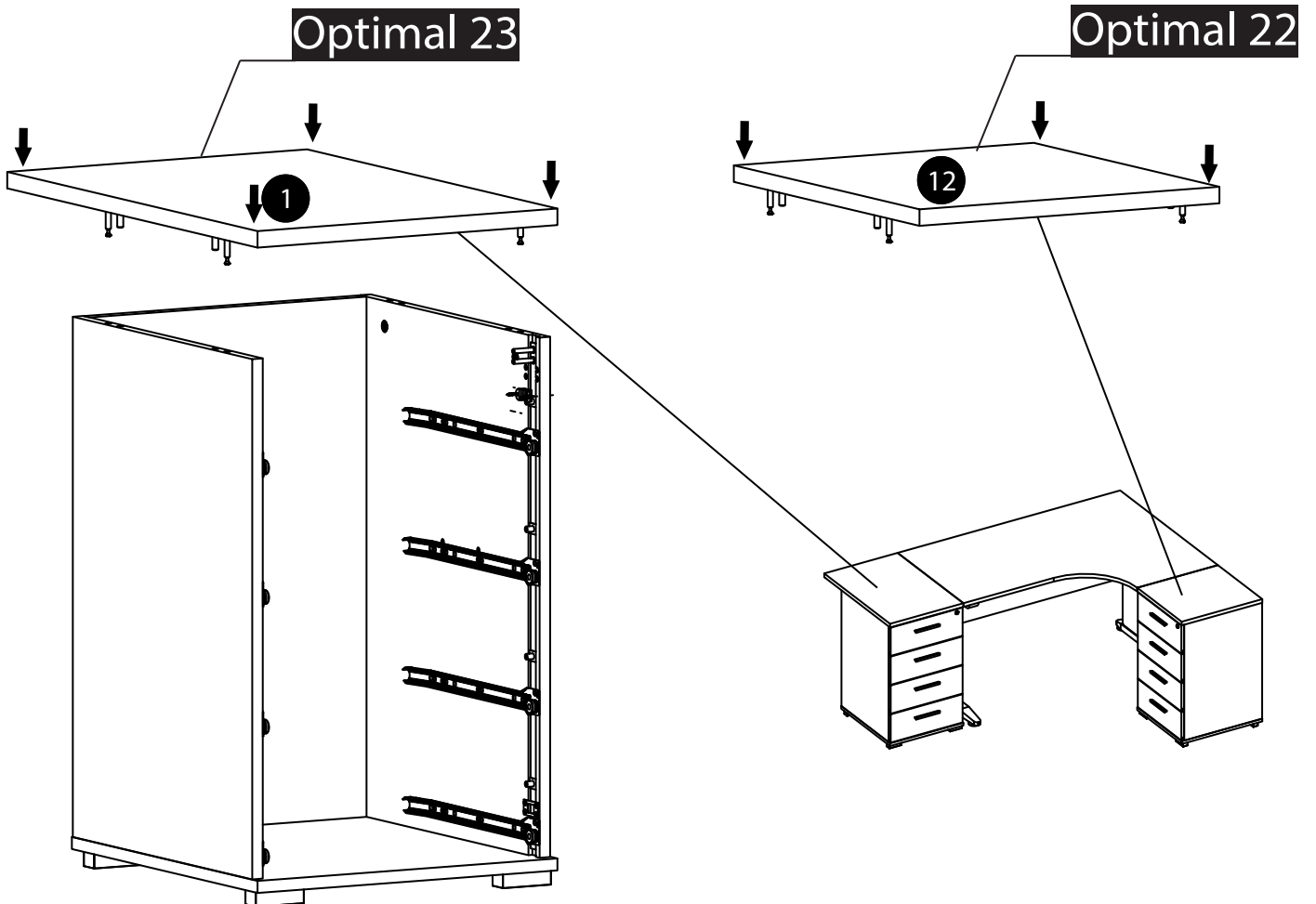
**B ▶**



C ▶

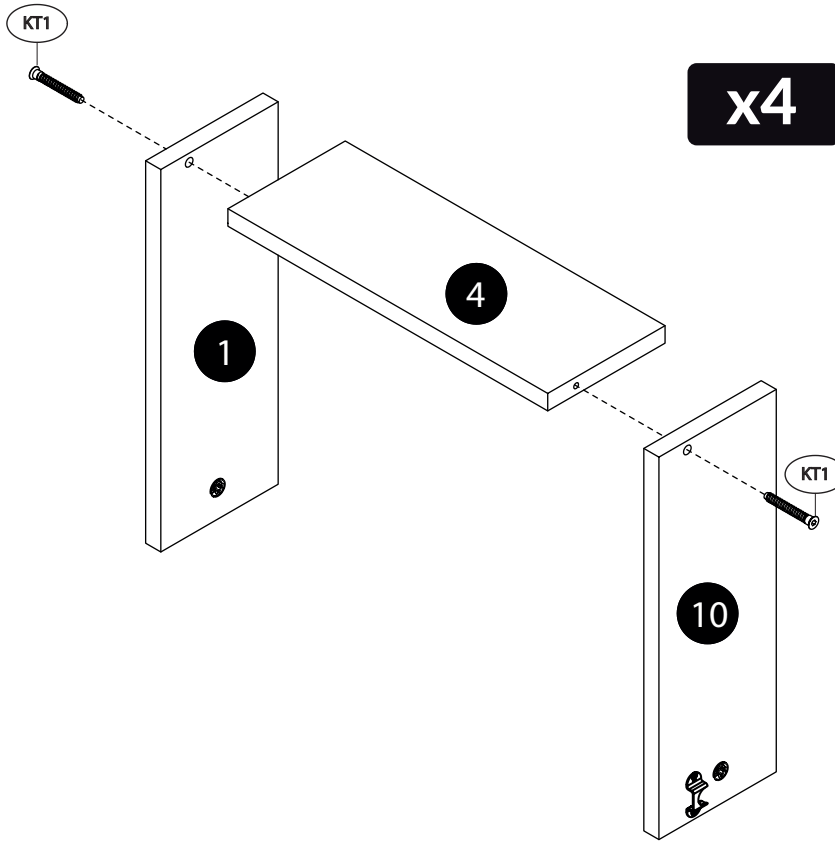


D ▶

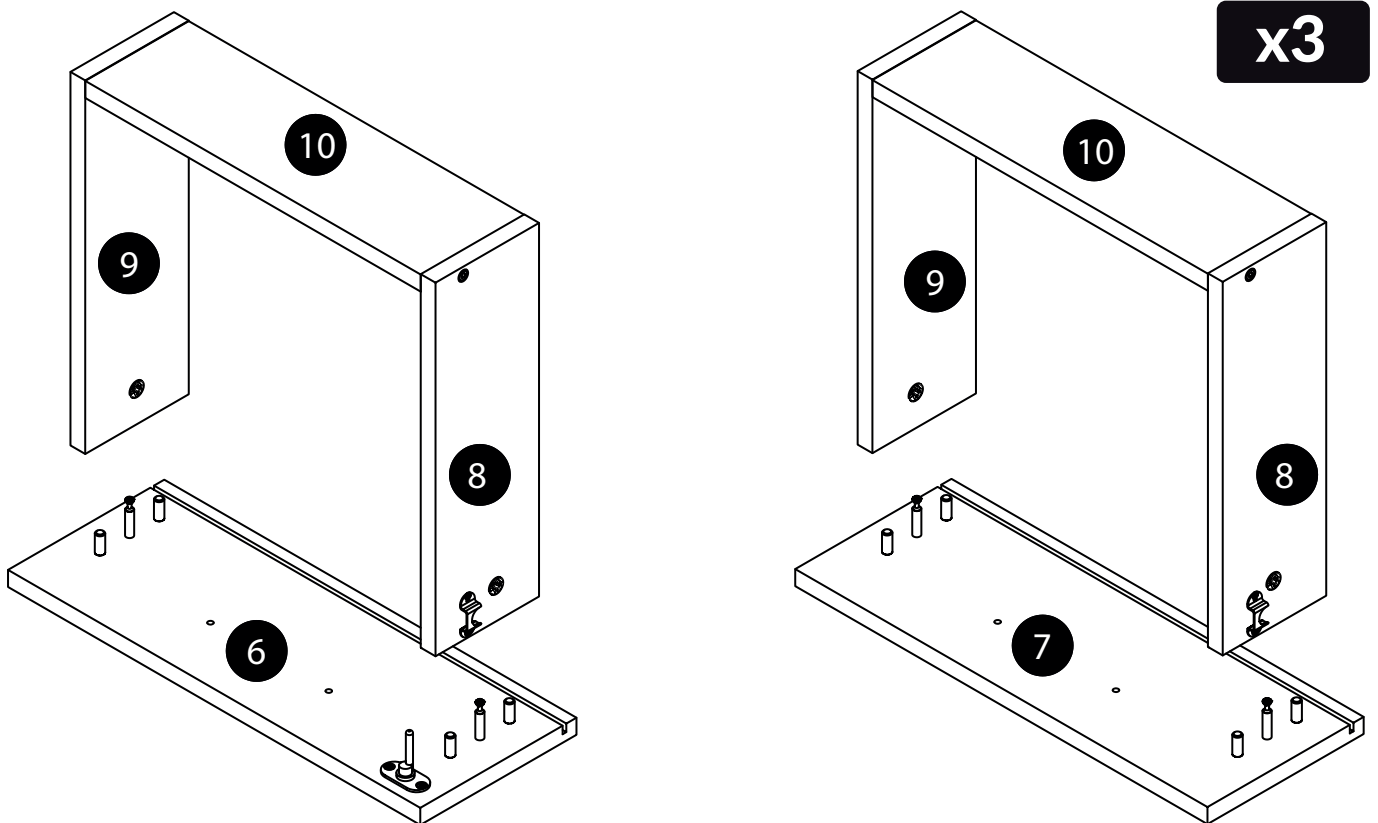




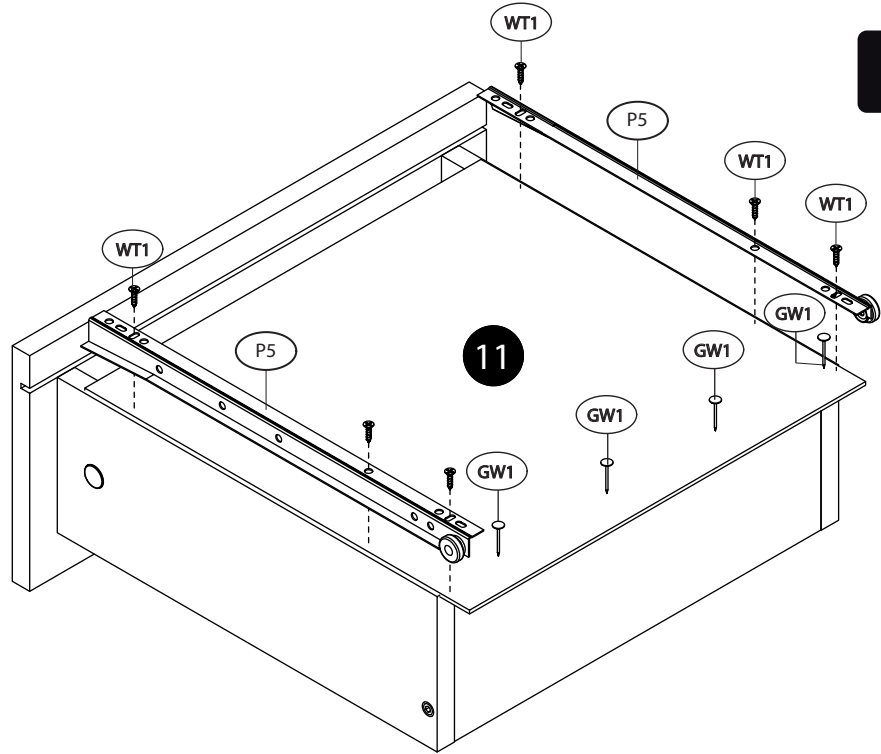
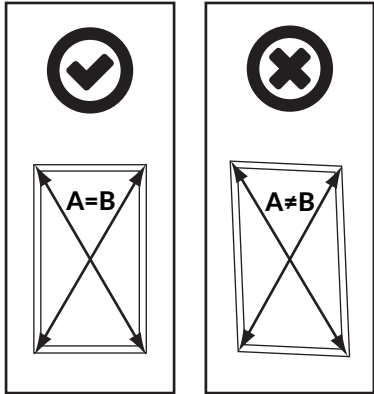
**E ▶**



**F ▶**



# G ▶



# H ▶

