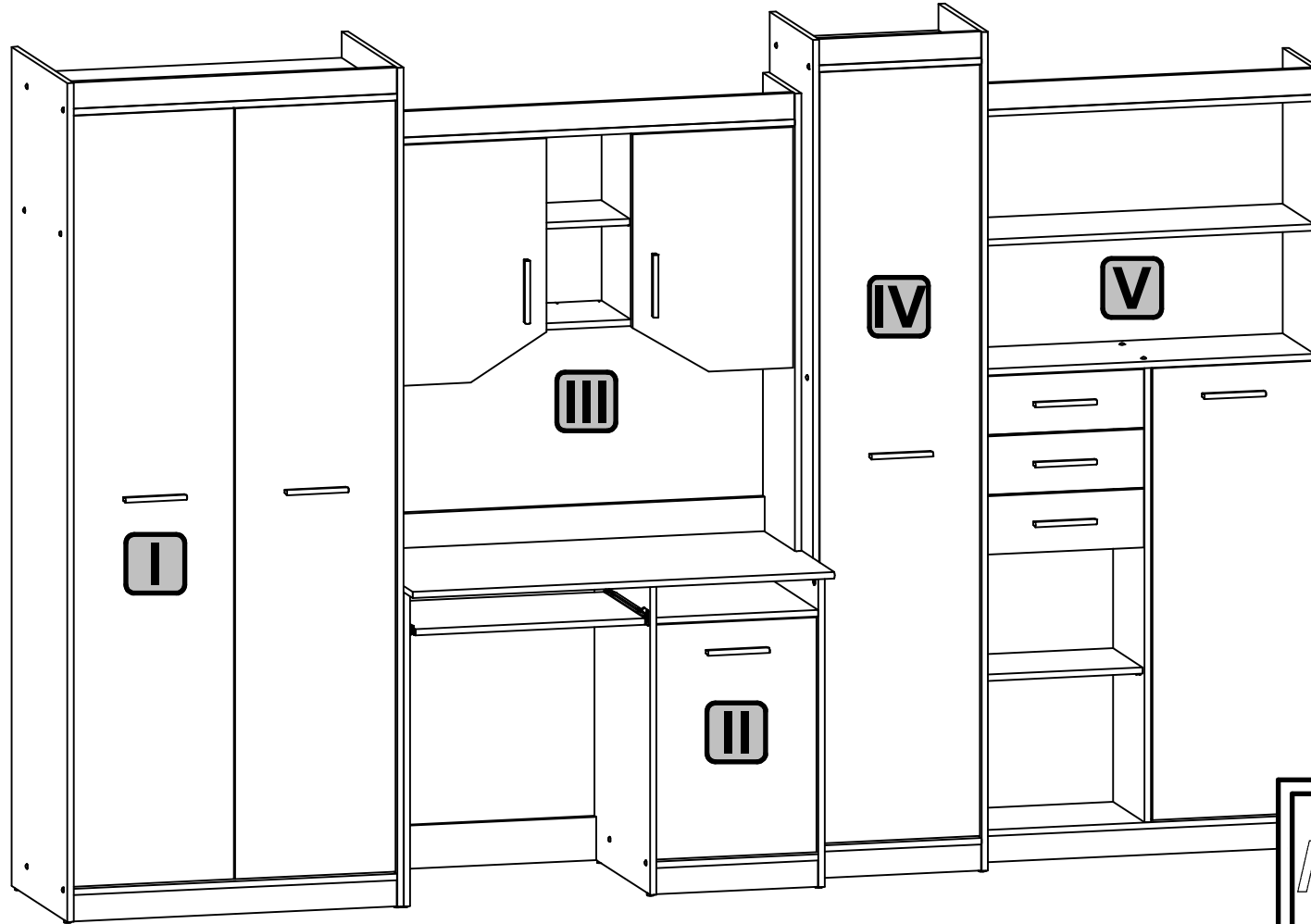
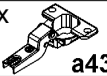

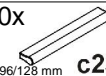
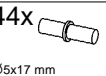
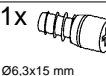

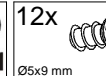
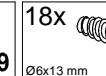
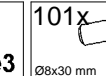
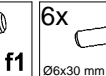
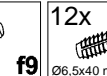
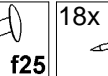
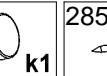

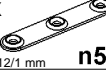


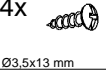

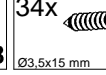
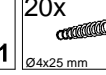
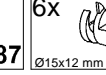
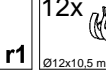
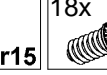
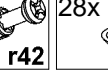
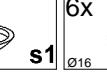








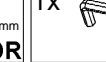
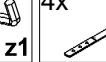
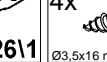


M128-ZIPP

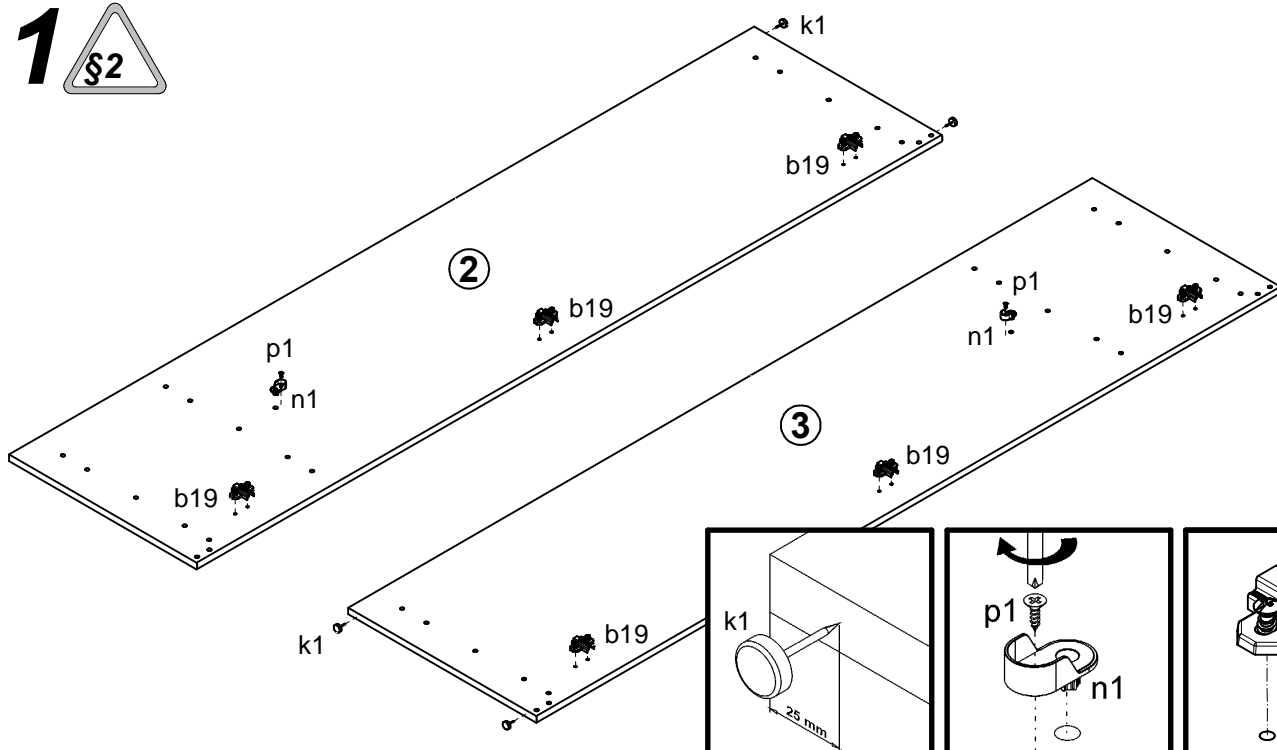
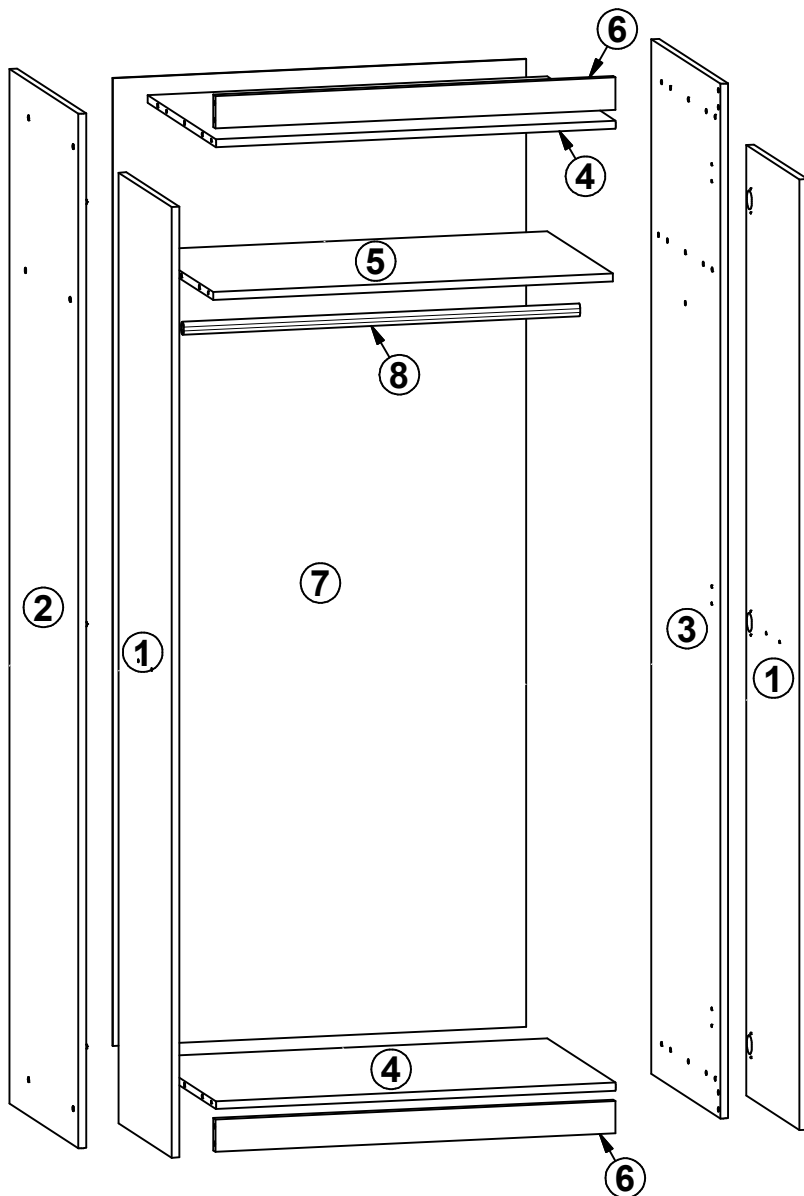
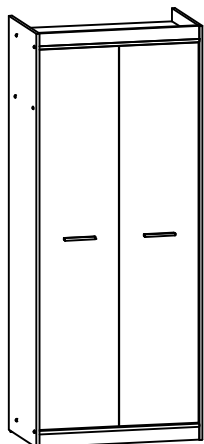


17x  a43	17x  b19	10x  L=96/128 mm c235	44x  Ø5x17 mm d1	1x  Ø6,3x15 mm d4	68x  Ø7x50 mm e1	12x  Ø5x9 mm e19	18x  Ø6x13 mm e3	101x  Ø8x30 mm f1	6x  Ø6x30 mm f9	12x  Ø6,5x40 mm f25	18x  k1	285x  l1
2x  n1	2x  62x12/1 mm n52	2x  Ø3,5x13 mm p1	6x  Ø3,5x16 mm p25	4x  Ø3,5x13 mm p27	16x  Ø3,5x16 mm p38	34x  Ø3,5x15 mm p51	20x  Ø4x25 mm p87	6x  Ø15x12 mm #16 r1	12x  Ø12x10,5 mm #12 r15	18x  r42	28x  s1	6x  Ø16 s2
3x  250 mm w17\CL	3x  250 mm w17\CR	3x  250 mm w17\DL	3x  250 mm w17\DR	1x  350 mm w45\CL	1x  350 mm w45\CR	1x  350 mm w45\DL	1x  350 mm w45\DR	1x  z1	4x  n26\1	4x  Ø3,5x16 mm p38		

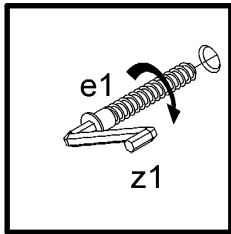
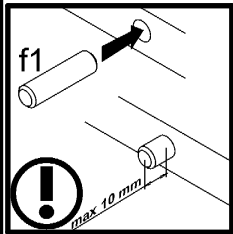
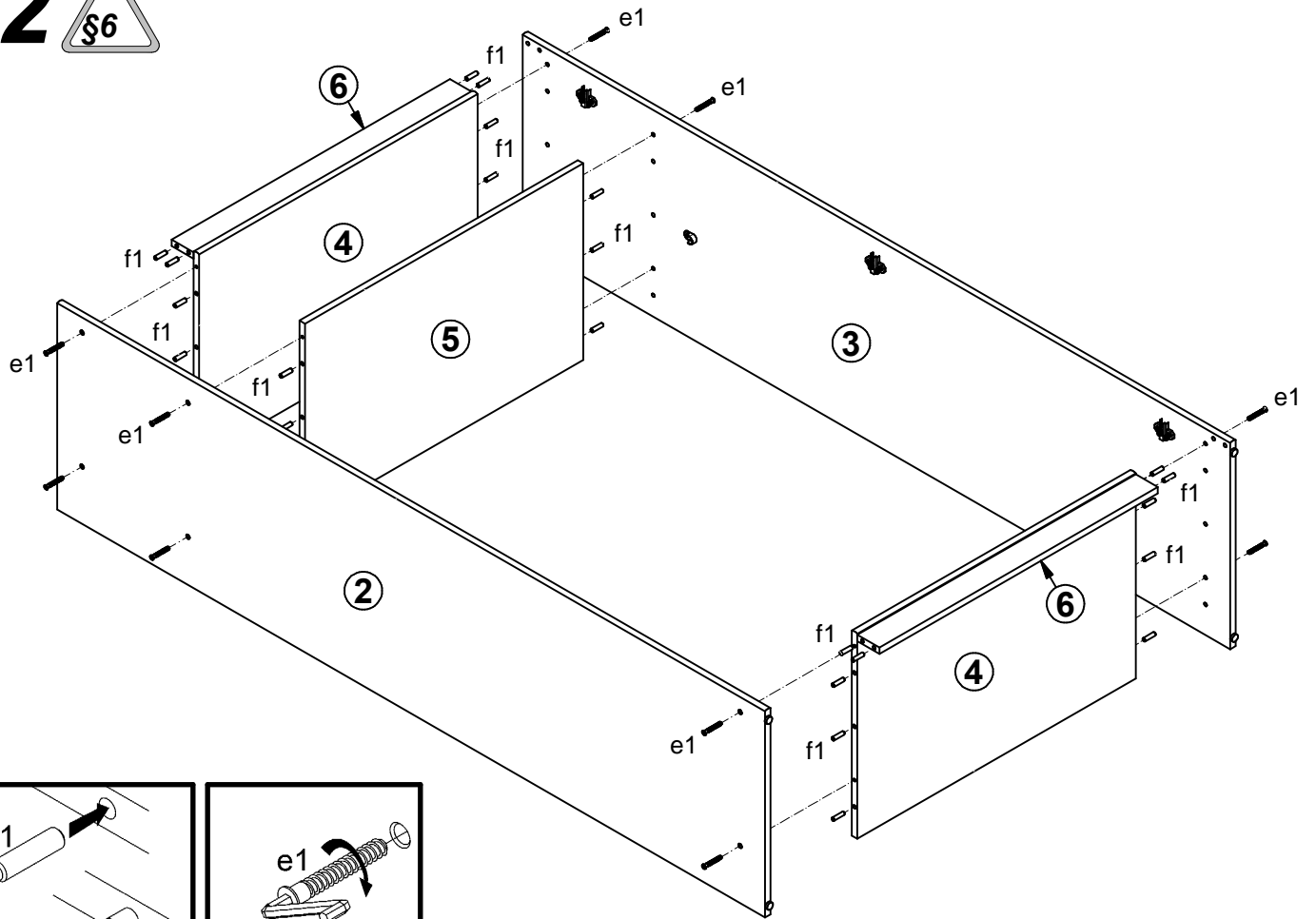
I

M128-SZF2D

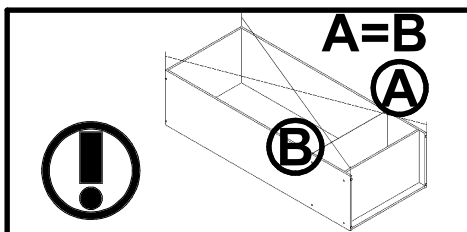
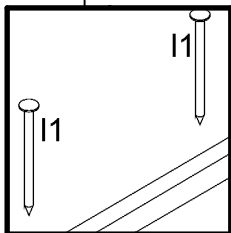
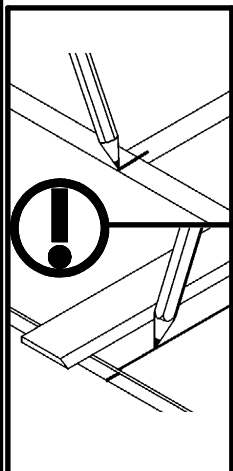
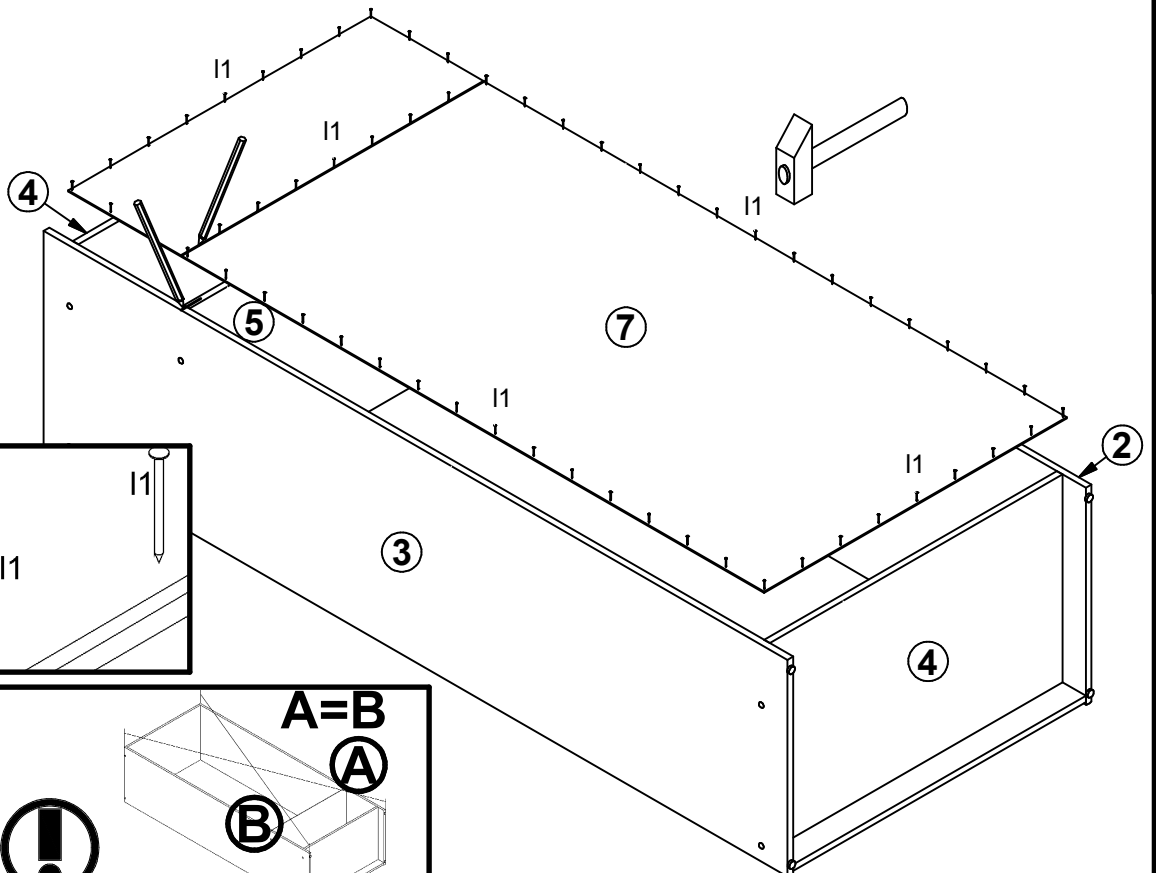
A	B	C	D
1	M128-008	1792	380 6/7
2	M128-101	1950	495 1/7
3	M128-102	1950	495 1/7
4	M128-301	767	492 1/7
5	M128-302	767	470 1/7
6	M128-401	767	61 3/7
7	M128-901	1824	793 4/7
8	dr-761	761	22 2/7



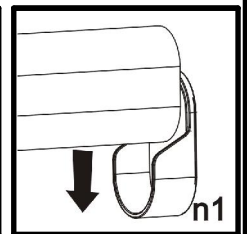
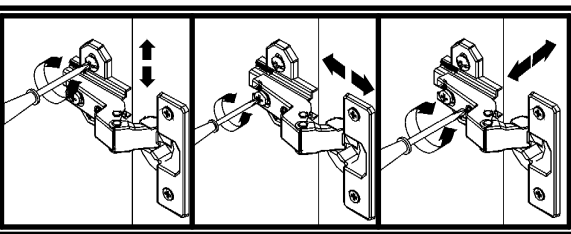
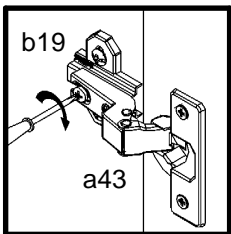
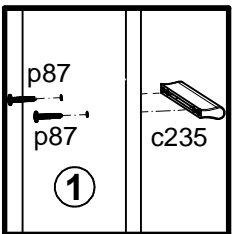
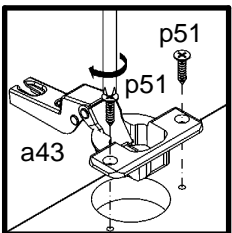
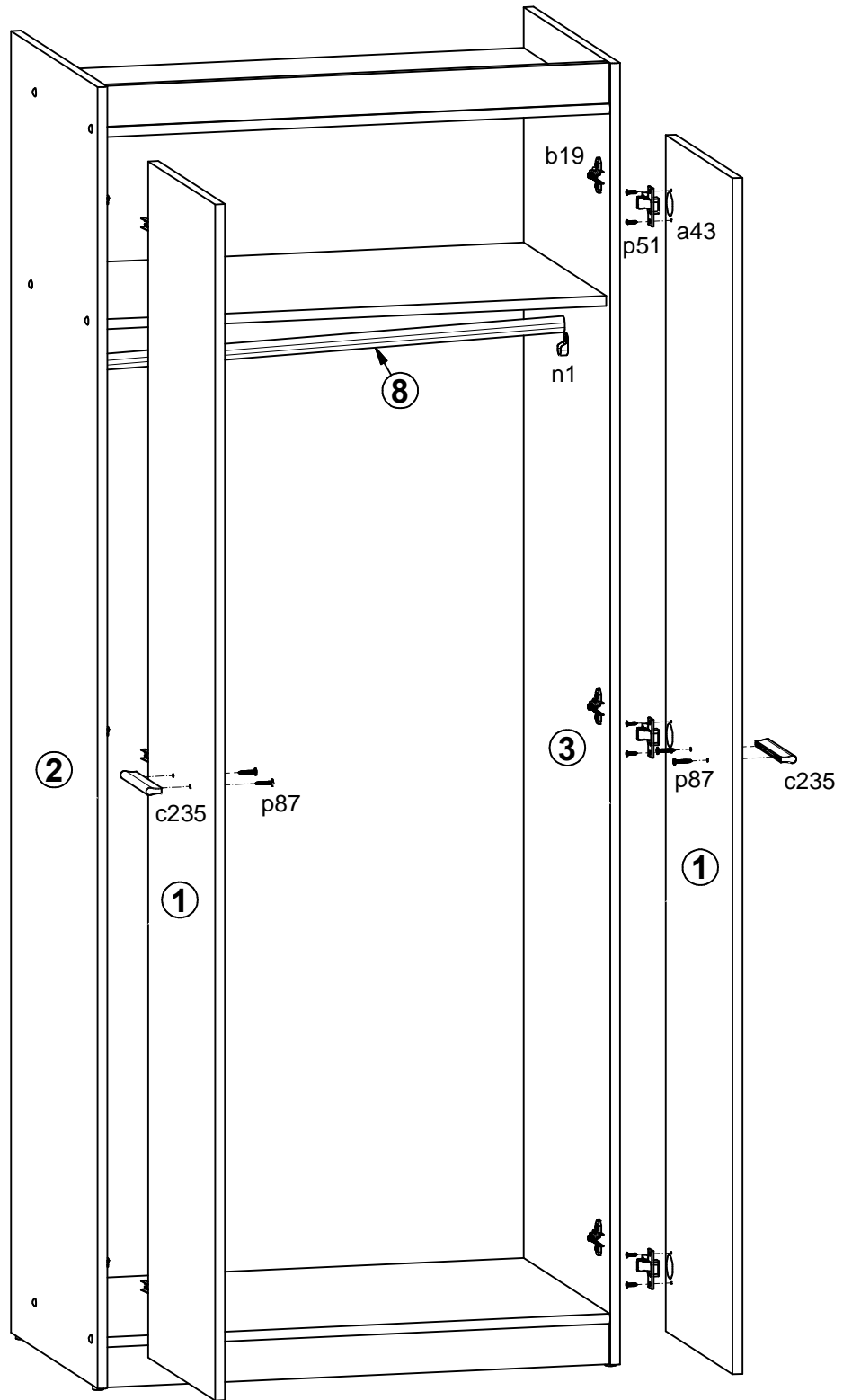
2



3



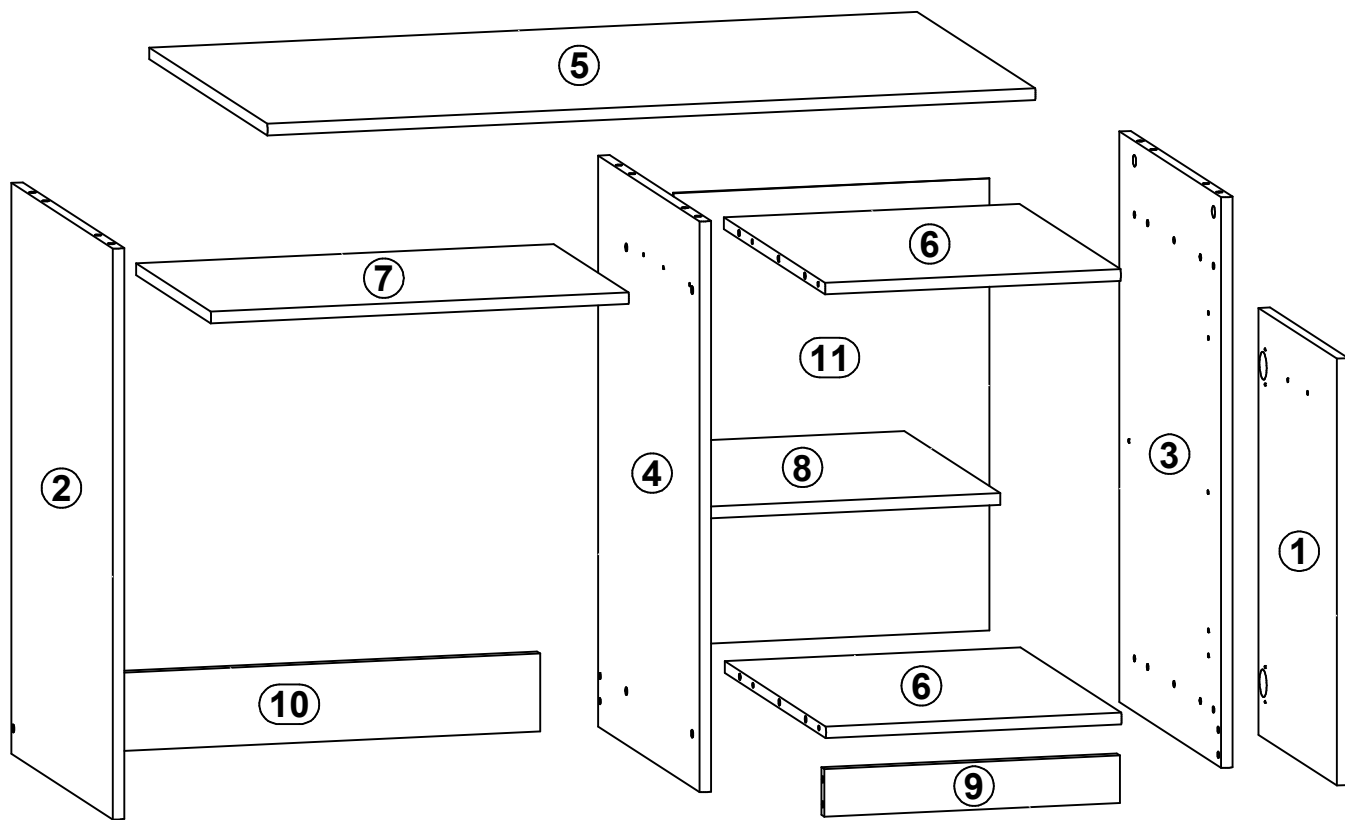
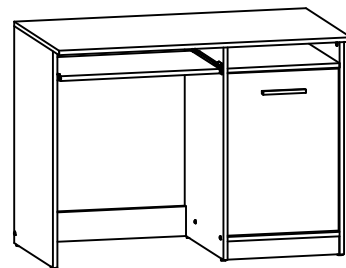
4



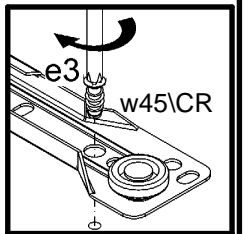
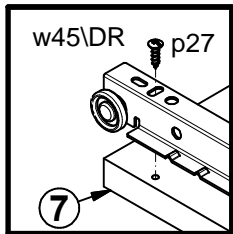
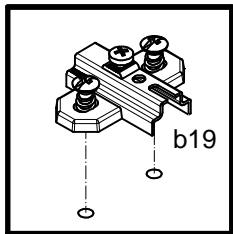
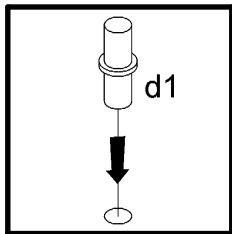
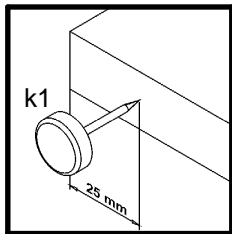
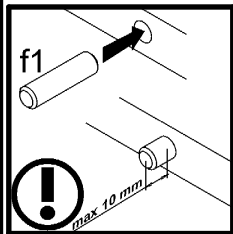
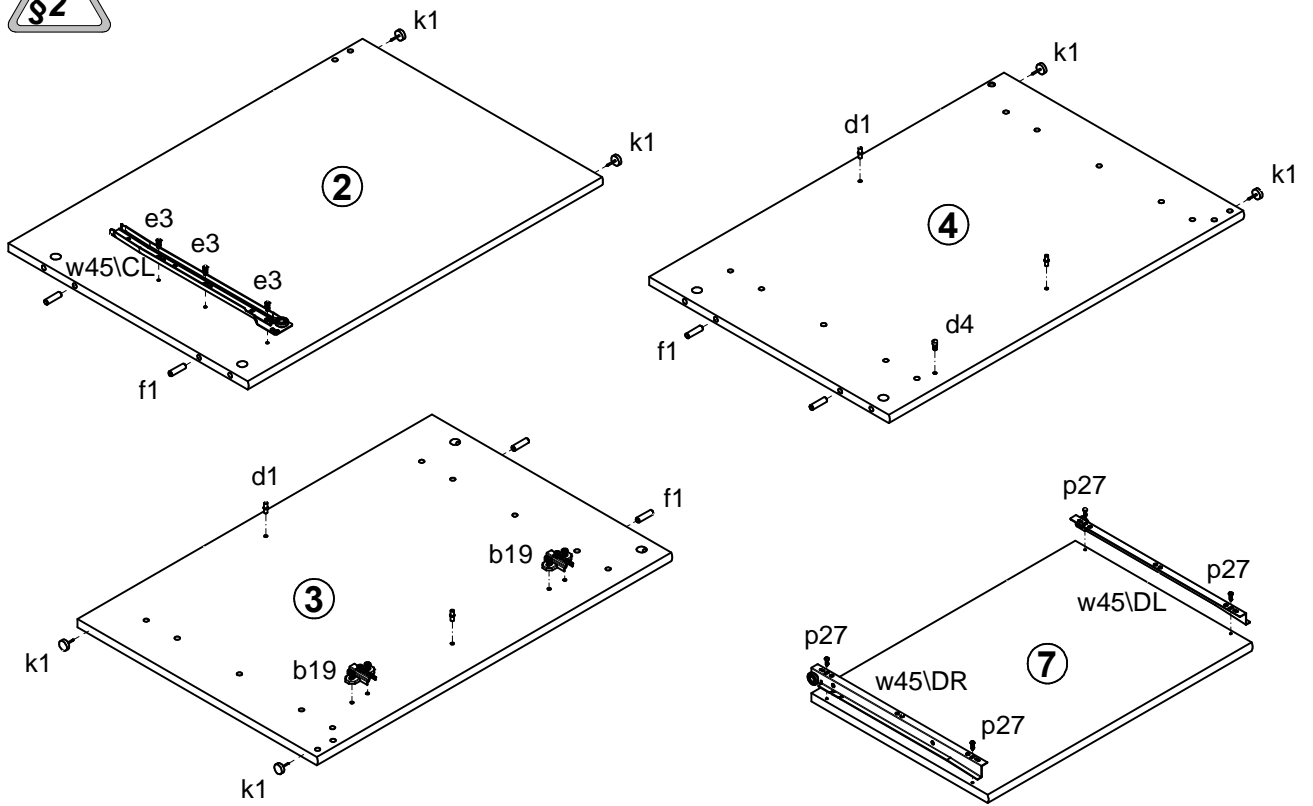


M128-BIU1D1S

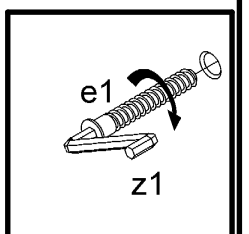
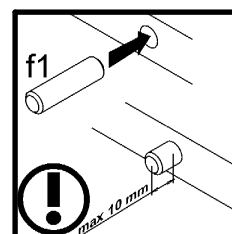
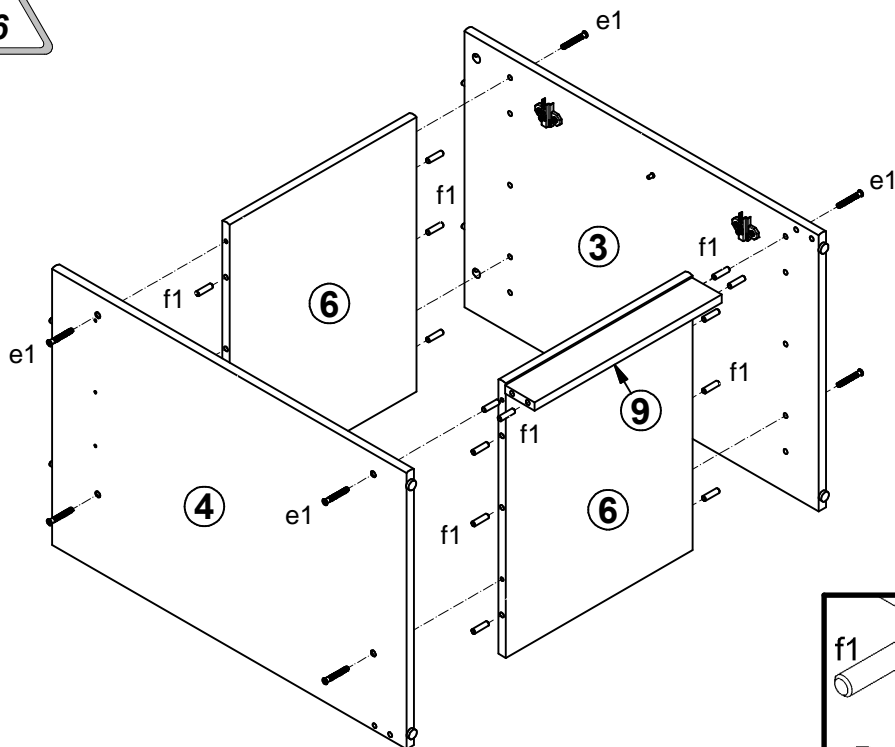
A	B	C	D	
1	M128-011	546	380	7/7
2	M128-111	730	495	1/7
3	M128-112	730	495	1/7
4	M128-113	730	495	1/7
5	M128-201	1000	575	3/7
6	M128-311	385	492	1/7
7	M128-312	544	365	3/7
8	M128-315	384	465	1/7
9	M128-402	385	61	3/7
10	M128-405	569	100	3/7
11	M128-905	578	411	4/7



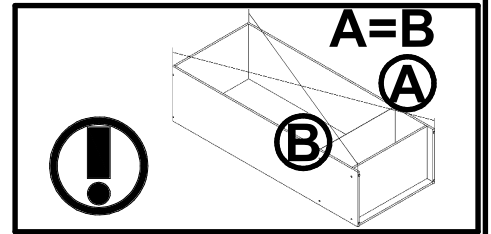
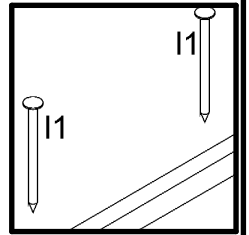
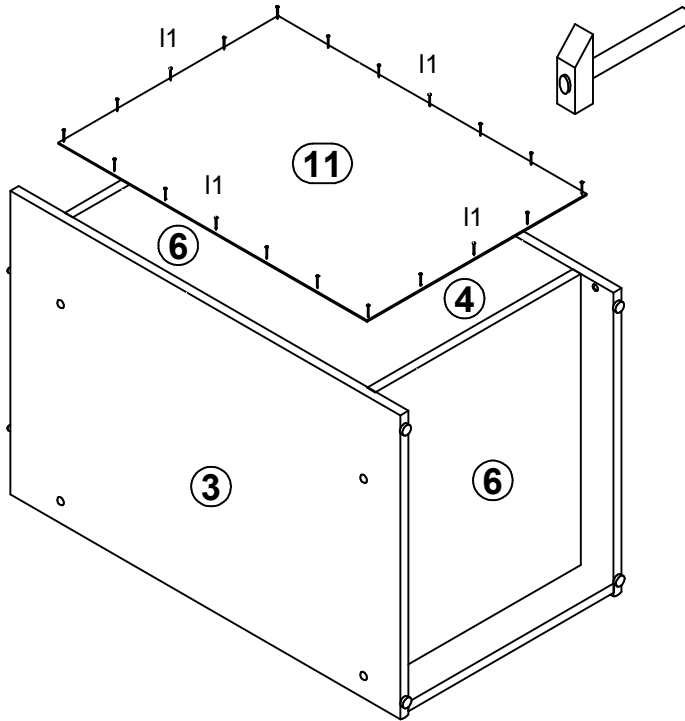
5



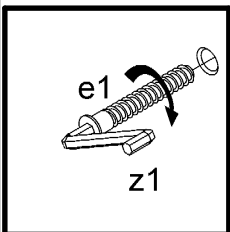
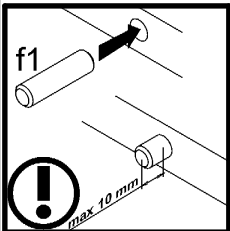
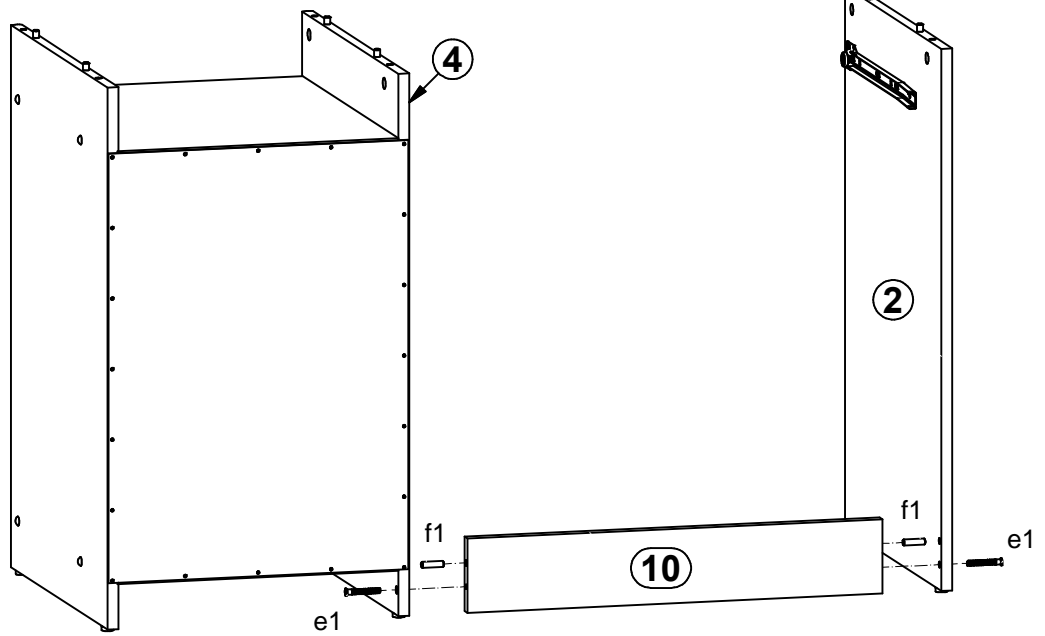
6



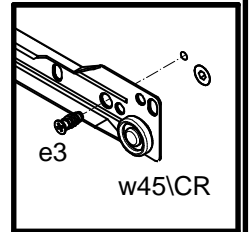
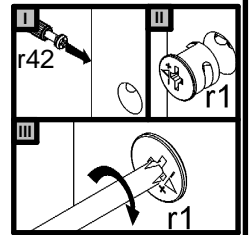
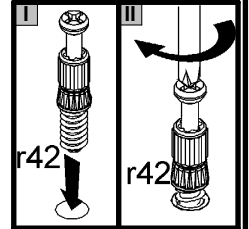
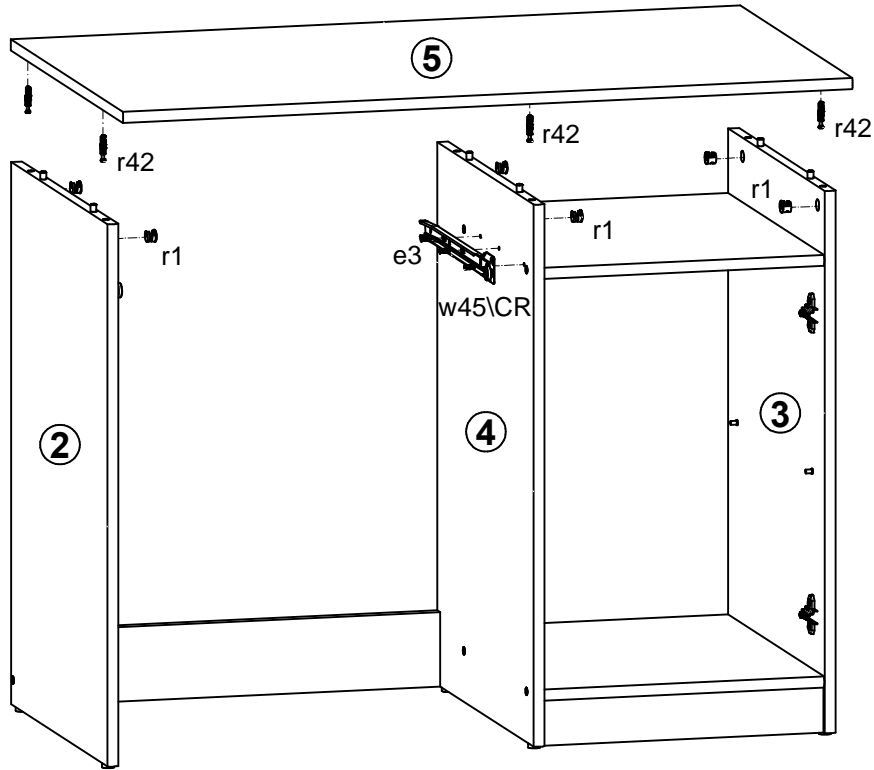
7



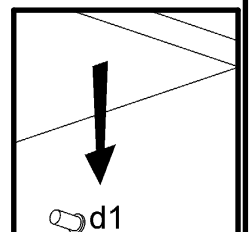
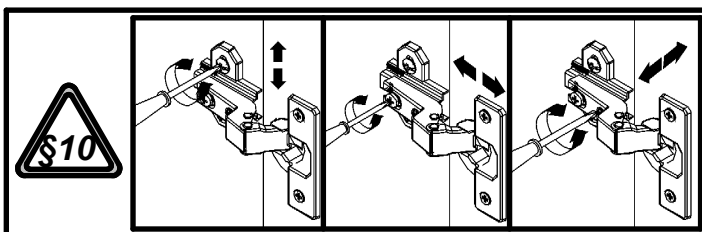
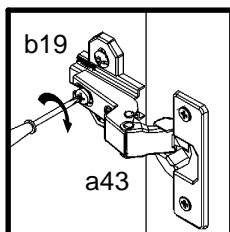
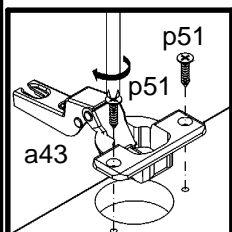
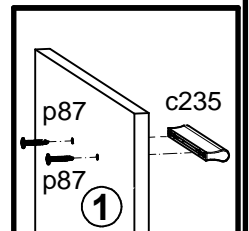
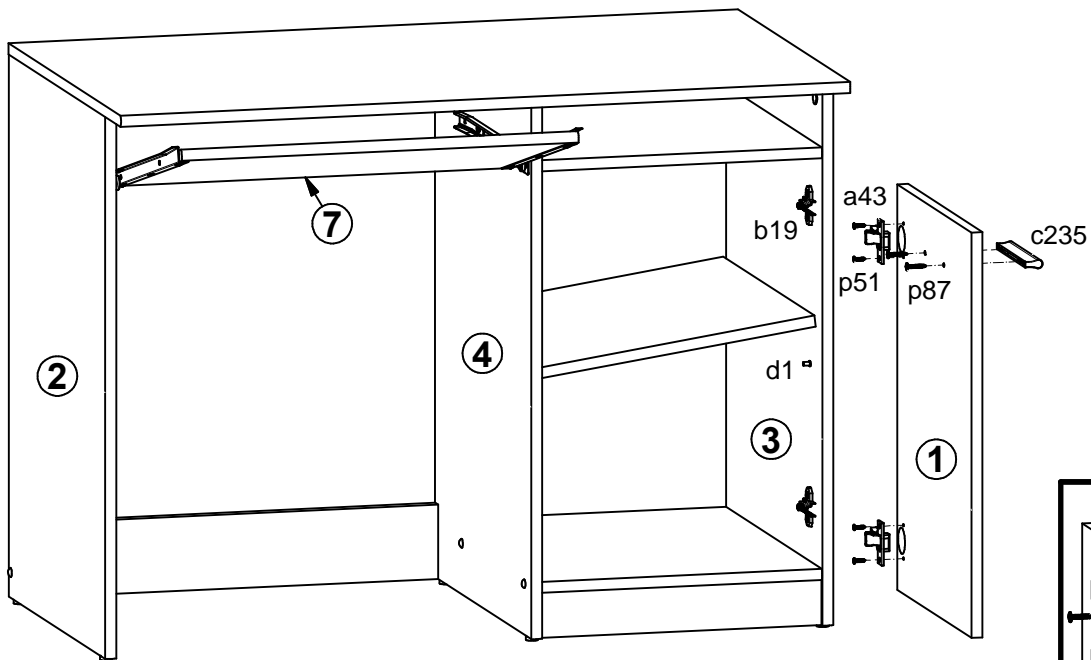
8



9



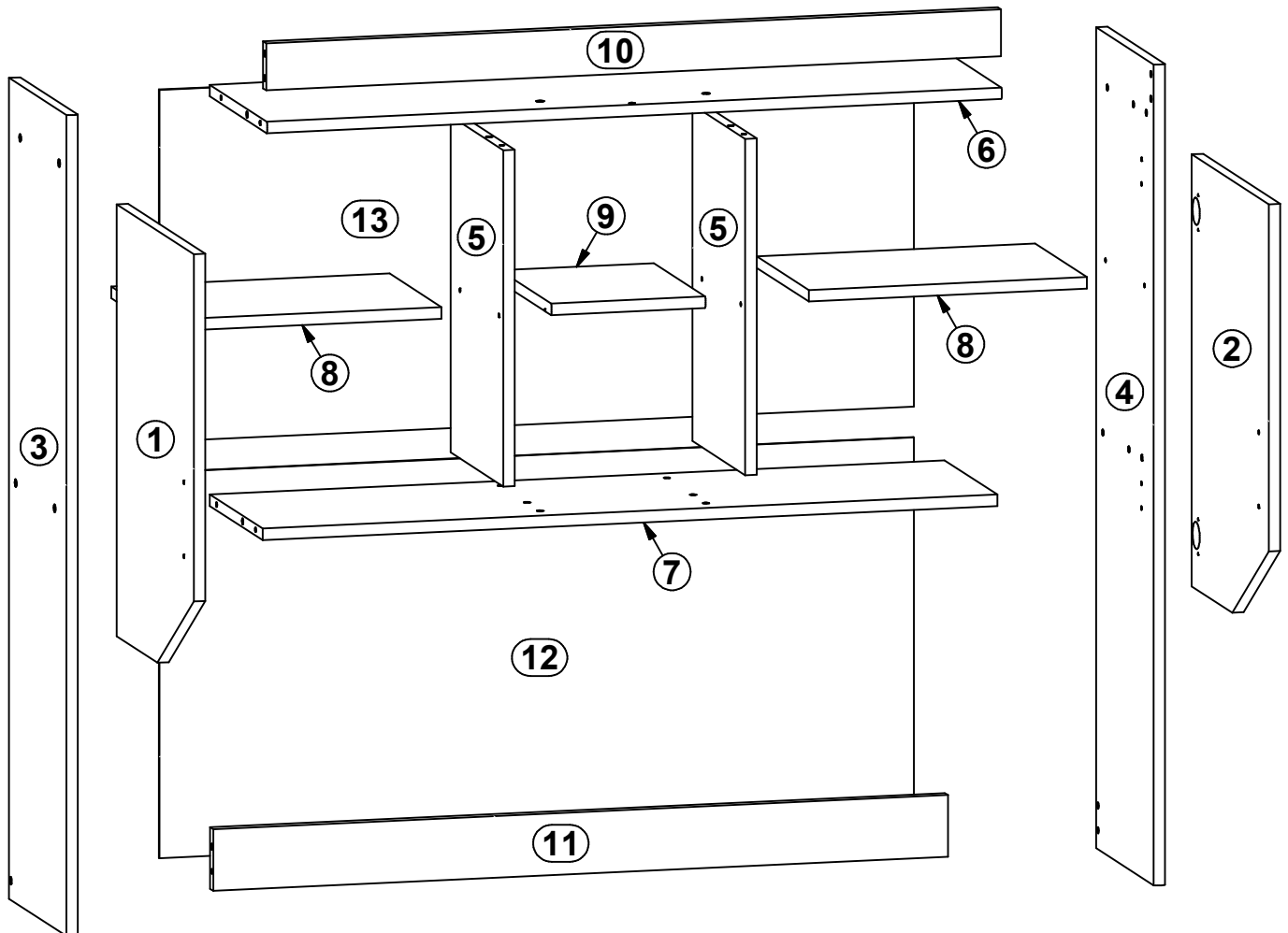
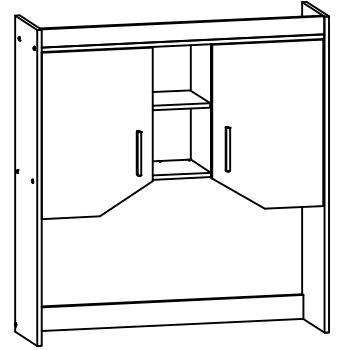
10



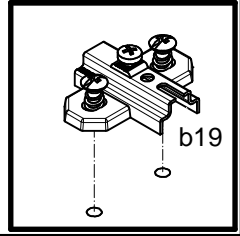
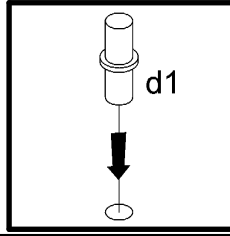
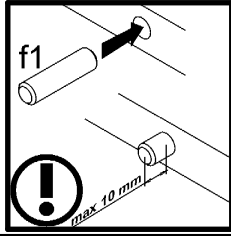
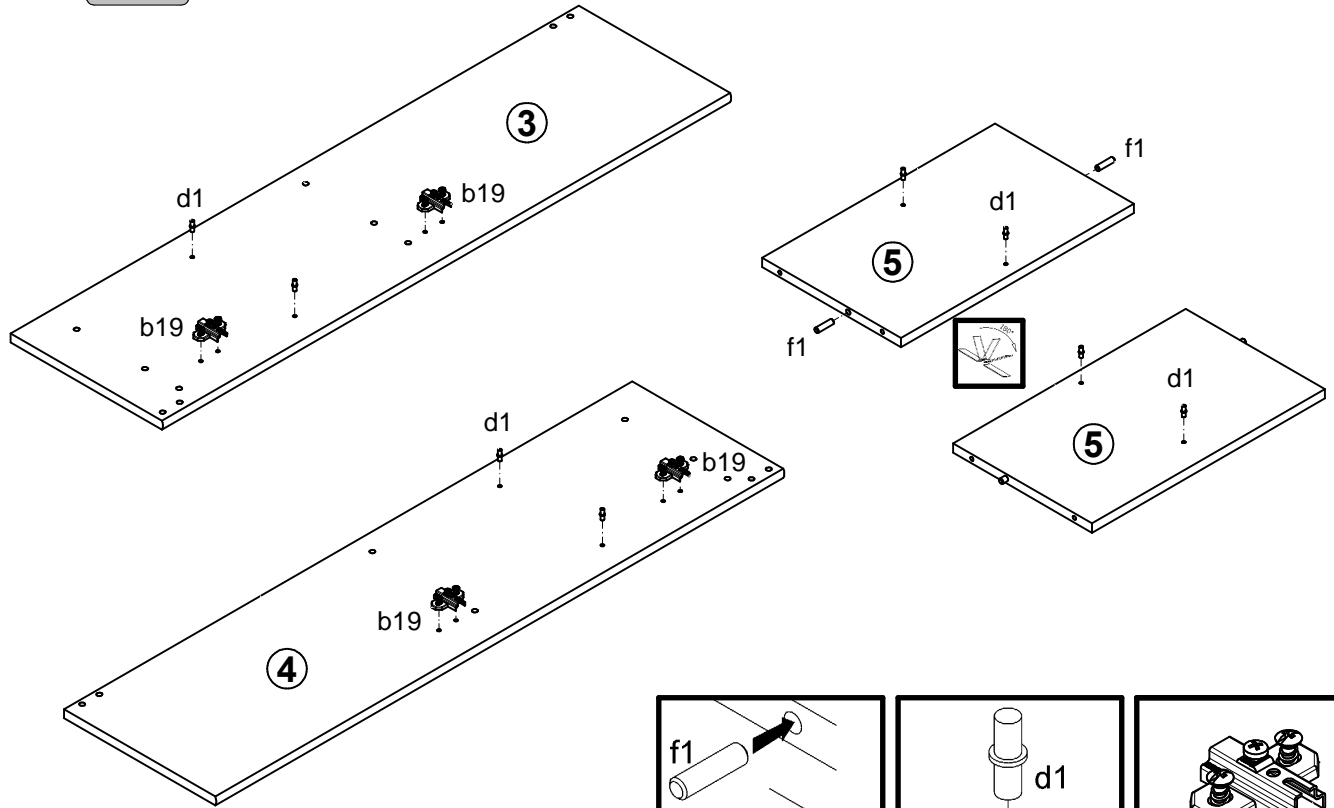


M128-NAD2D

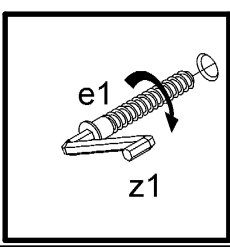
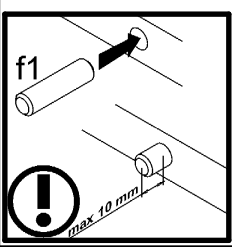
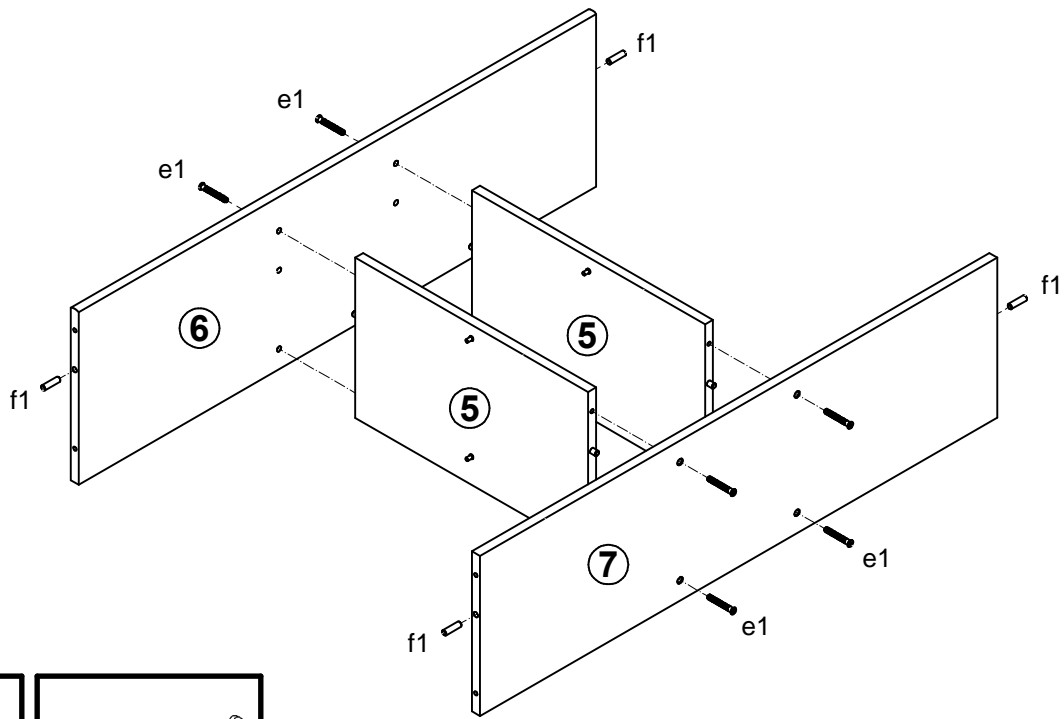
A	B	C	D	
1	M128-012	560	380	6/7
2	M128-013	560	380	6/7
3	M128-105	1064	285	3/7
4	M128-106	1064	285	3/7
5	M128-107	436	260	3/7
6	M128-313	969	282	3/7
7	M128-314	969	260	3/7
8	M128-316	367	255	3/7
9	M128-317	203	255	3/7
10	M128-404	969	61	3/7
11	M128-406	969	80	3/7
12	M128-907	995	500	4/7
13	M128-908	995	456	4/7



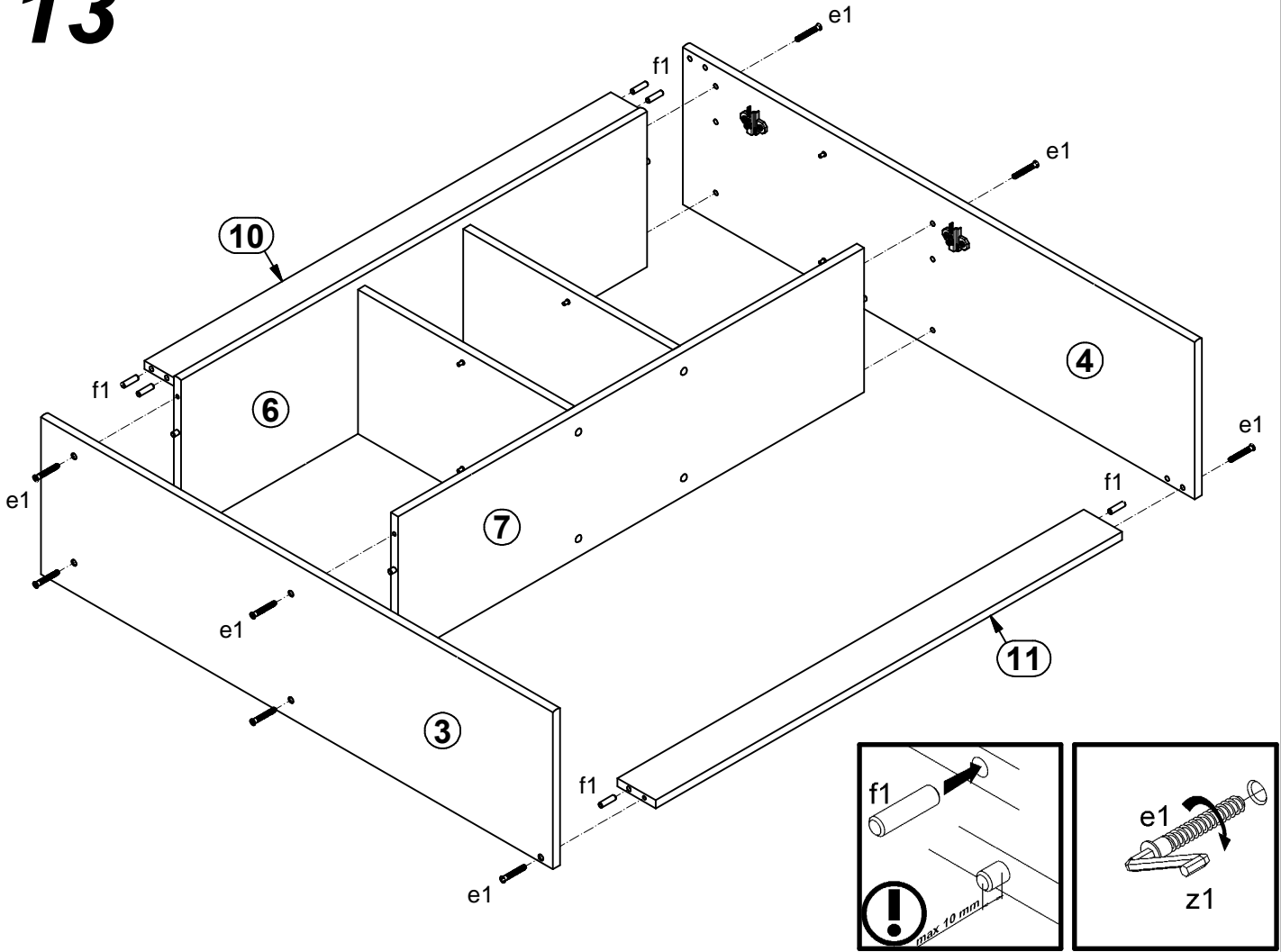
11



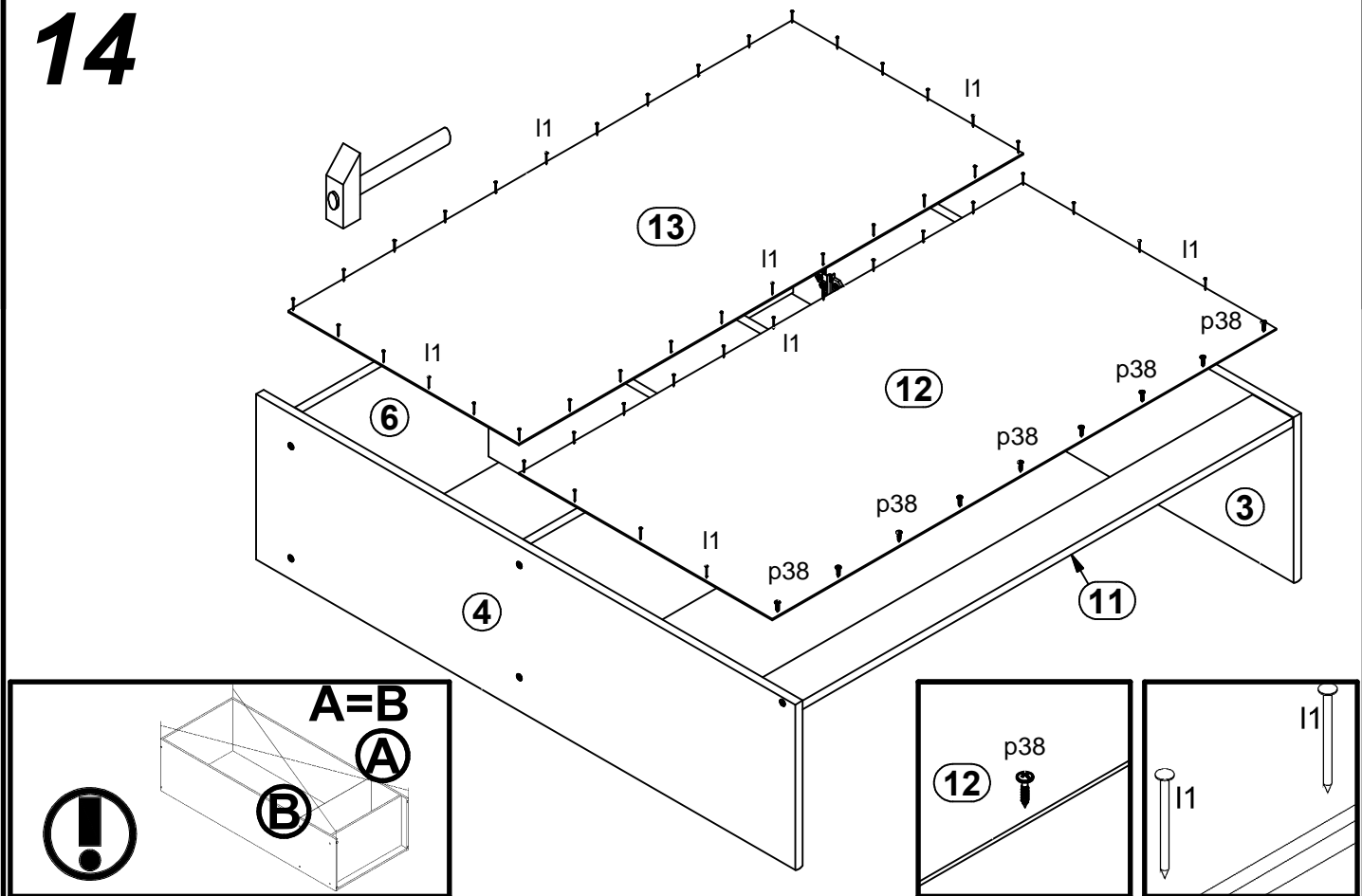
12



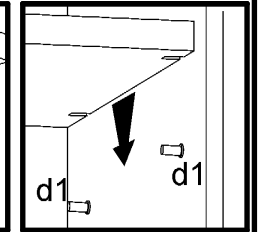
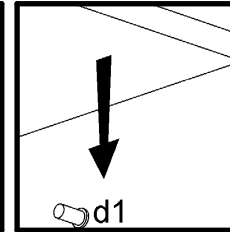
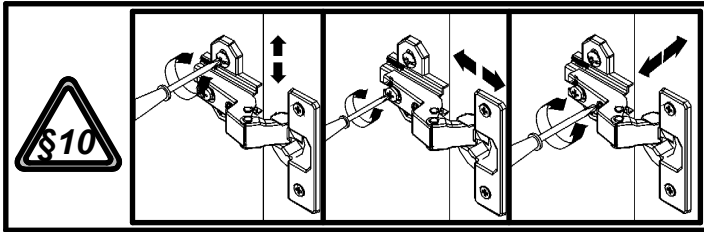
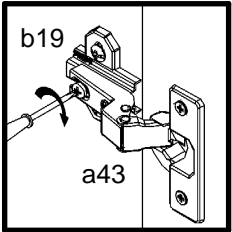
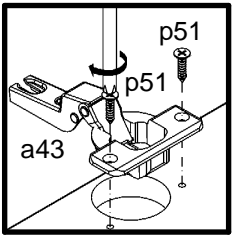
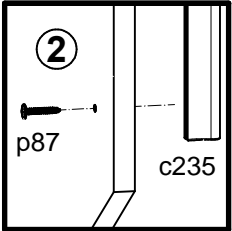
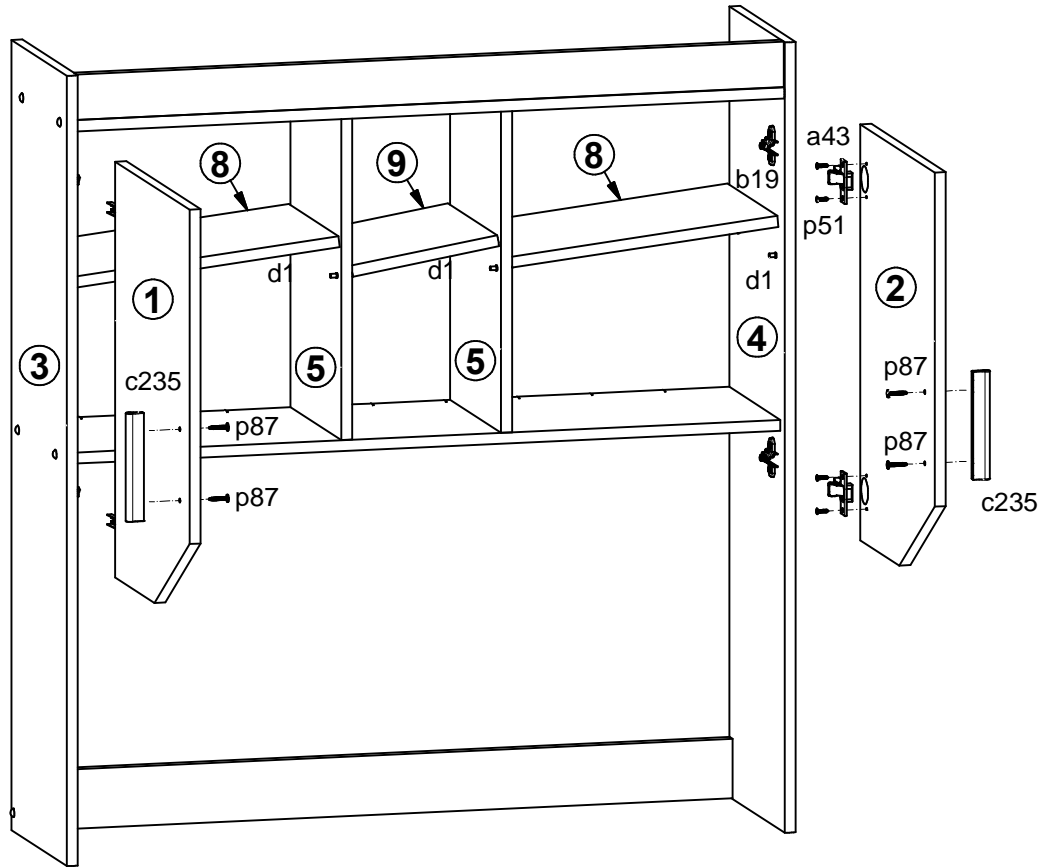
13



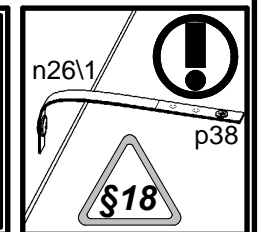
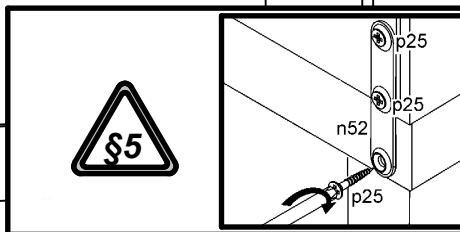
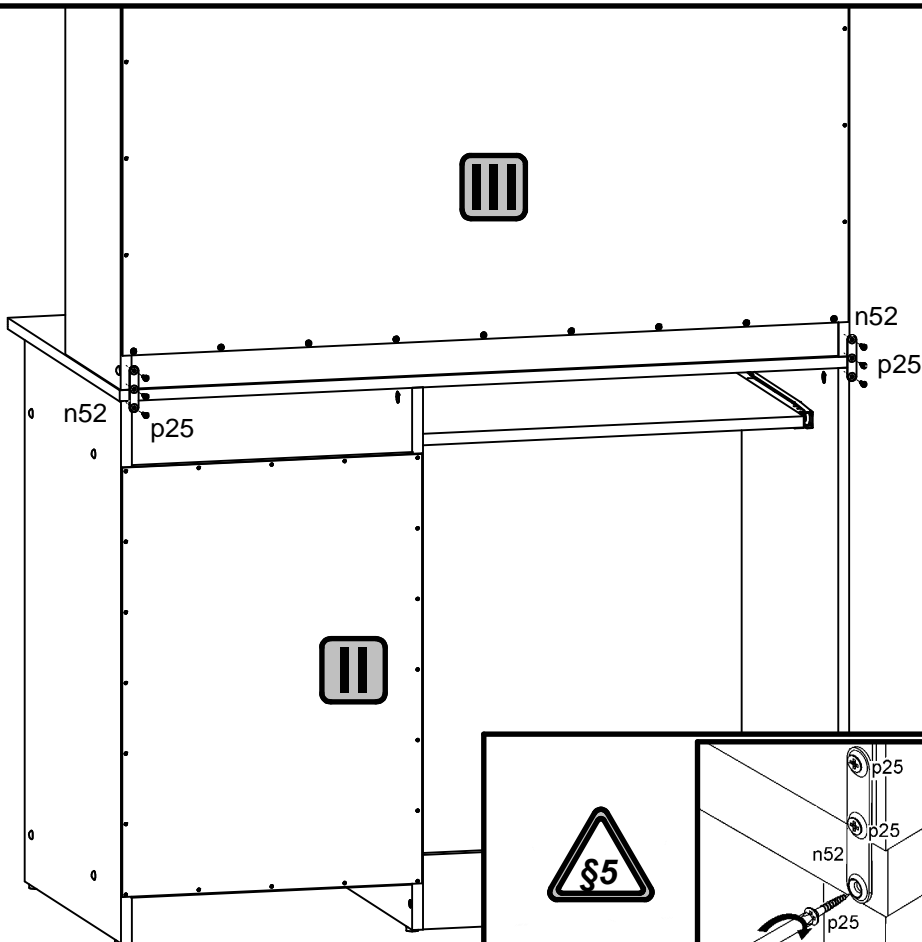
14



15



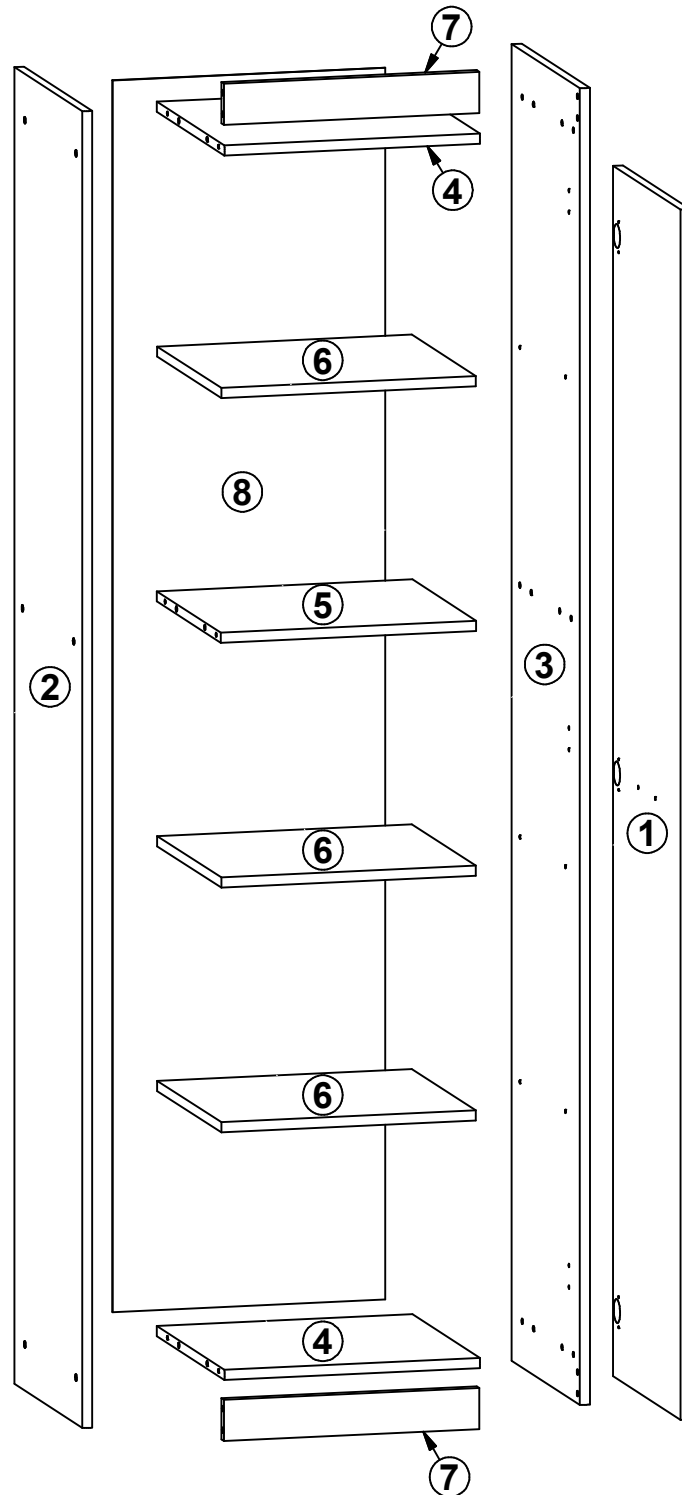
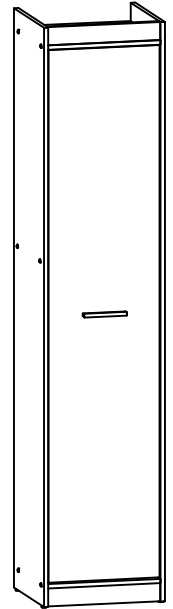
16



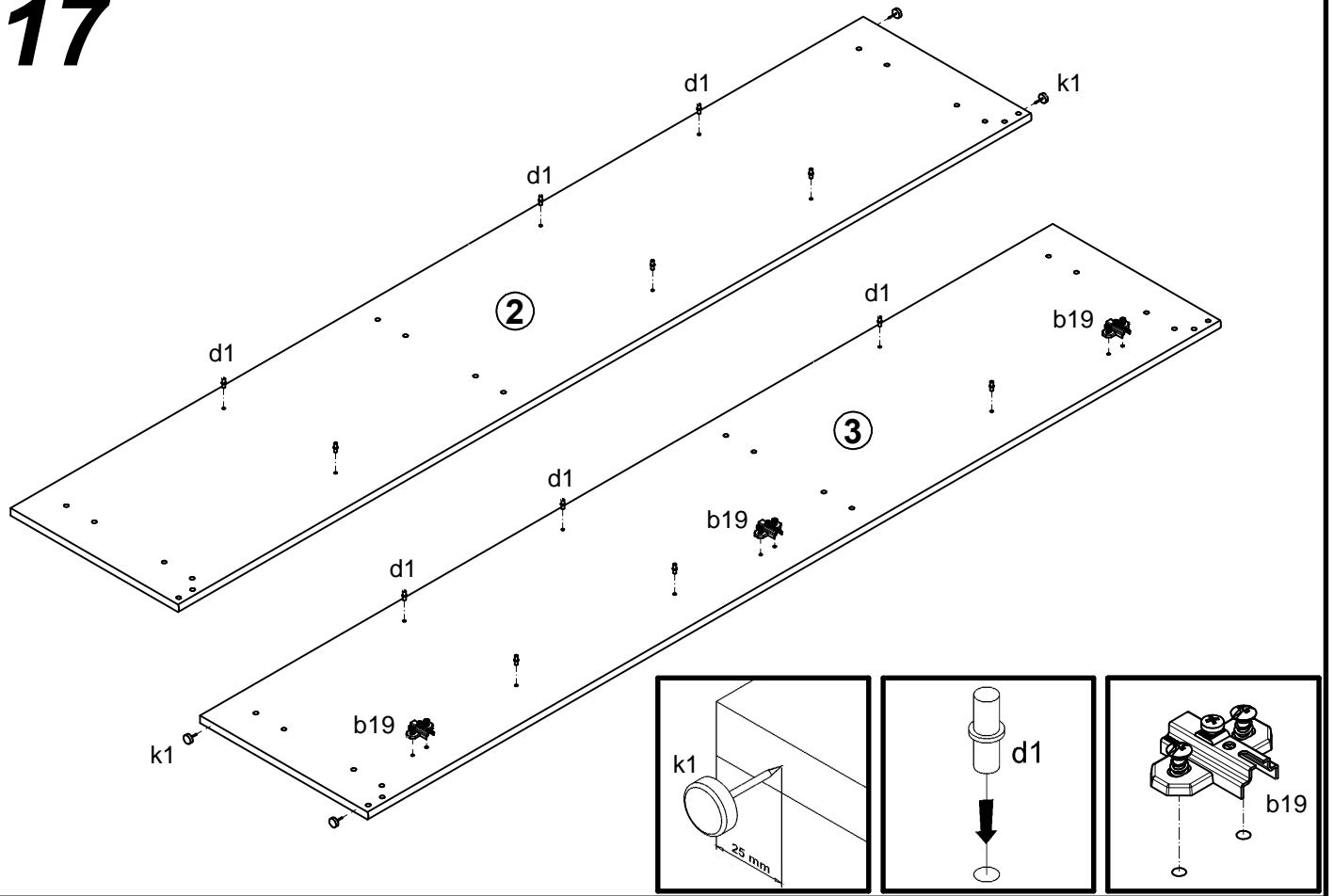
IV

M128-REG1D

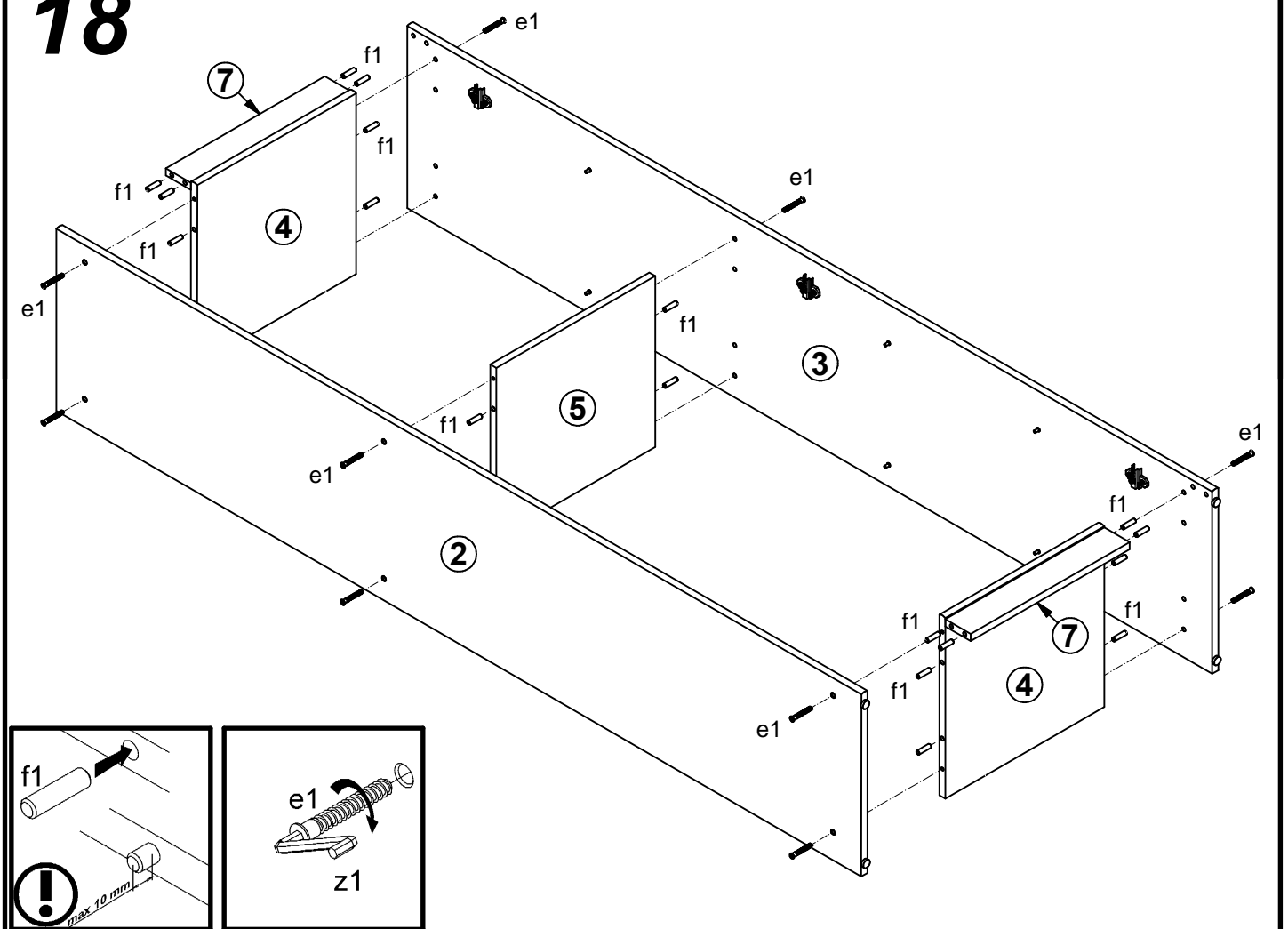
A	B	C	D	
1	M128-008	1792	380	6/7
2	M128-103	1950	385	2/7
3	M128-104	1950	385	2/7
4	M128-303	385	382	2/7
5	M128-304	385	360	2/7
6	M128-305	384	360	2/7
7	M128-402	385	61	3/7
8	M128-902	1824	411	4/7



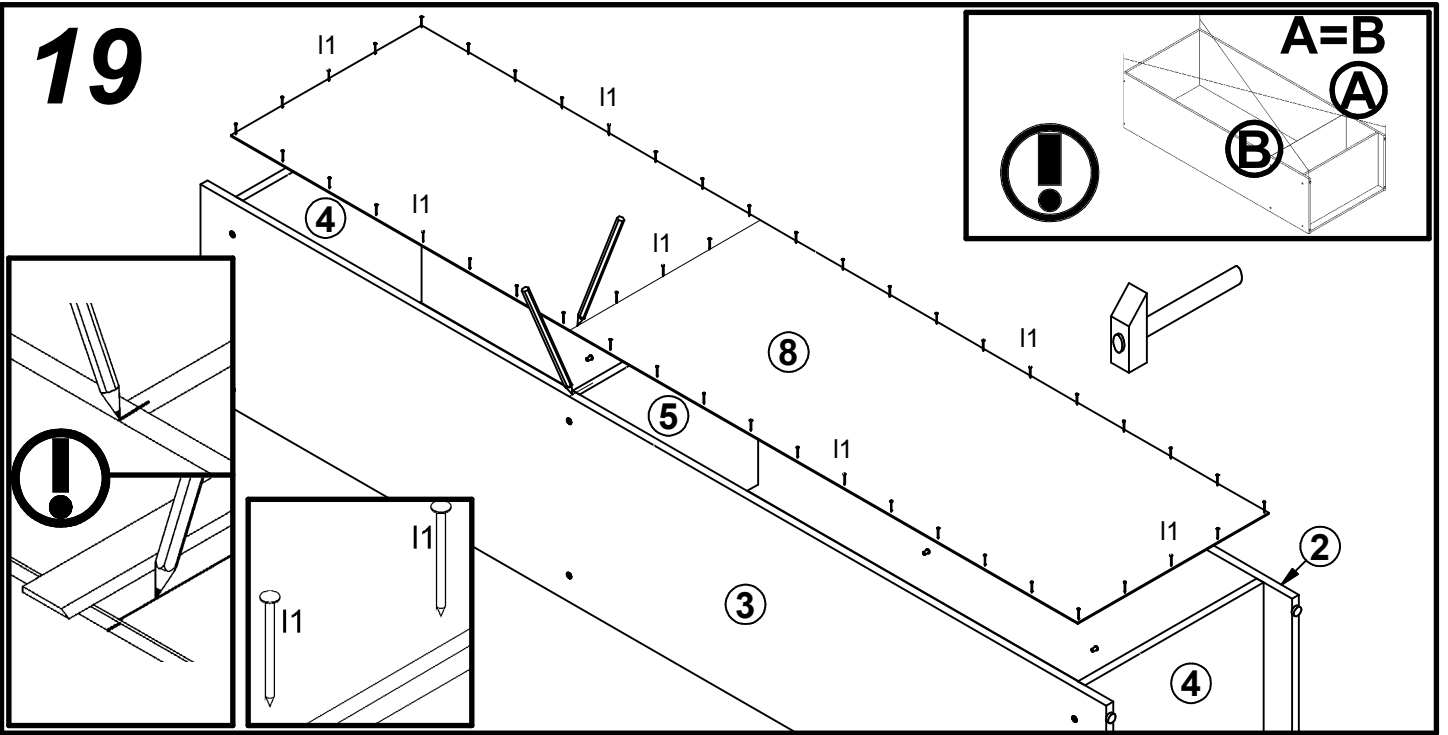
17



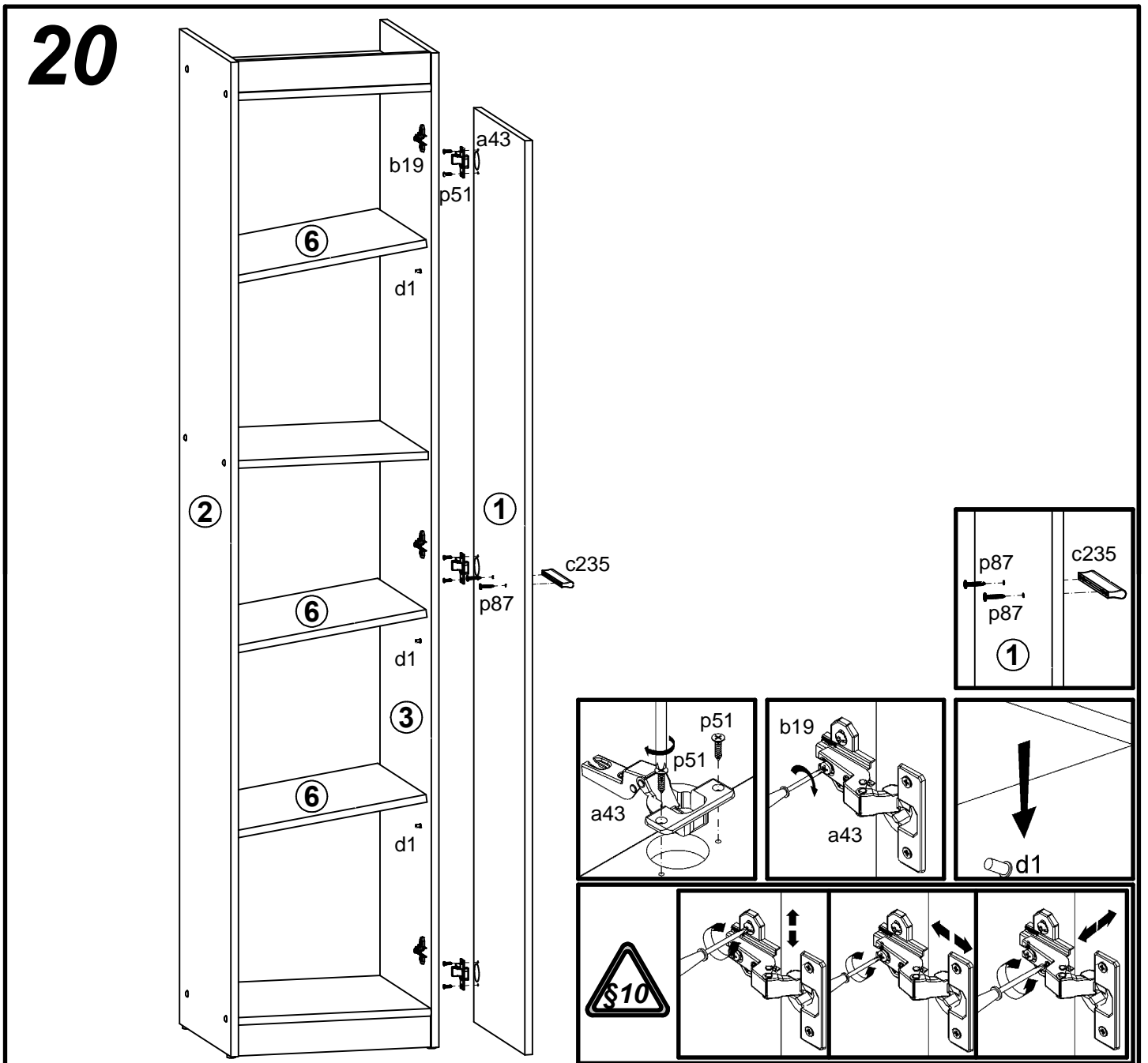
18



19

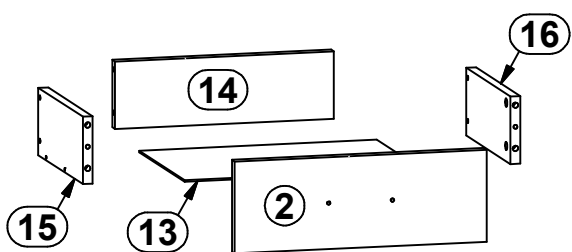
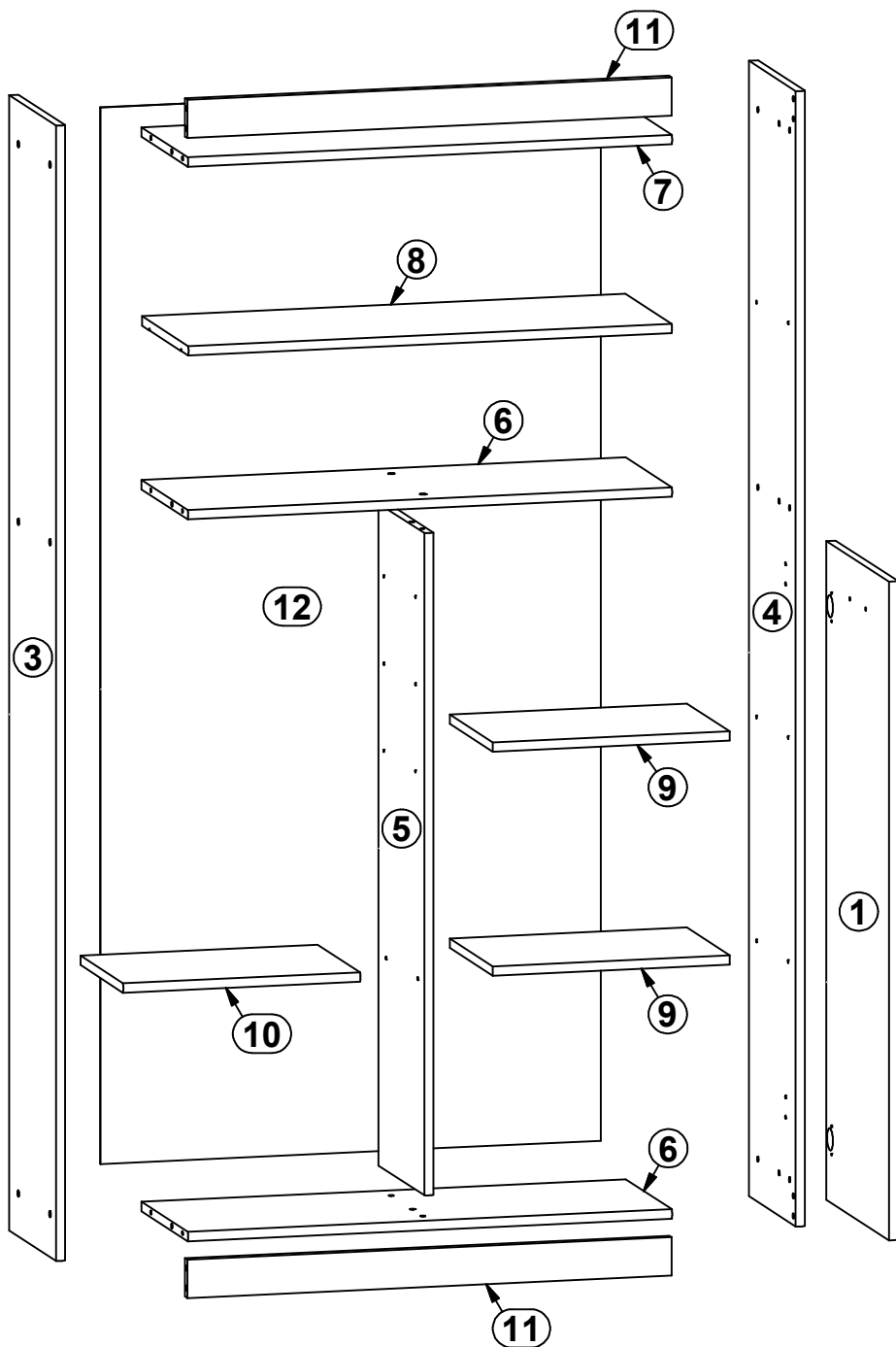
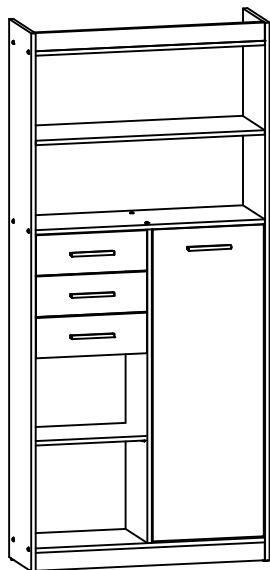


20

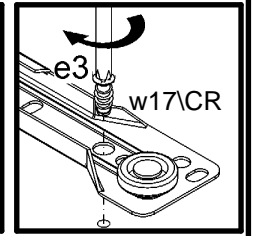
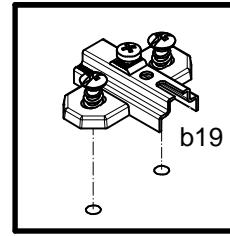
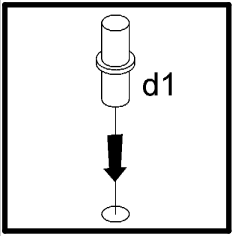
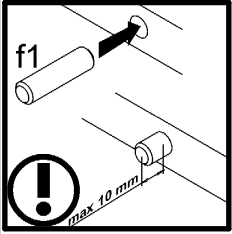
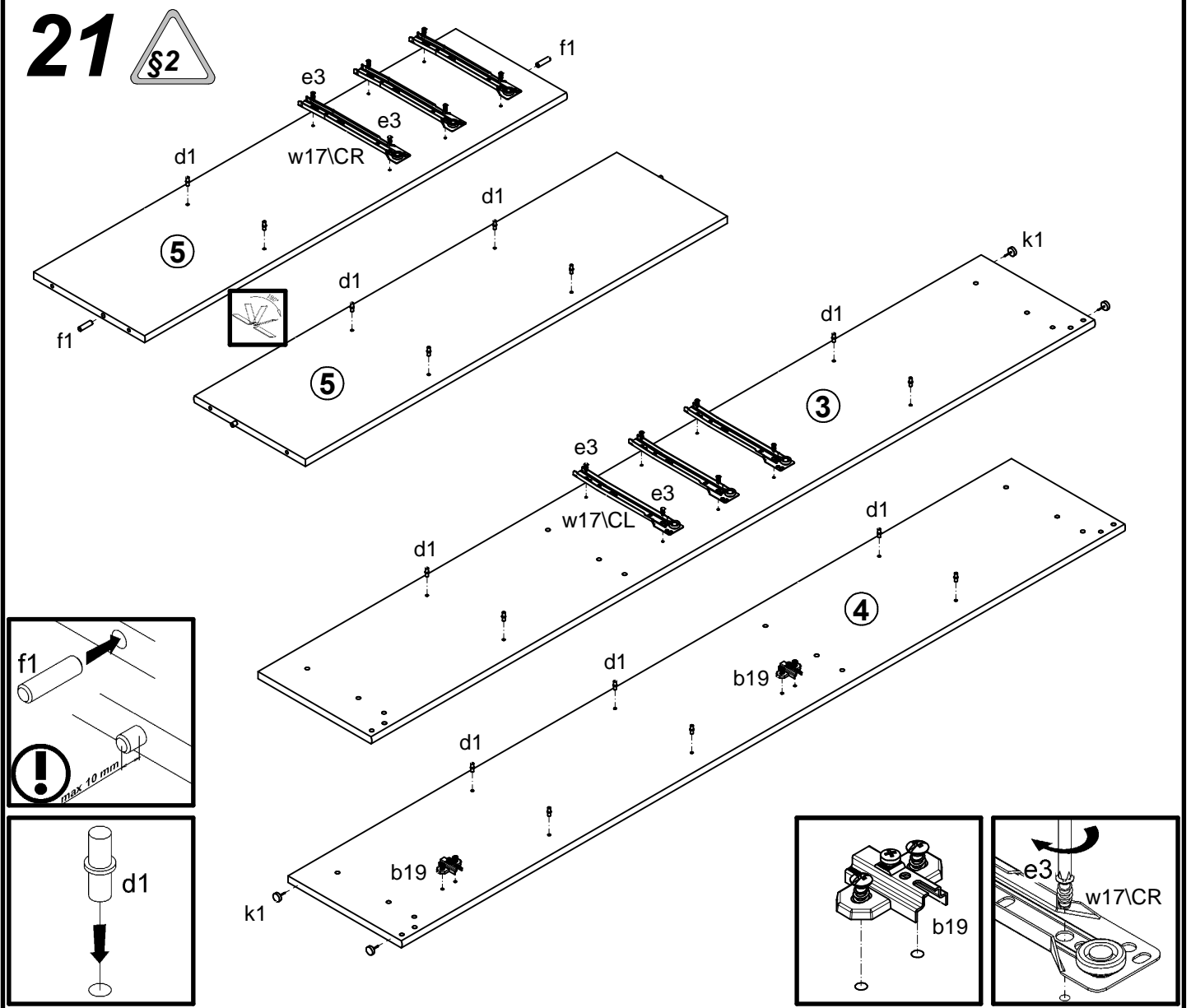




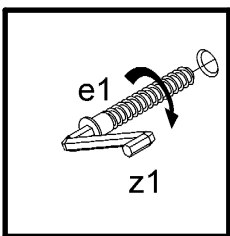
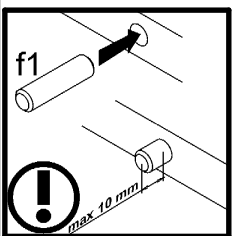
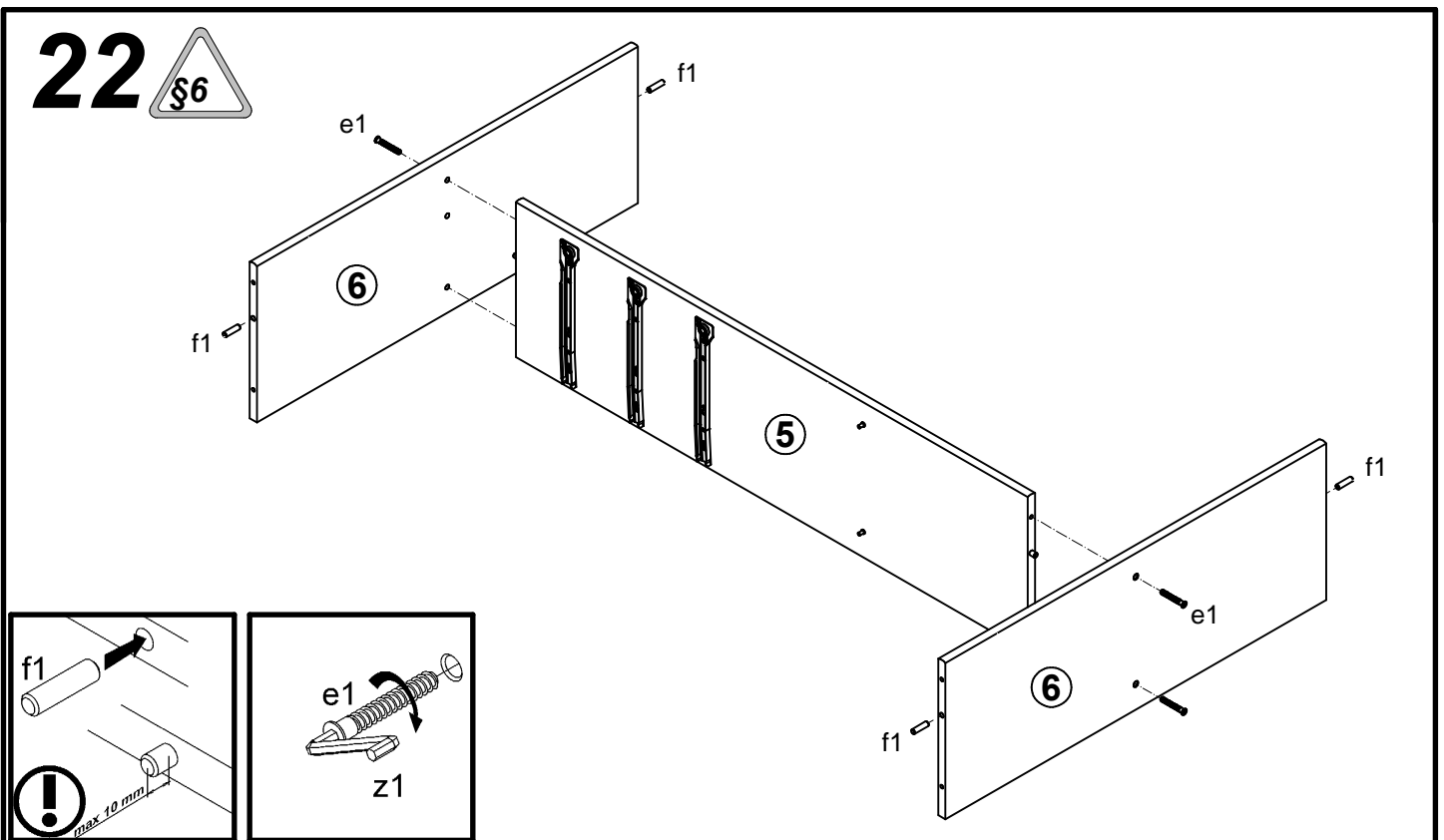
A	B	C	D	
1	M128-009	1050	380	6/7
2	M128-010	380	136	7/7
3	M128-108	1810	285	2/7
4	M128-109	1810	285	2/7
5	M128-110	1056	279	3/7
6	M128-306	786	282	2/7
7	M128-307	786	282	3/7
8	M128-308	785	282	3/7
9	M128-309	385	260	3/7
10	M128-310	385	260	3/7
11	M128-403	786	61	3/7
12	M128-903	1684	812	4/7
13	M128-904	358	255	4/7
14	ZS3-5551	330	100	2/7
15	ZS4-521	250	100	2/7
16	ZS4-522	250	100	2/7



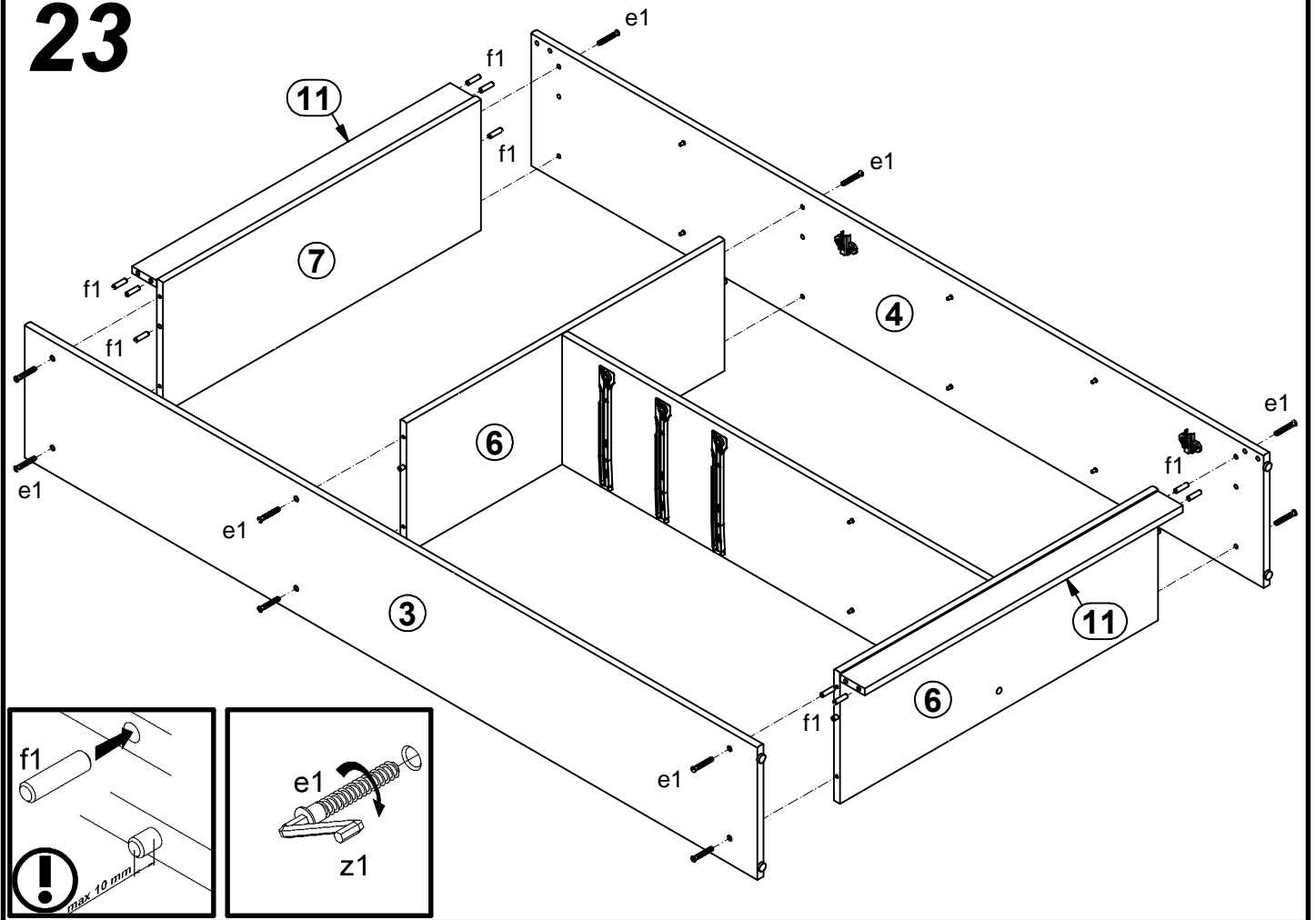
21



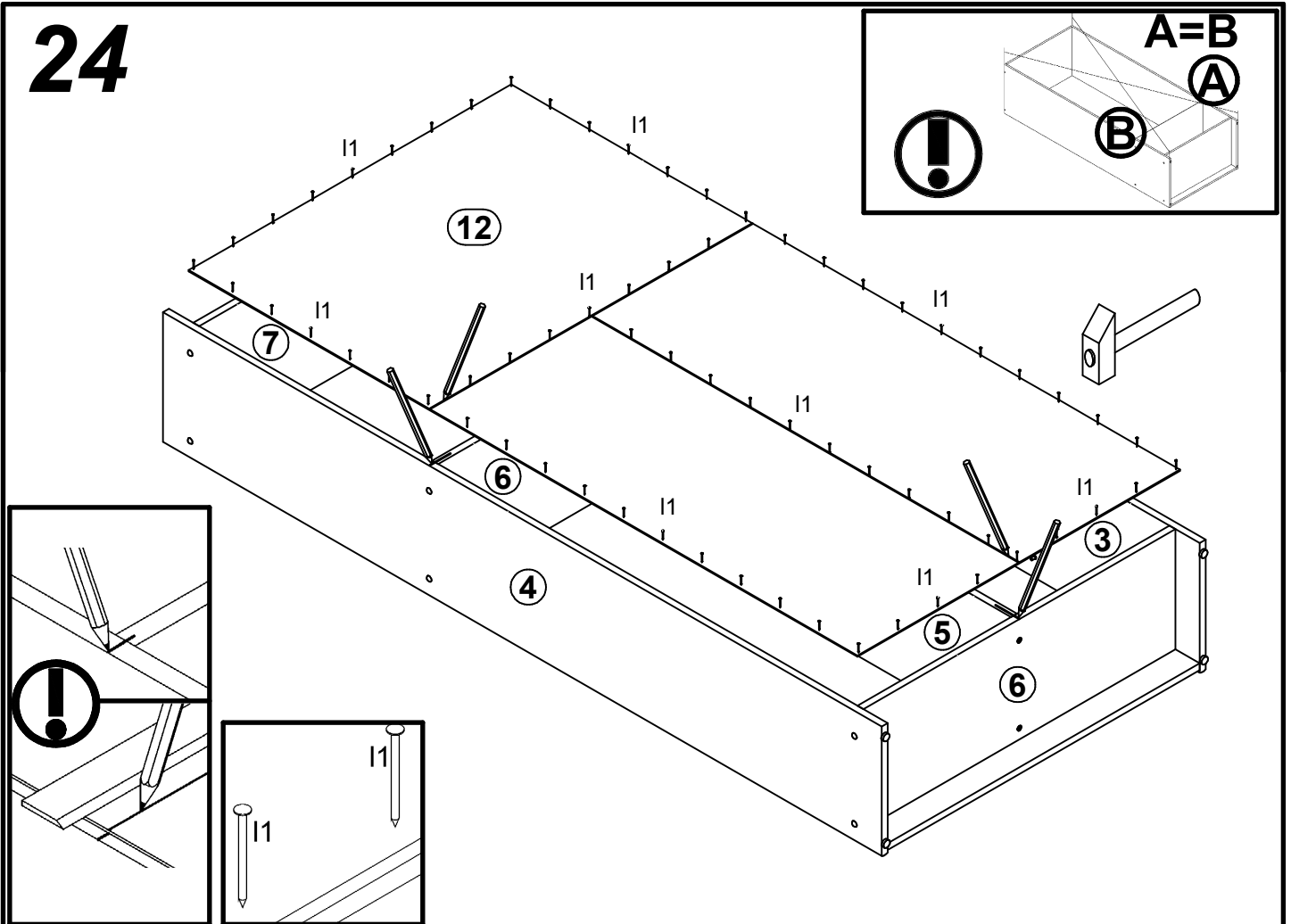
22



23



24



24

