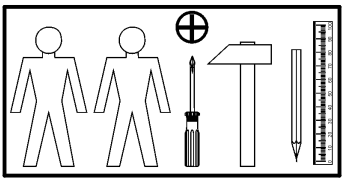
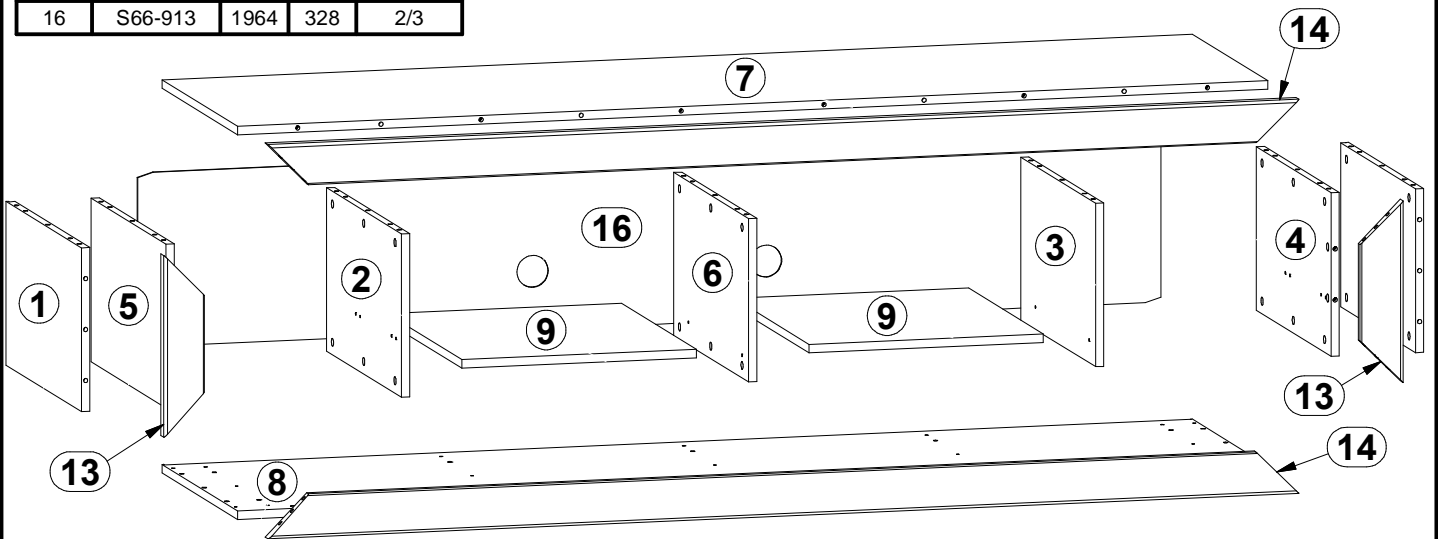
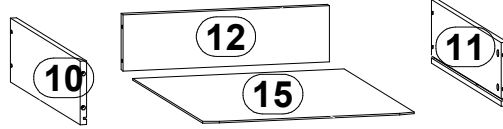
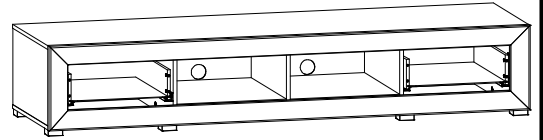
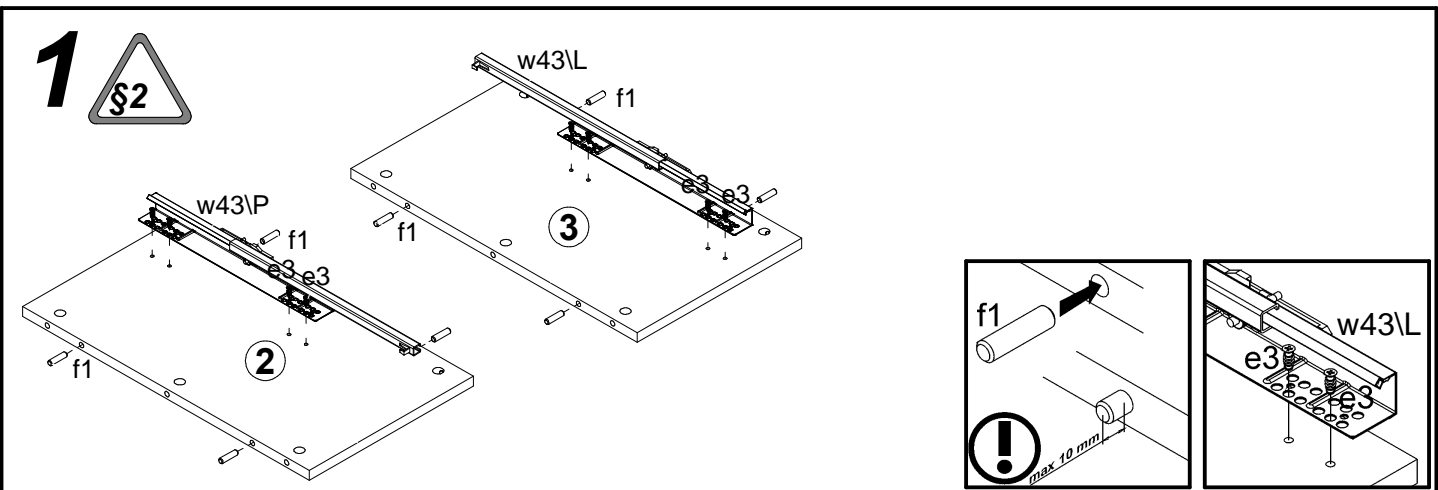


S66-RTV2S/4/20 10 010 30

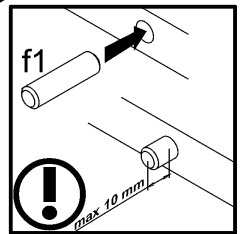
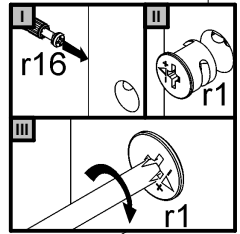
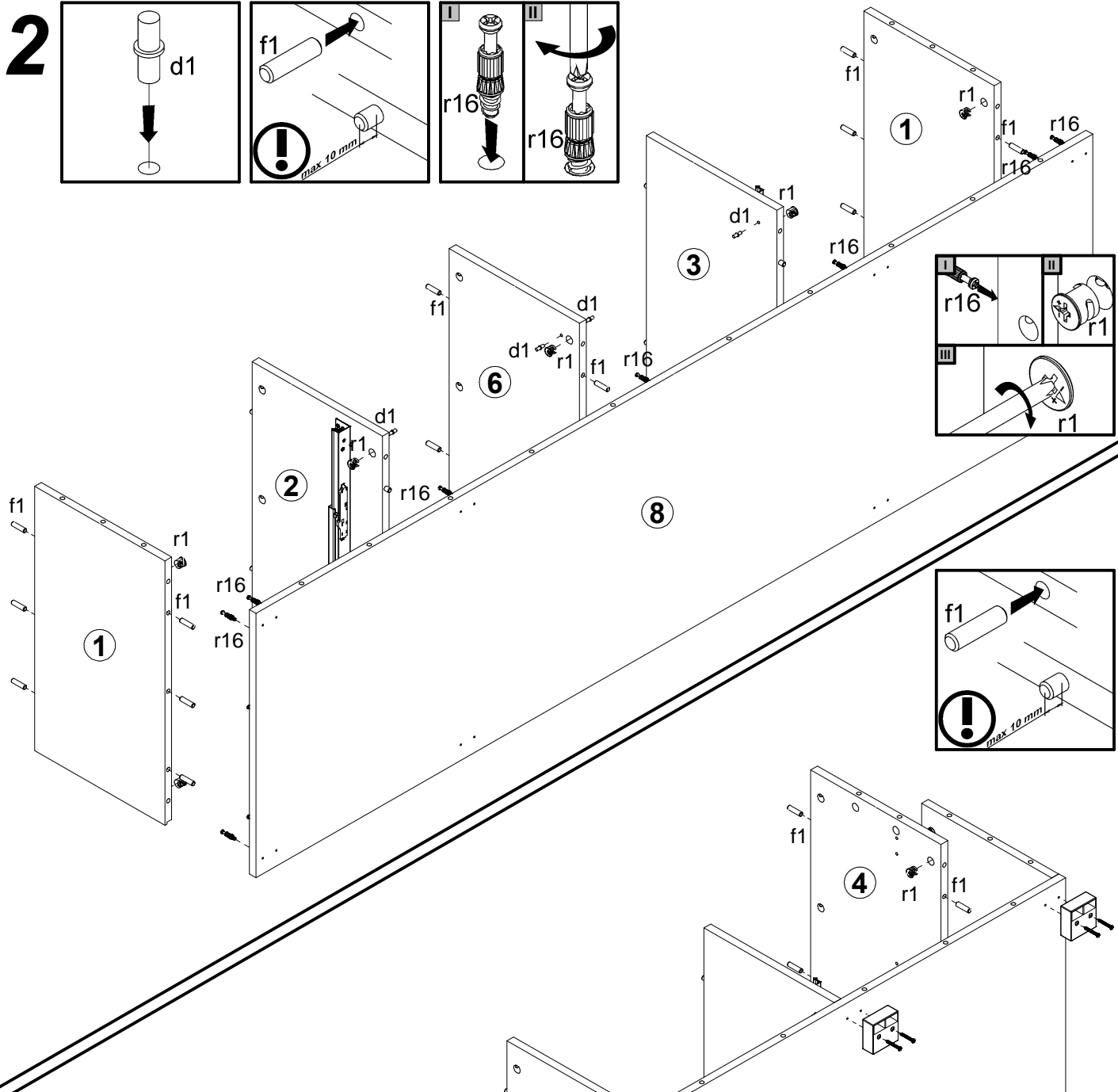
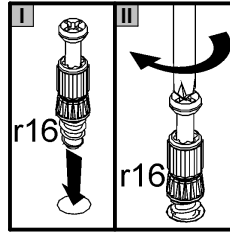
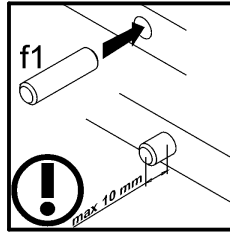
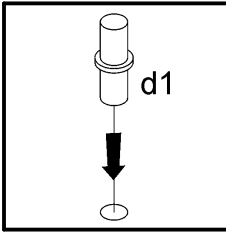
A	B	C	D	
1	S66-115	308	540	1/3
2	S66-116	308	536	1/3
3	S66-117	308	536	1/3
4	S66-118	308	536	1/3
5	S66-119	308	536	1/3
6	S66-125	308	536	1/3
7	S66-213	1977	540	2/3
8	S66-214	1977	540	2/3
9	S66-308	450	536	1/3
10	S66-504	500	120	2/3
11	S66-505	500	120	2/3
12	S66-507	396	106	2/3
13	S66-559	342	80	3/3
14	S66-563	1978	80	3/3
15	S66-909	508	406	2/3
16	S66-913	1964	328	2/3



8x φ5x17 mm d1	16x φ6x13 mm e3	54x φ8x30 mm f1	8x φ6.5x40 mm f25	8x k55	65x l1	16x φ4x35 mm p6	62x φ1.5x12mm #16 r1	4x r10
8x φ12x10.5mm #12 r15	62x r16	3x ø16 s2	2x 500 mm w43\L	2x 500 mm w43\P	1x z1			



2



3

