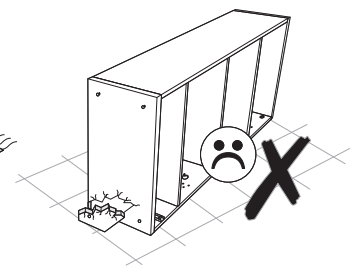
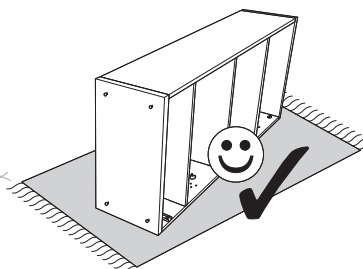
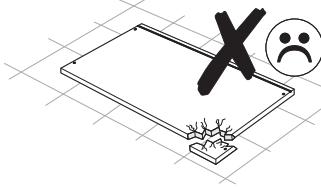
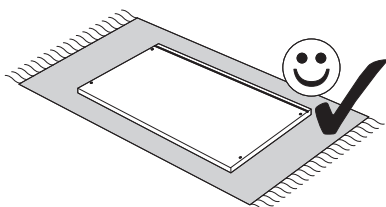
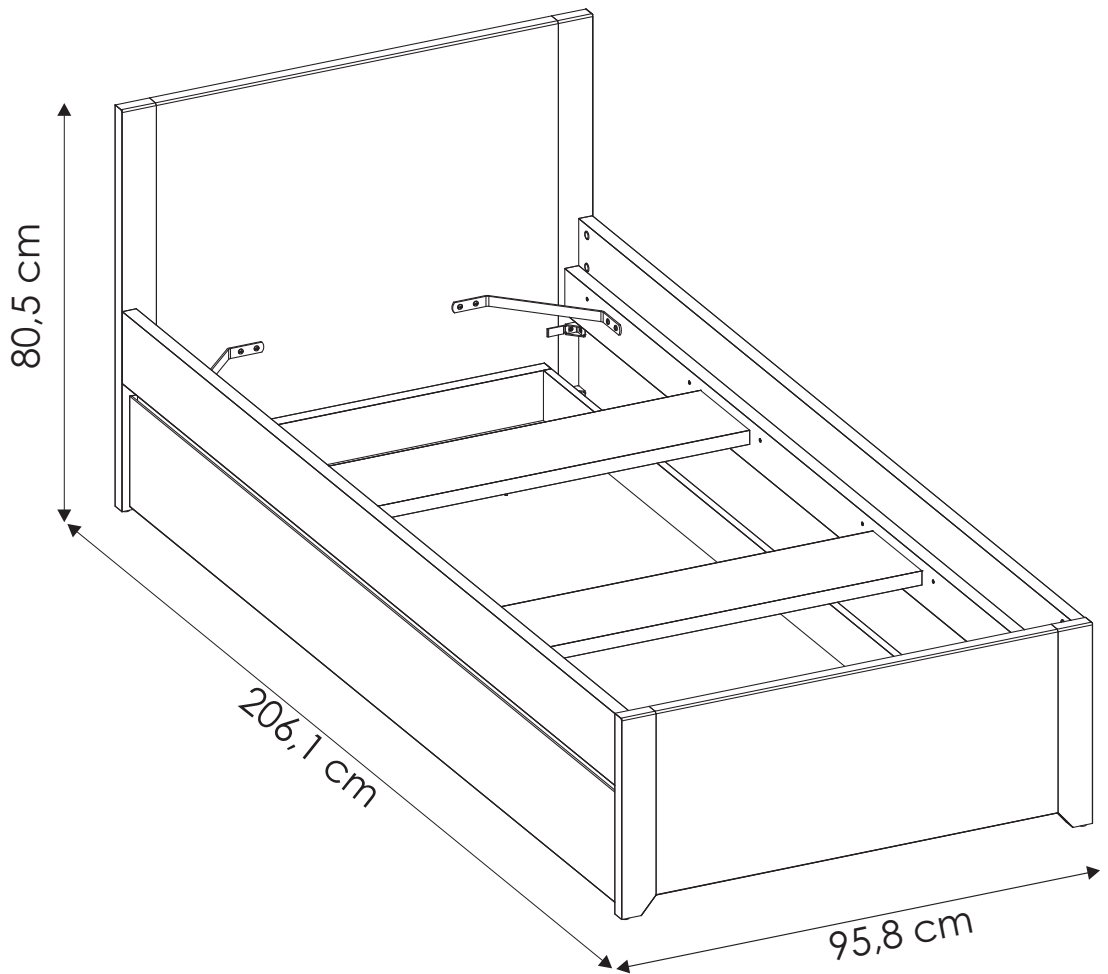
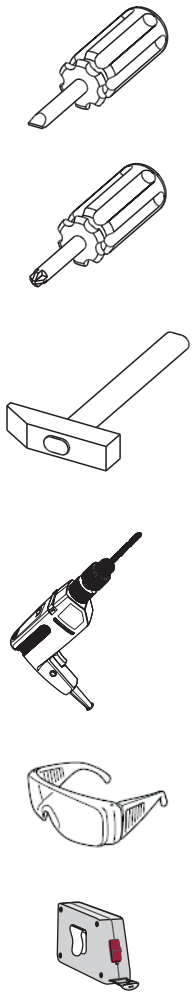
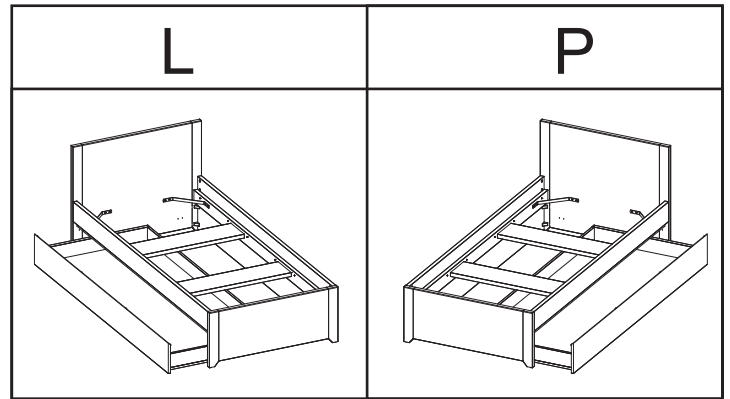
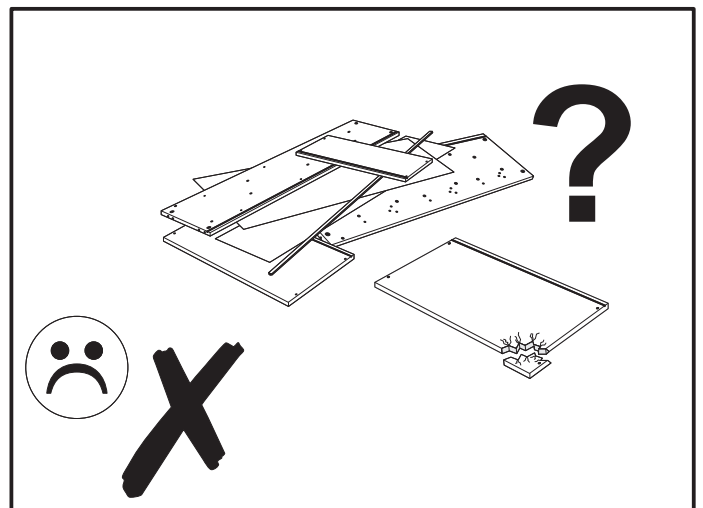
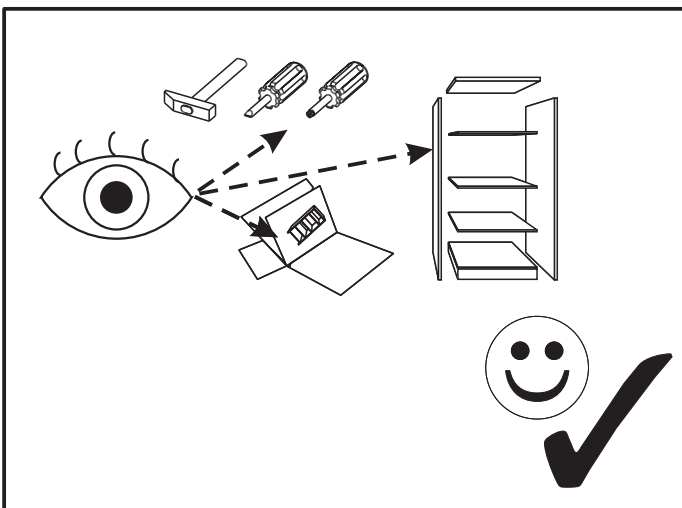
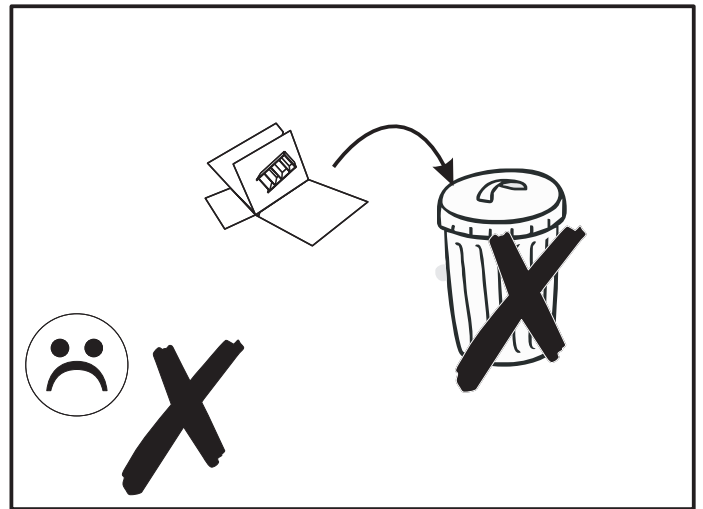
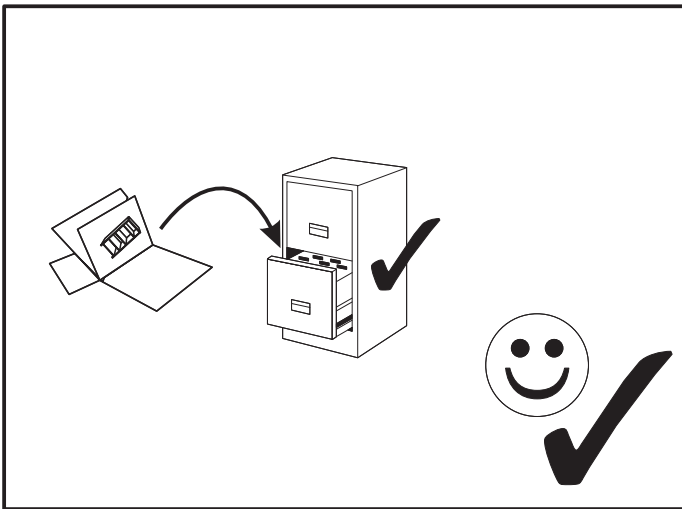
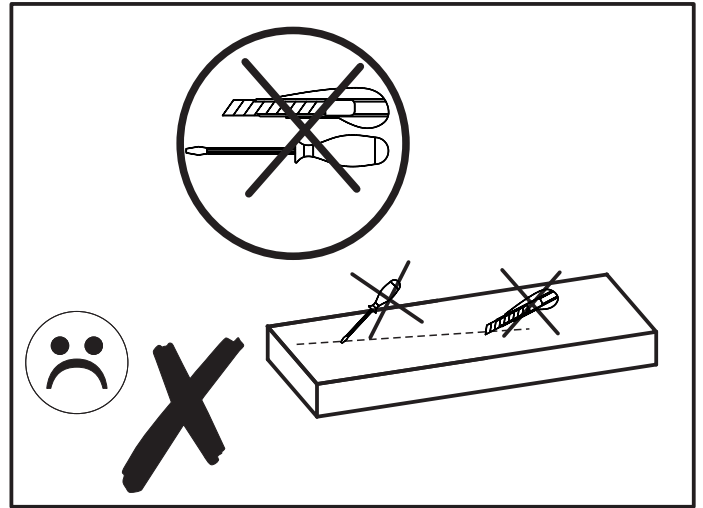
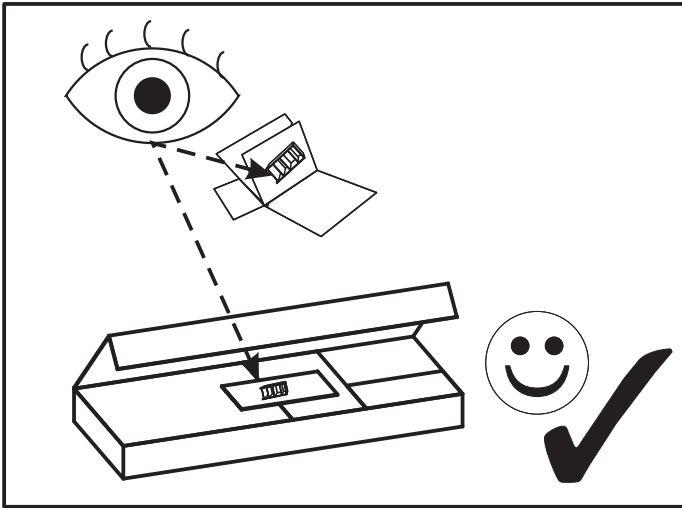
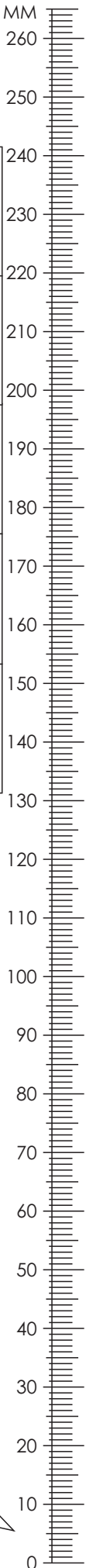








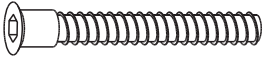

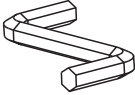

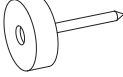


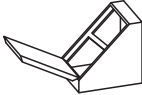

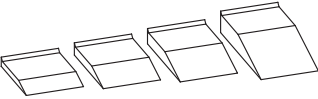
# ANGEL 90

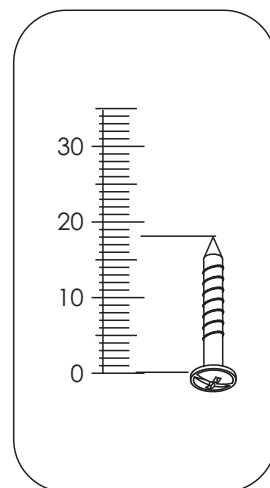




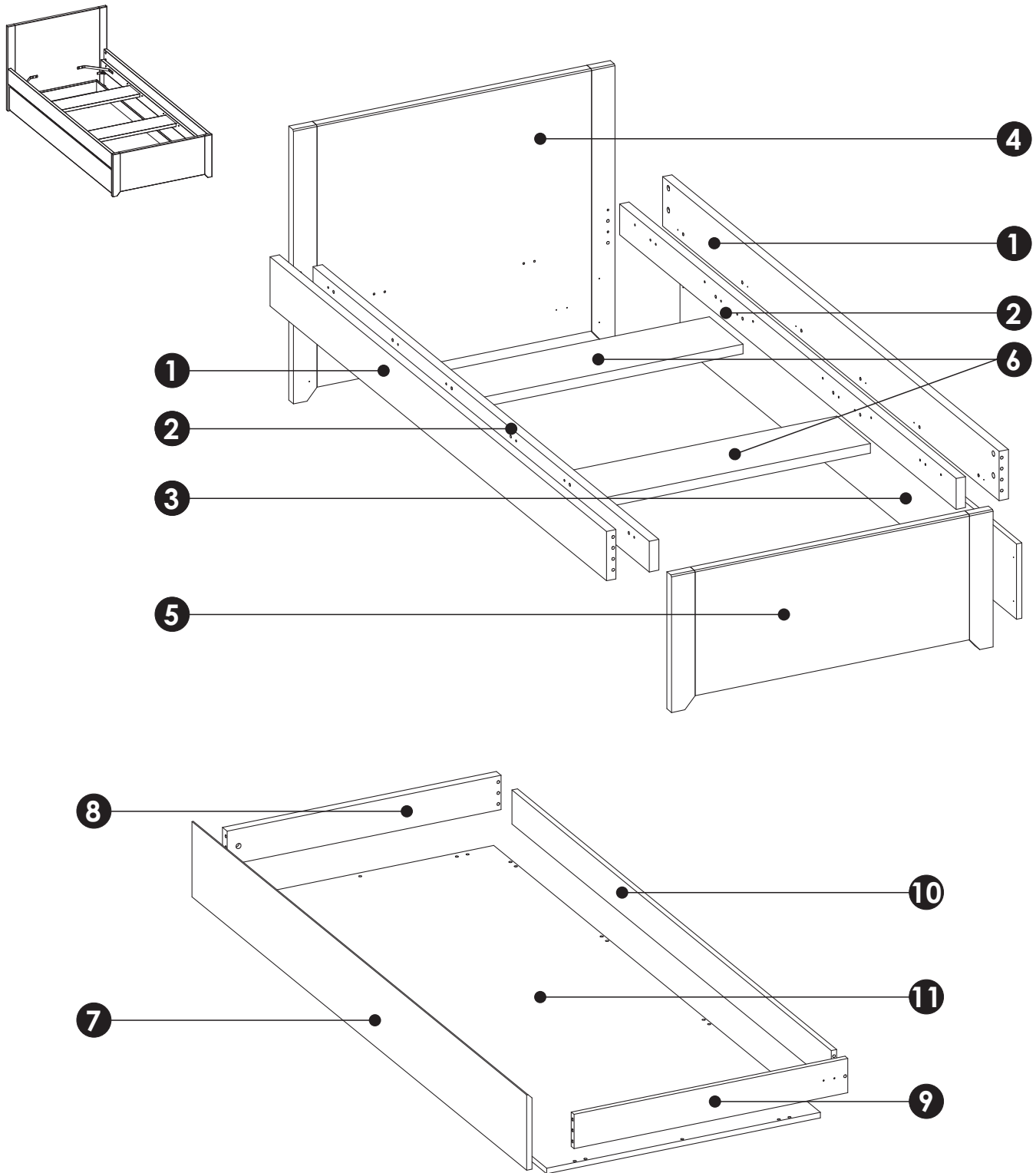
# ANGEL 90



<p><b>A1</b> x 48 <math>\varnothing</math>8 x 35 mm</p> 	<p><b>C3</b> x16 6,3 x 16 mm</p> 	<p><b>E0</b> x 22</p> 
<p><b>E1</b> x 22 <math>\varnothing</math>15 x 12 mm</p> 	<p><b>F1</b> x22</p> 	<p><b>G0</b> x 12</p> 
<p><b>G1</b> x12 <math>\varnothing</math>7 x 50 mm</p> 	<p><b>I20</b> x 12 4 x 50mm</p> 	<p><b>M</b> x 1</p> 
<p><b>N2</b> x 28 3,5 x 16 mm</p> 	<p><b>O2</b> x 4</p> 	<p><b>O5</b> x 10</p> 
<p><b>R10</b> x 4</p> 	<p><b>W</b> x 4</p> 	<p><b>X4</b> x 4</p> 
<p><b>Z</b> x 1</p> 		



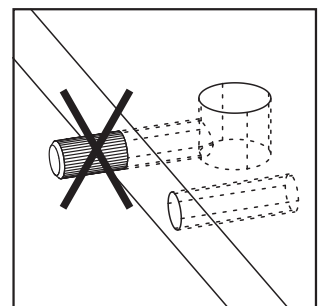
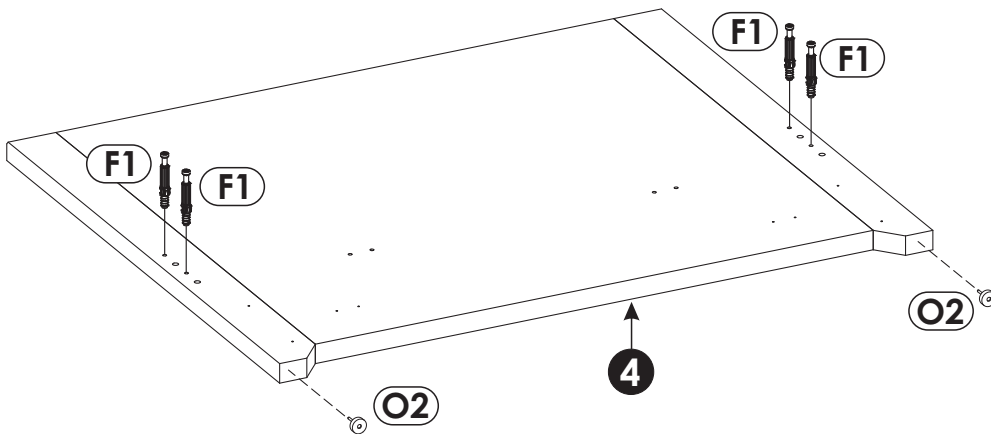
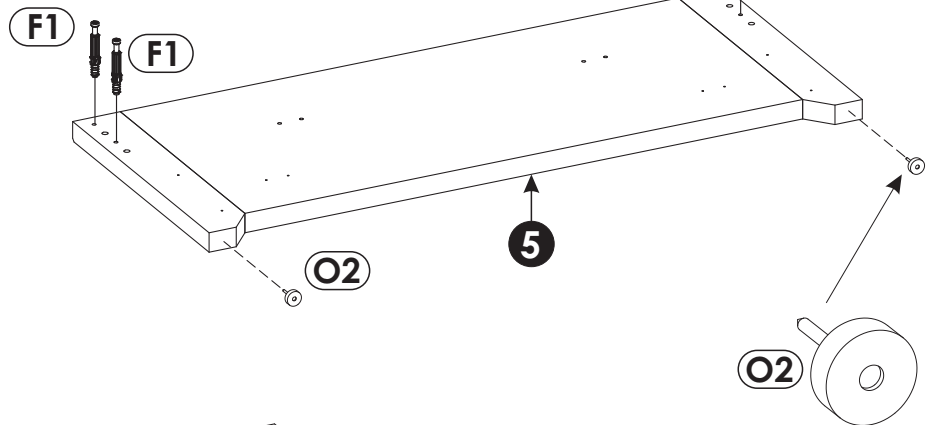
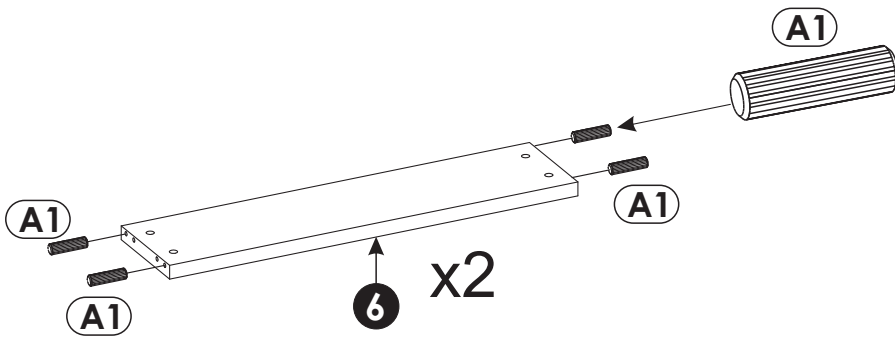
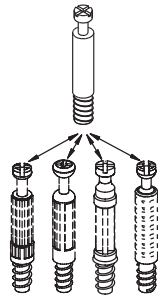
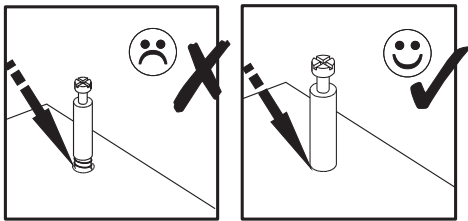
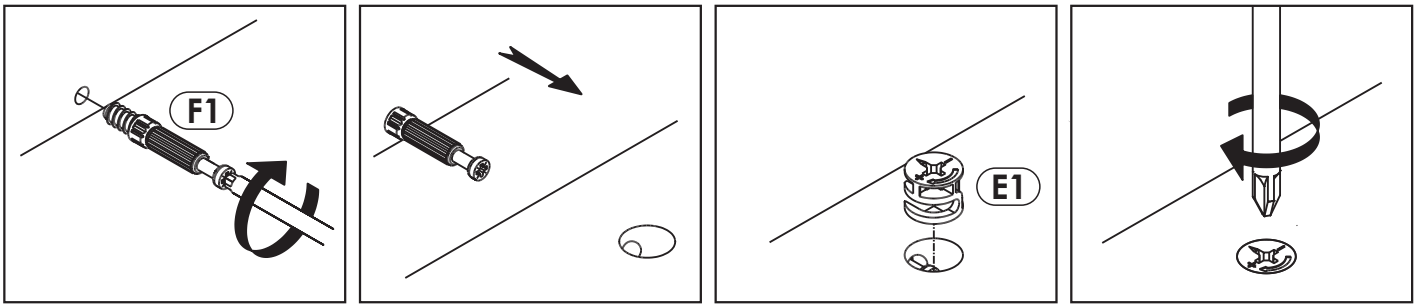
# ANGEL 90



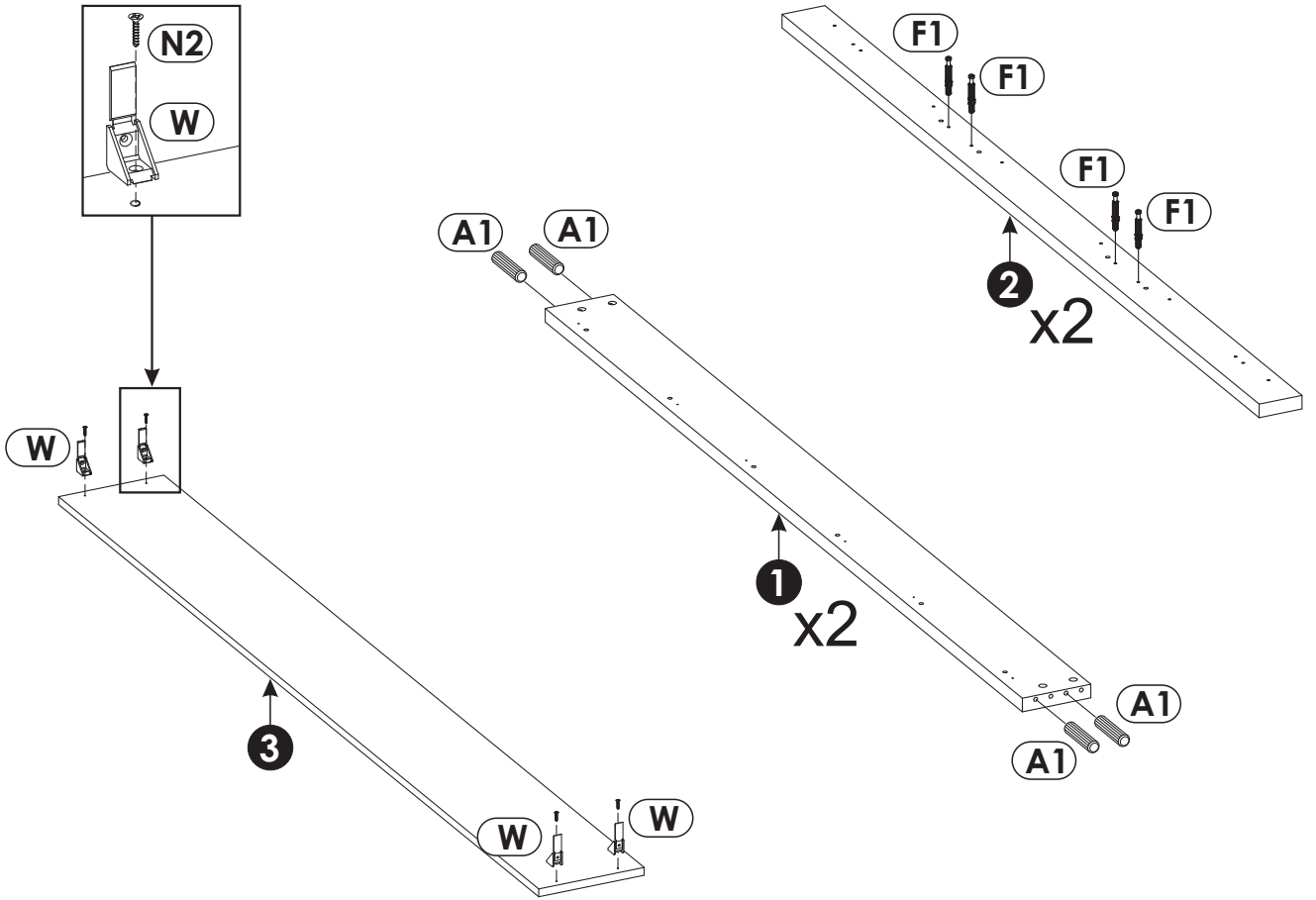
<b>1</b>	2005	144	28	x2	3/3
<b>2</b>	2005	90	28	x2	2/3
<b>3</b>	2005	220	16	x1	2/3
<b>4</b>	958	800	28	x1	1/3

<b>5</b>	958	400	28	x1	1/3
<b>6</b>	844	200	28	x2	1/3
<b>7</b>	1995	220	16	x1	2/3
<b>8</b>	816	100	28	x1	3/3

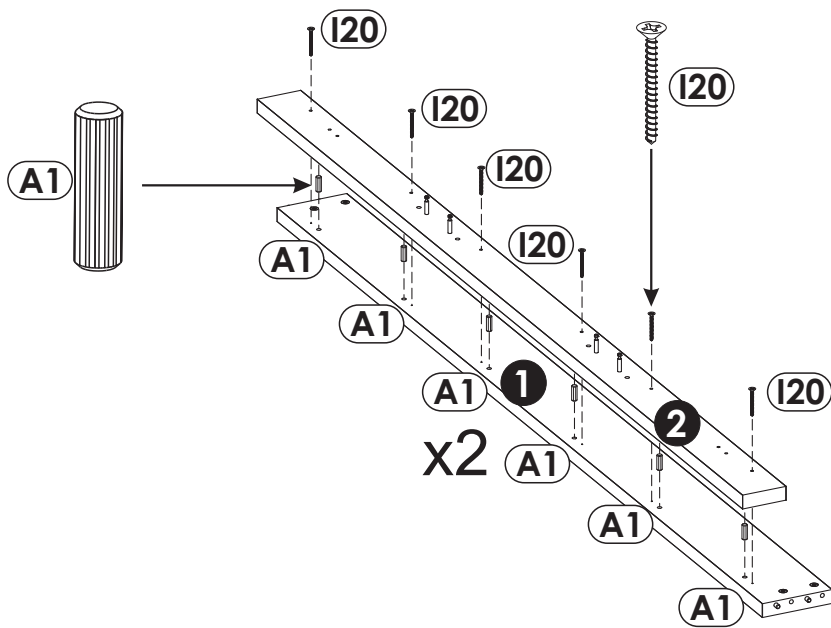
<b>9</b>	816	100	16	x1	2/3
<b>10</b>	1903	100	16	x1	2/3
<b>11</b>	1948	816	16	x1	3/3



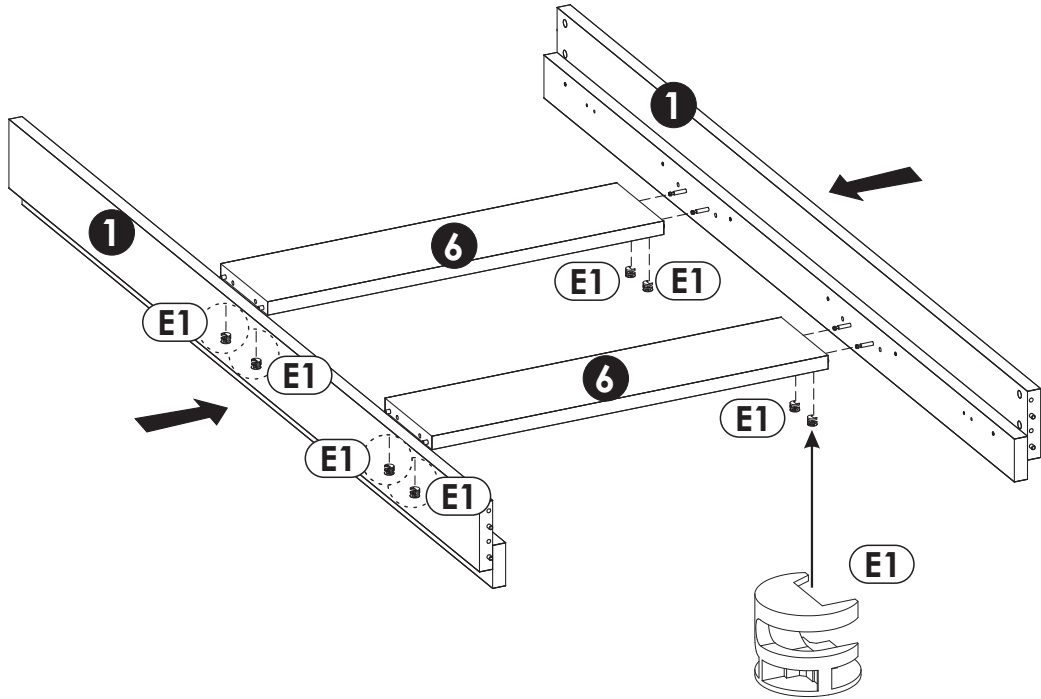
2 ▶



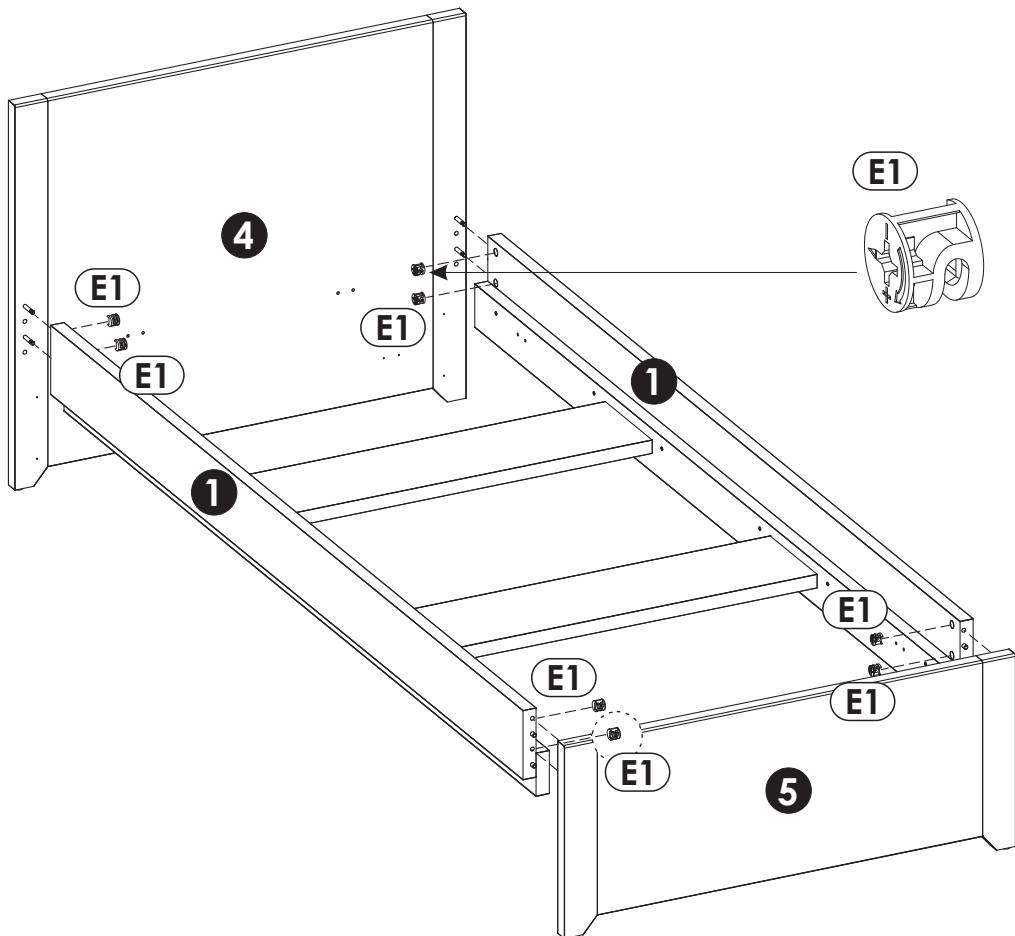
3 ▶



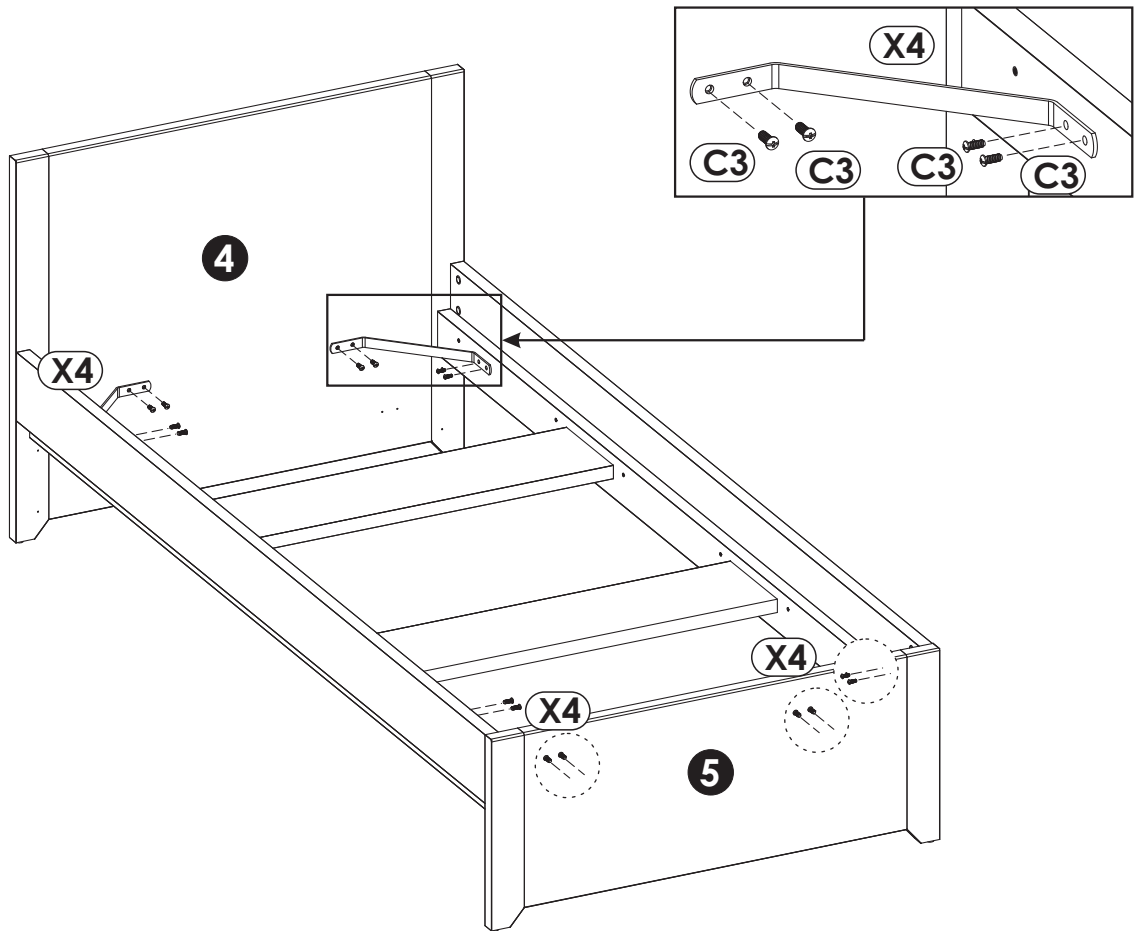
4▶



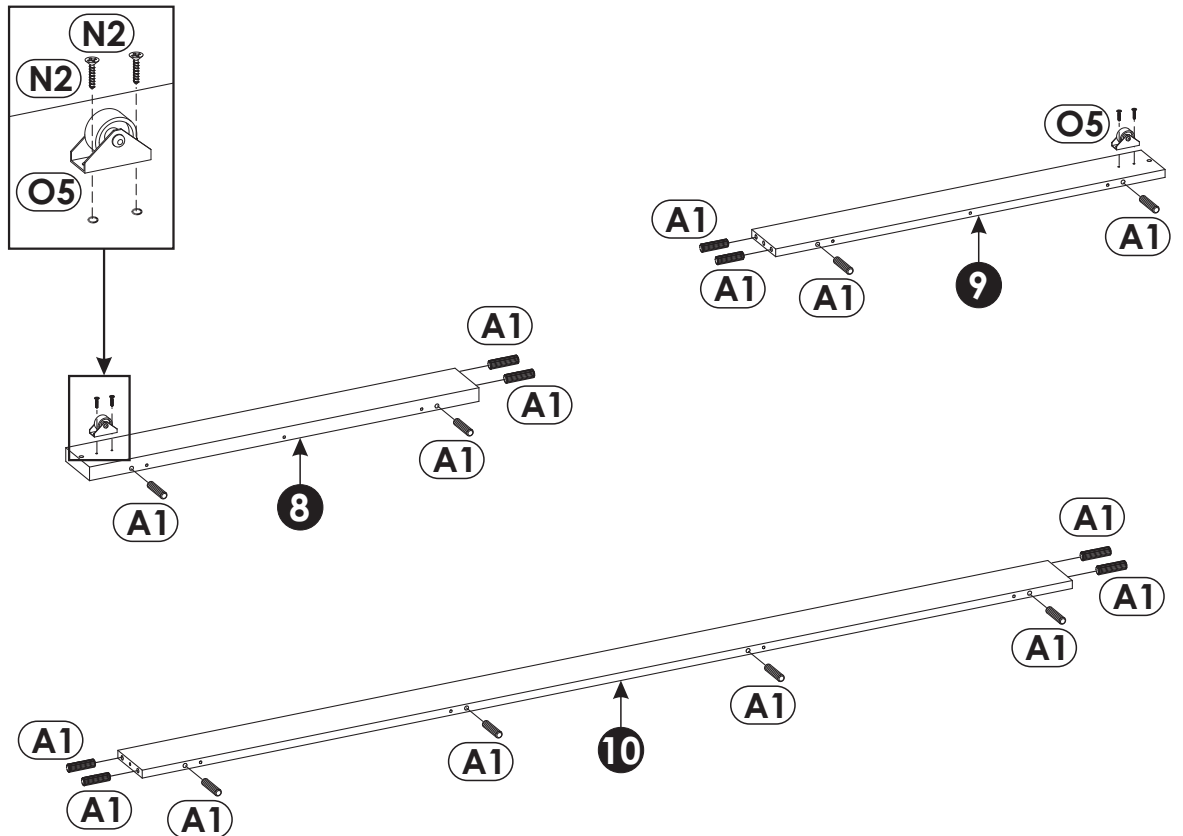
5▶



6 ▶

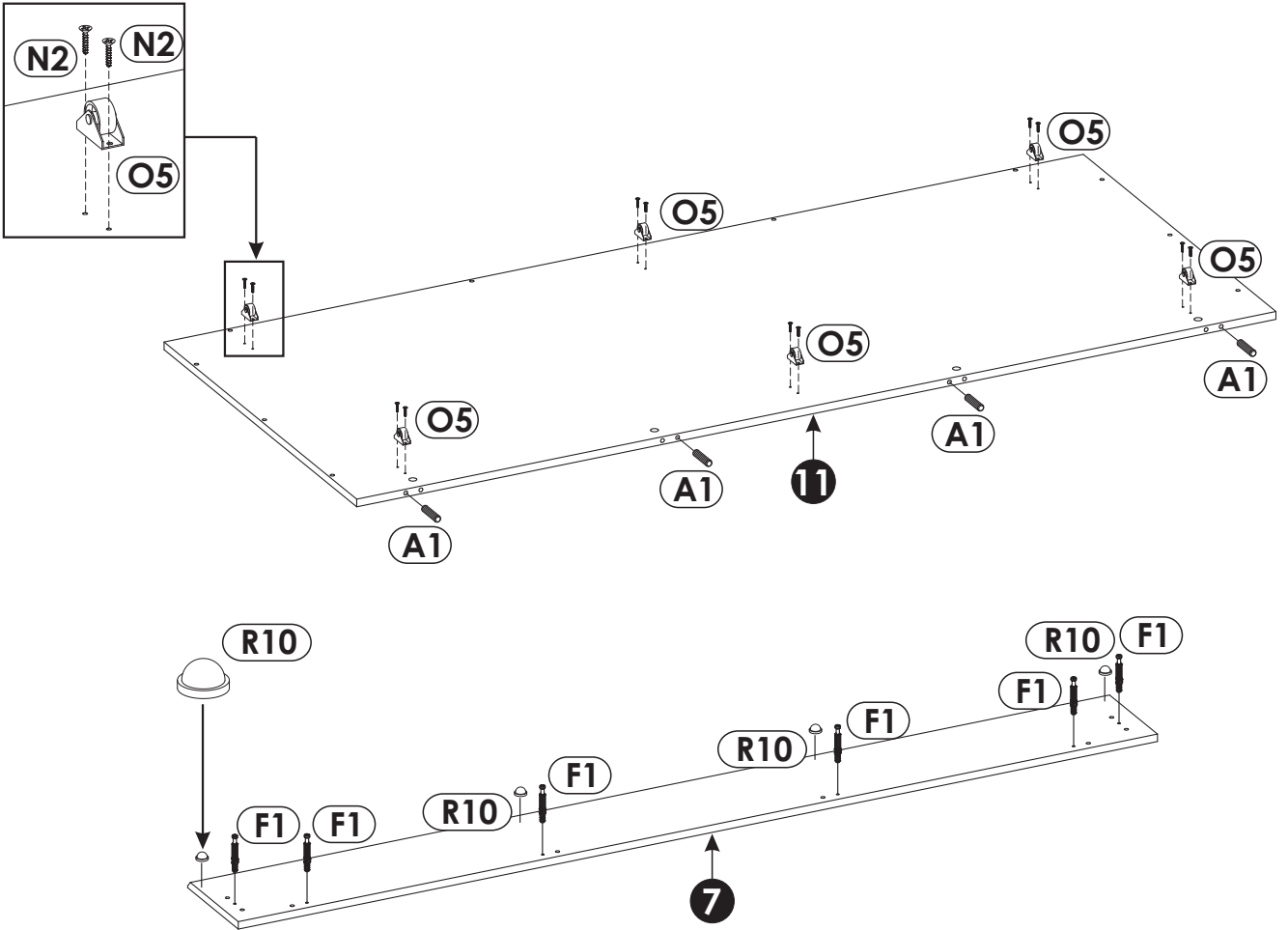


7 ▶

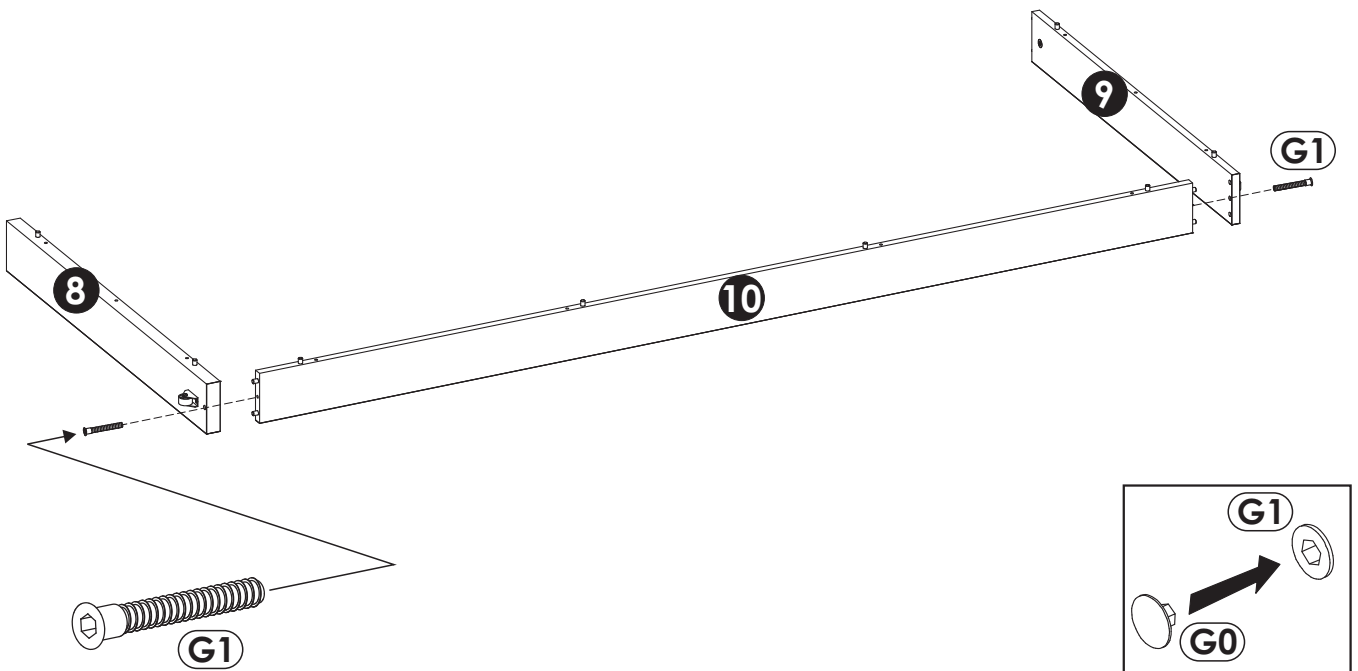




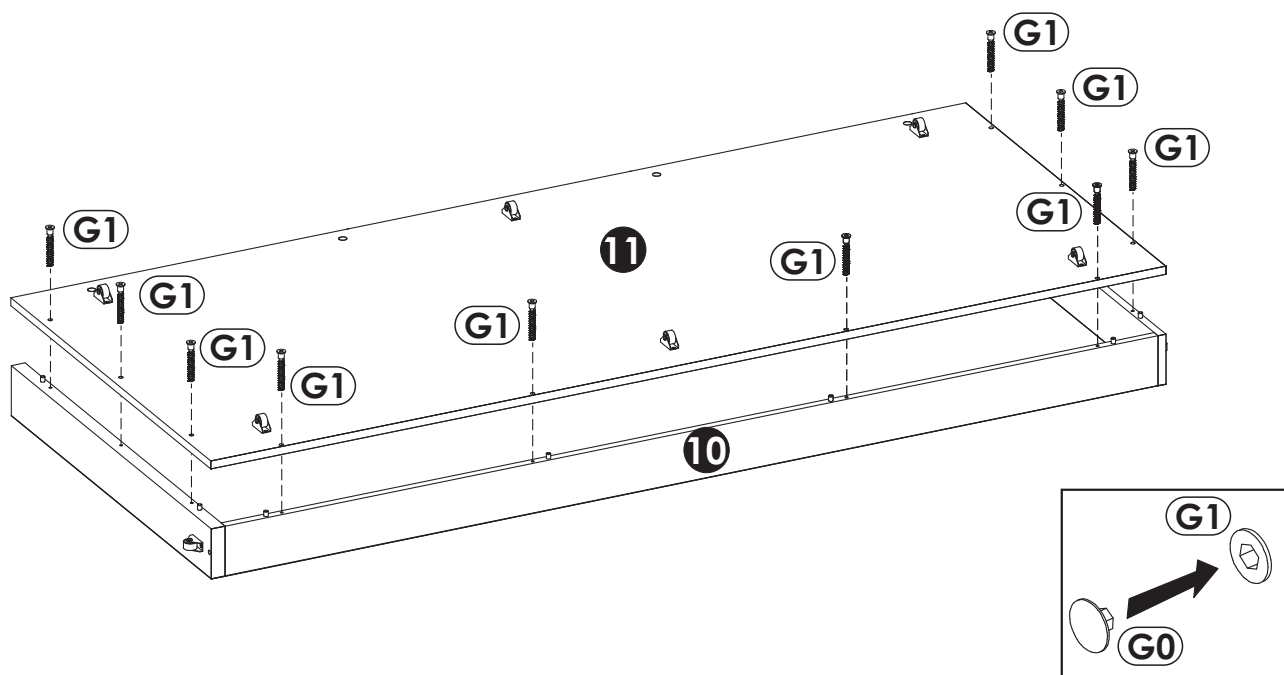
8 ▶



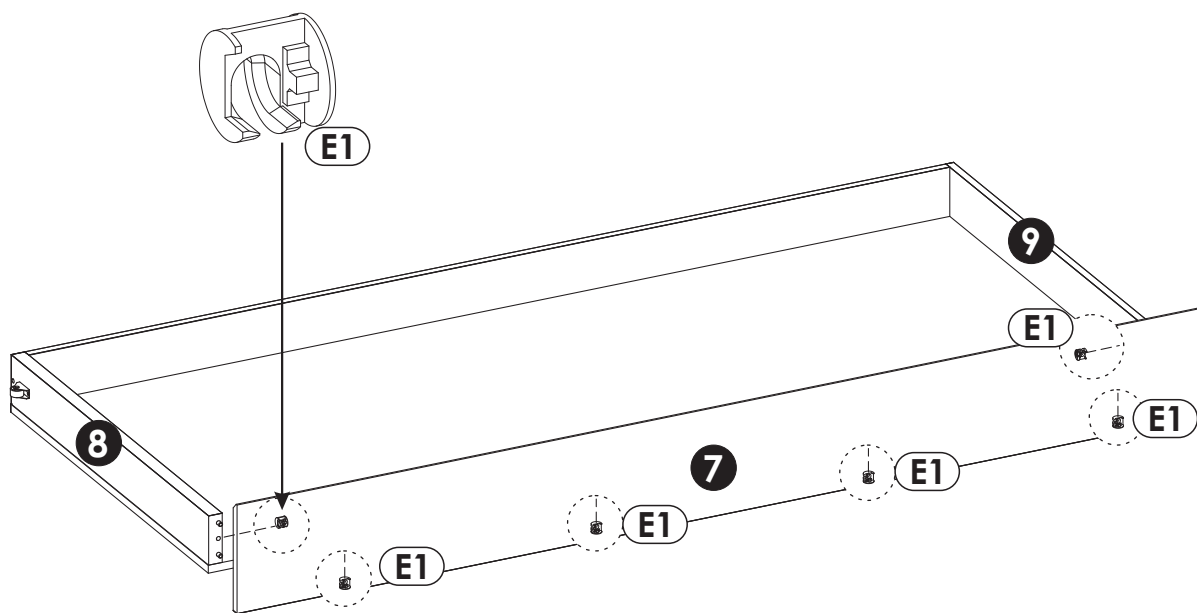
9 ▶



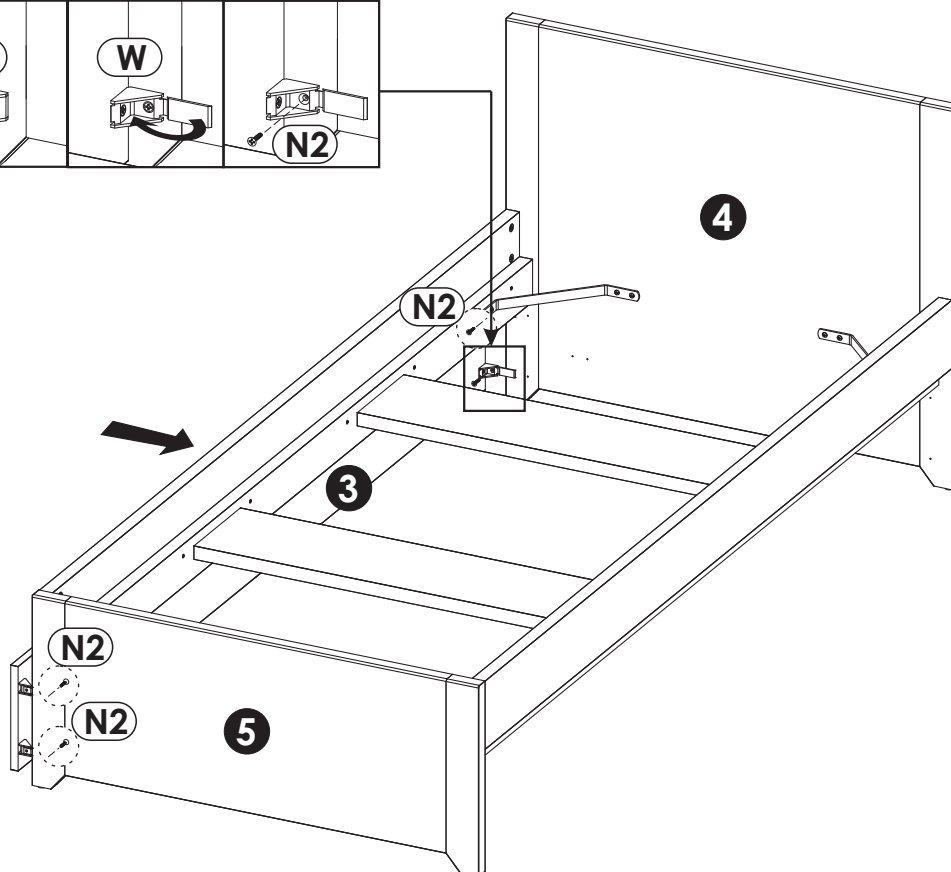
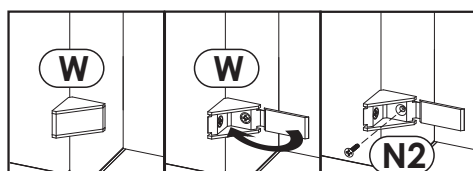
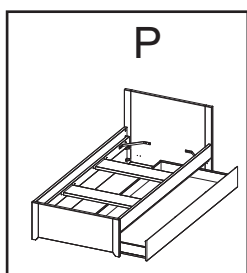
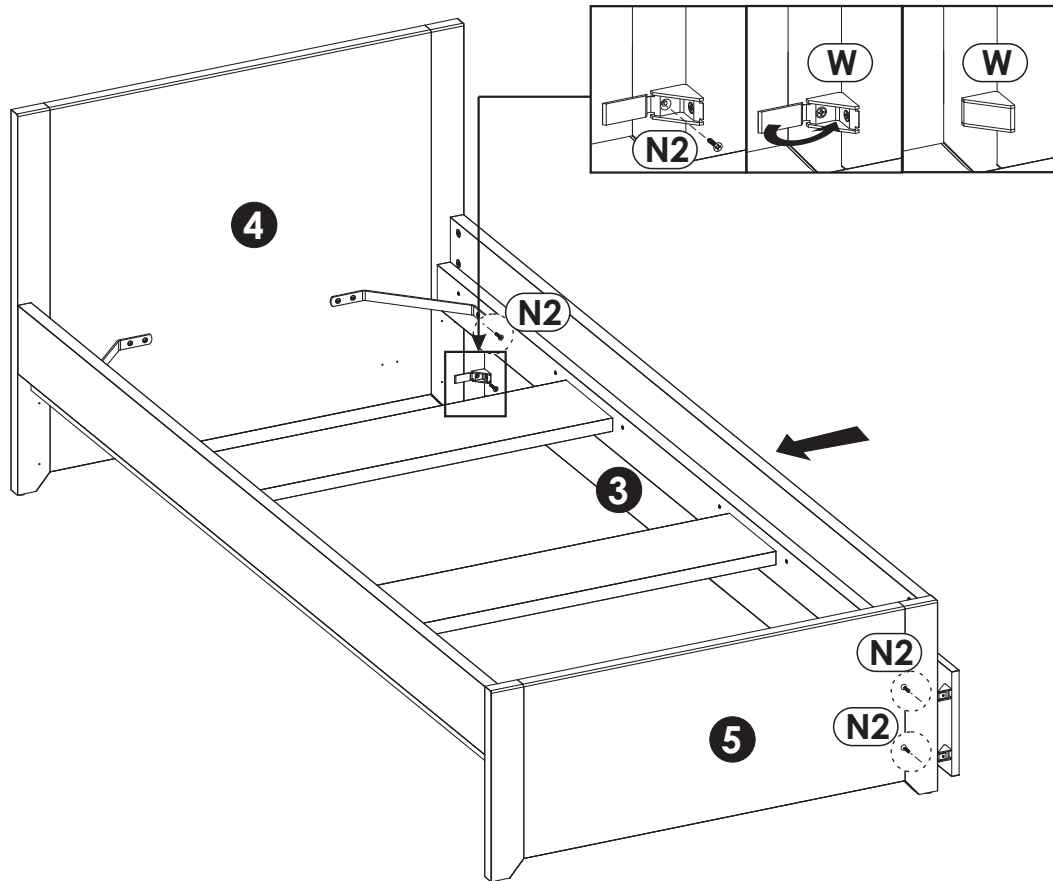
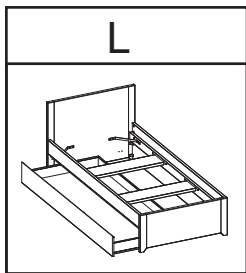
10 ▶



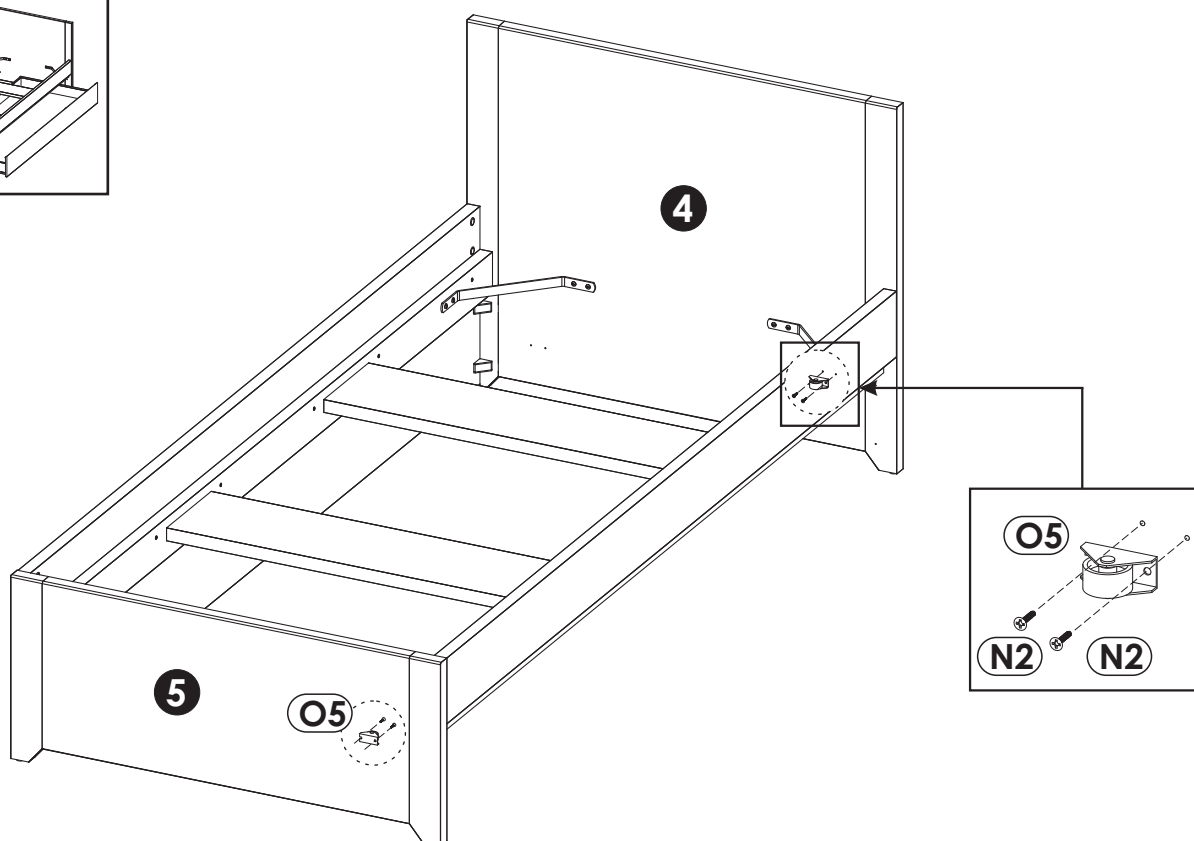
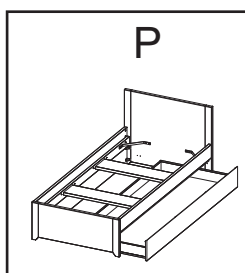
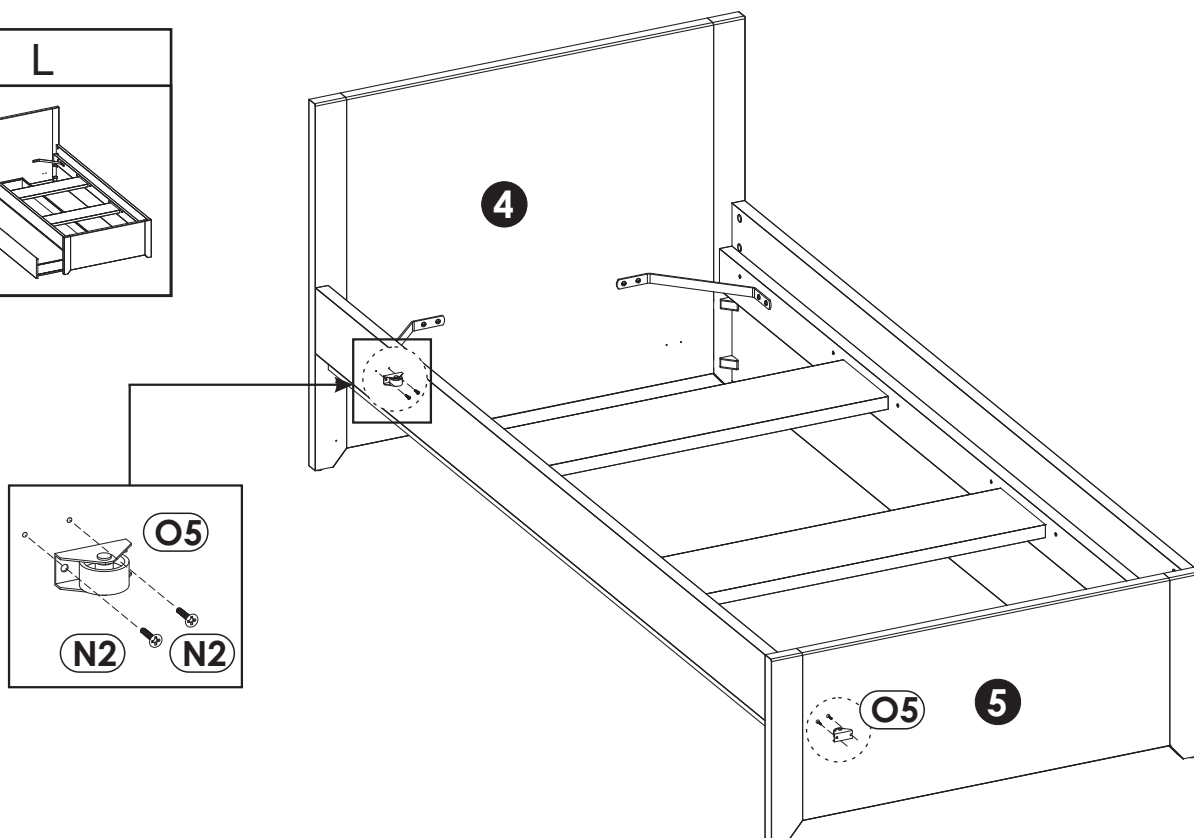
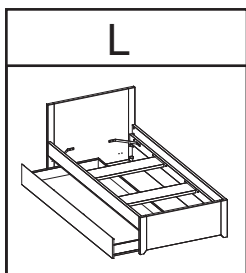
11 ▶



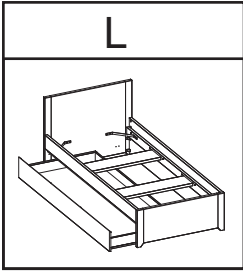
12▶



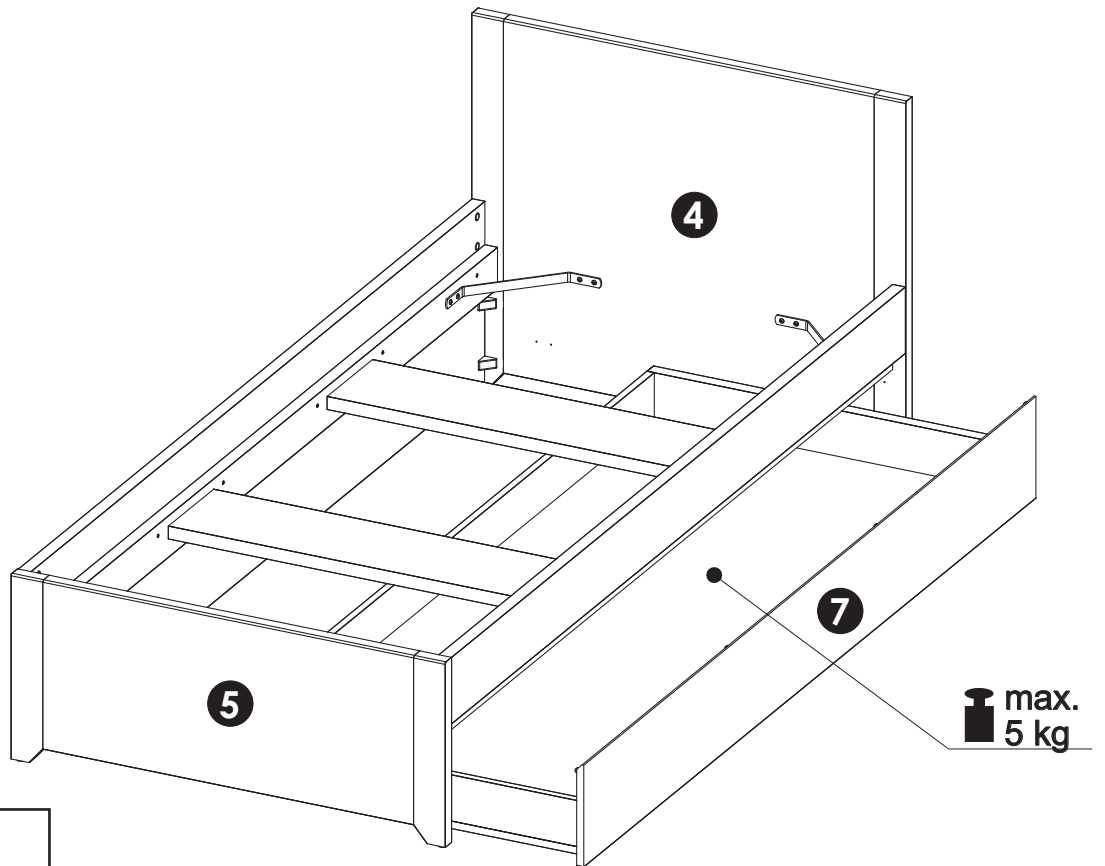
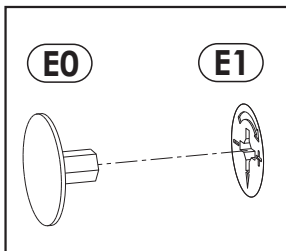
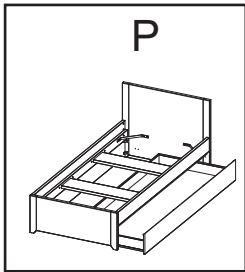
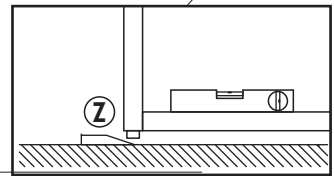
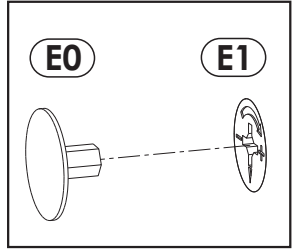
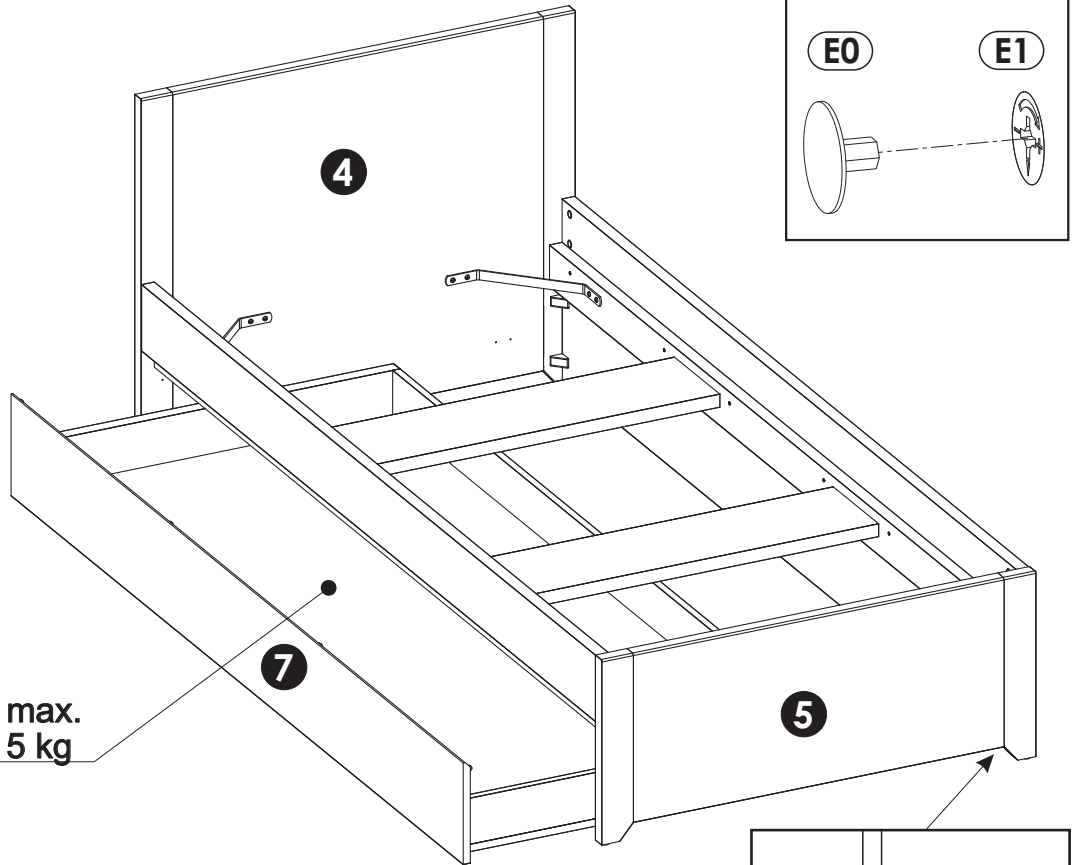
# 13 ▶



14▶



max.  
5 kg



max.  
5 kg

